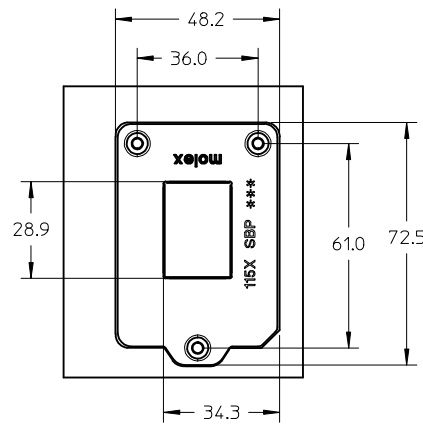
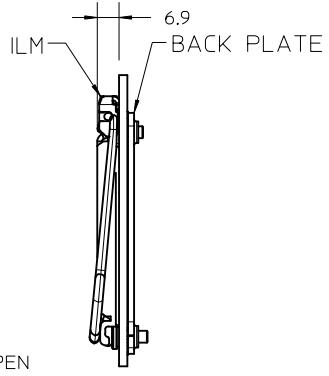
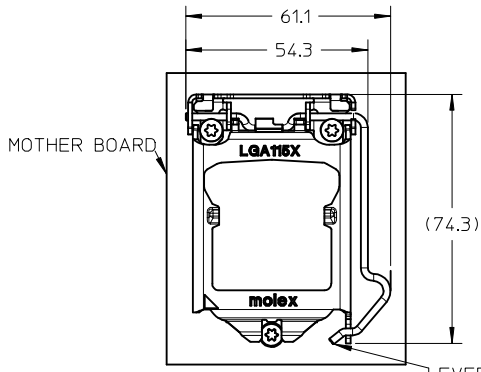


10 9 8 7 6 5 4 3 2 1



LEVER POSITION:OPEN
PUSH LEVER OUT
TO UNLOCK

SOCKET 115X AND BACK PLATE ①	
PART NO.	(1)47596-8834 (2)47596-8835

ILM ASSEMBLY ②	
PART NO.	(1)47596-8855 (2)47596-8855

BACK PLATE ③	
PART NO.	(1)47596-8833 (2)47596-8838

BILL OF MATERIAL		
ITEM NO	QTY	DESCRIPTION
①	1	115X ILM AND BACK PLATE ASSY(47596-***34/-***35)
②	1	115X ILM (WITHOUT COVER) ASSEMBLY (47596-***55)
③	1	115X BACK PLATE ASSY W/SCREWS (47596-***33/**38)

NOTES
1.PARTS ARE HALOGEN FREE.
2.PARTS ARE COMPLIANT TO RoHS DIRECTIVE 2002/95/EC
AND ELV 2000/53/EC.

47596-8835	2.00(0.079")	WITHOUT ILM COVER
47596-8834	1.57(0.062")	
PART NO.	PCB THICKNESS	DESCRIPTION

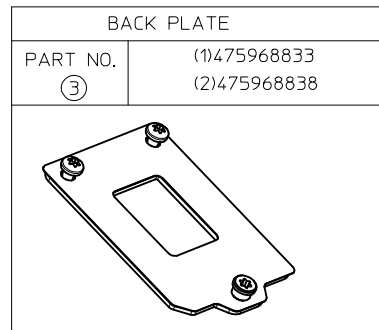
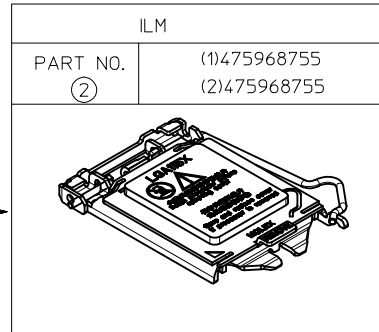
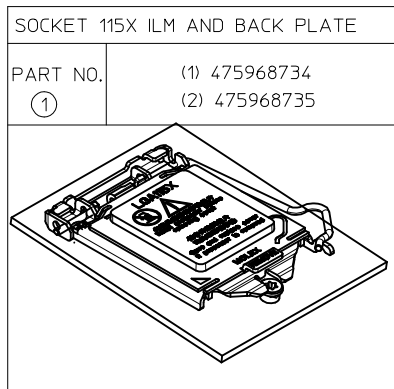
ENTER DESCRIPTION
EC NO: SH2013-0356
DRWN:YXZHENG 2013/04/23
CHKD:AYIN 2013/04/23
APPR:AYIN 2013/05/14

QUALITY SYMBOLS	GENERAL TOLERANCES (UNLESS SPECIFIED)	
	mm	INCH
$F_A=0$	4 PLACES \pm ---	\pm ---
$F_C=0$	3 PLACES \pm ---	\pm ---
$F_E=0$	2 PLACES \pm 0.15	\pm ---
	1 PLACE \pm 0.25	\pm ---
	ANGULAR $\pm 1/2^\circ$	
	DRAFT WHERE APPLICABLE MUST REMAIN WITHIN DIMENSIONS	

DIMENSION STYLE		SCALE	DESIGN UNITS	THIRD ANGLE PROJECTION
MM ONLY		1:1.5	METRIC	
DRAWN BY	DATE	TITLE		
JZHANG11	2010/12/10	115X ILM AND BACK PLATE ASSEMBLY		
CHECKED BY	DATE			
AYIN	2010/12/10	MOLEX INCORPORATED		
APPROVED BY	DATE			
AYIN	2010/12/10	SD-47596-934		
MATERIAL NO.	DOCUMENT NO.			
SEE TABLE		SHEET NO. 1 OF 2		

THIS DRAWING CONTAINS INFORMATION THAT IS PROPRIETARY TO MOLEX INCORPORATED AND SHOULD NOT BE USED WITHOUT WRITTEN PERMISSION

9 8 7 6 5 4 3 2 1



BILL OF MATERIAL		
ITEM NO	QTY	DESCRIPTION
	1	TOP ASSY
①	1	115X ILM AND BACK PLATE ASSY
②	1	115X ILM (WITH COVER) ASSEMBLY
③	1	115X BACK PLATE ASSY W/SCREWS

47596-8735	2.00(0.079")	WITH ILM COVER
47596-8734	1.57(0.062")	
PART NO.	PCB THICKNESS	DESCRIPTION

ENTER DESCRIPTION	DESCRIPTION
EC NO: SHZ013-0356	
DRWN:YXZHENG	
CHKD:AYIN	
APPR:AYIN	

QUALITY SYMBOLS	DESCRIPTION
$F_A=0$	
$F_G=0$	
$F_P=0$	

GENERAL TOLERANCES (UNLESS SPECIFIED)	
	mm INCH
4 PLACES	\pm --- \pm ---
3 PLACES	\pm --- \pm ---
2 PLACES	\pm 0.15 \pm ---
1 PLACE	\pm 0.25 \pm ---
ANGULAR \pm 1/2°	
DRAFT WHERE APPLICABLE MUST REMAIN WITHIN DIMENSIONS	

DIMENSION STYLE	
MM ONLY	
DRAWN BY	DATE
JZHANG11	2010/12/10
CHECKED BY	DATE
AYIN	2010/12/10
APPROVED BY	DATE
AYIN	2010/12/10
MATERIAL NO.	DOCUMENT NO.
SEE TABLE	SD-47596-934

SCALE	DESIGN UNITS	THIRD ANGLE PROJECTION
1:1	METRIC	
TITLE		
115X ILM AND BACK PLATE ASSEMBLY		
MOLEX INCORPORATED		
MATERIAL NO.		SHEET NO.
SEE TABLE		2 OF 2
THIS DRAWING CONTAINS INFORMATION THAT IS PROPRIETARY TO MOLEX INCORPORATED AND SHOULD NOT BE USED WITHOUT WRITTEN PERMISSION		