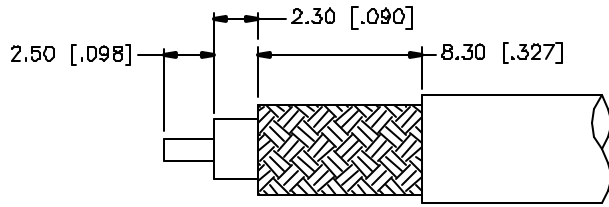
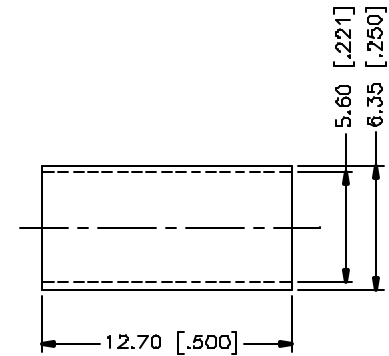
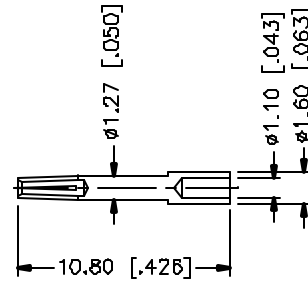
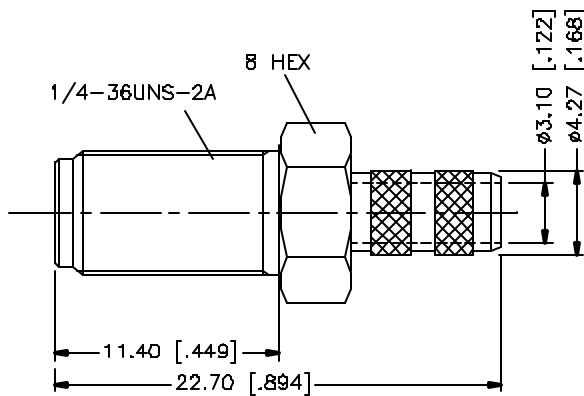


REV.	DATE	DESCRIPTION
NC	02/13/98	INITIAL RELEASE
A	05/01/04	UPDATE DRAWING FORMAT



RECOMMENDED CABLE STRIPPING DIMS.



8				
7				
6				
5				
4	FERRULE	COPPER	GOLD	1
3	CONTACT PIN	BER. COPPER	GOLD	1
2	INSULATOR	TEFLON	NATURAL	1
1	BODY	BRASS	GOLD	1
	DESCRIPTION	MATERIAL	FINISH	QTY

UNLESS OTHERWISE SPECIFIED DIMENSIONS ARE IN MILLIMETERS. DIMENSIONS IN ( ) ARE IN INCHES AND FOR CUSTOMER REFERENCE ONLY.

UNLESS OTHERWISE SPECIFIED TOLERANCES FOR MILLIMETERS ARE:  
 0.5 - 8mm ± 0.20mm  
 8 - 30mm ± 0.40mm  
 30 - 120mm ± 0.50mm

UNLESS OTHERWISE SPECIFIED TOLERANCES FOR INCHES ARE:  
 .020 - .315 = ± 0.007"  
 .315 - 1.180 = ± 0.015"  
 1.180 - 4.724 = ± 0.020"

DO NOT SCALE DRAWING

APPROVALS		DATE
DRAWN	G.R.S.	05/01/04
CHECKED		
ISSUED		
SHEET	1 OF 1	
CAD FILE	C:/132/132197.DWG	

<b>Amphenol Connex</b>			
PART DESCRIPTION <b>SMA CRIMP JACK (FOR 223/U CABLE)</b>			
PART NO. <b>132197</b>			
DWG. NO.	132197.DWG	REV. A	SIZE A
		SCALE	NA