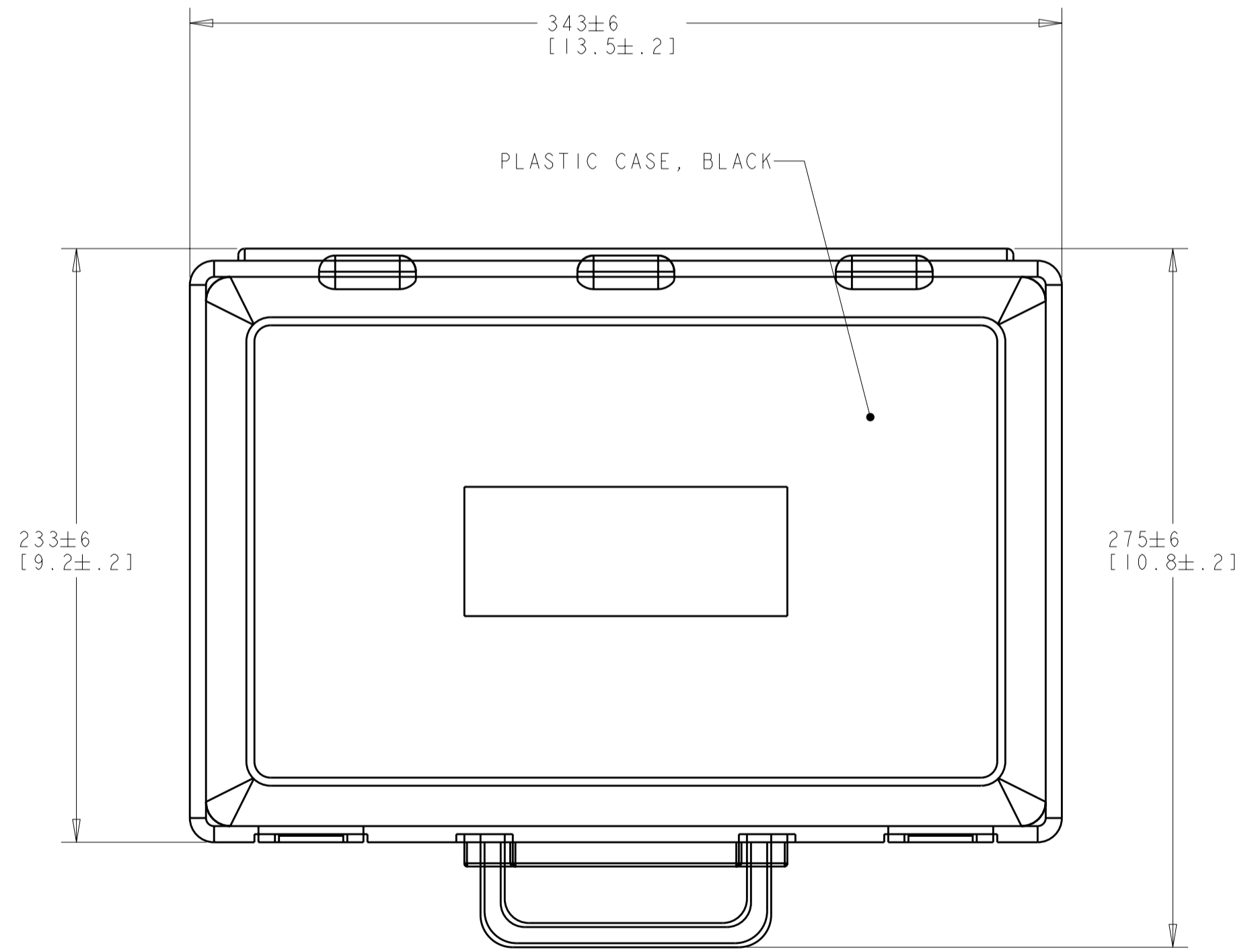
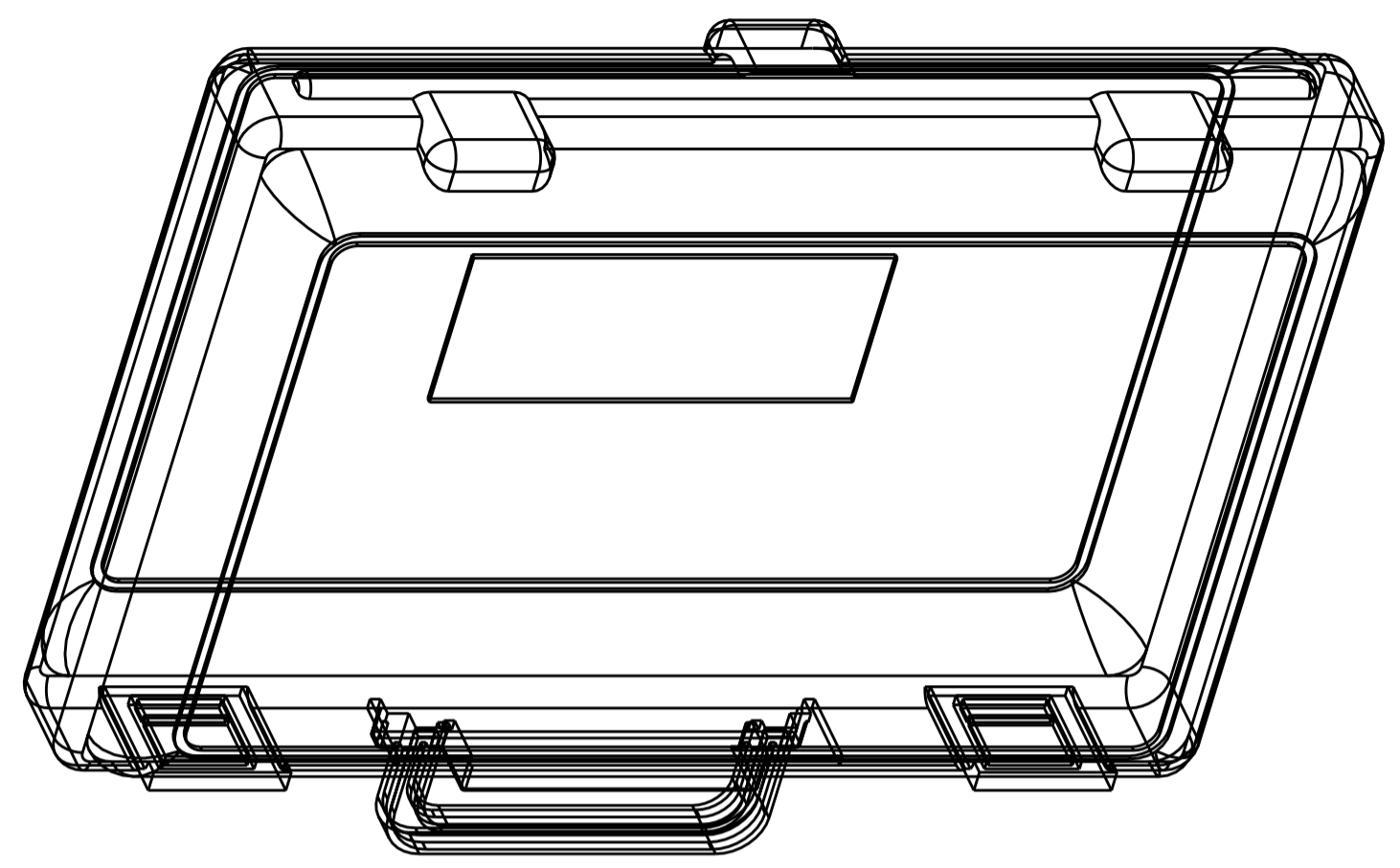
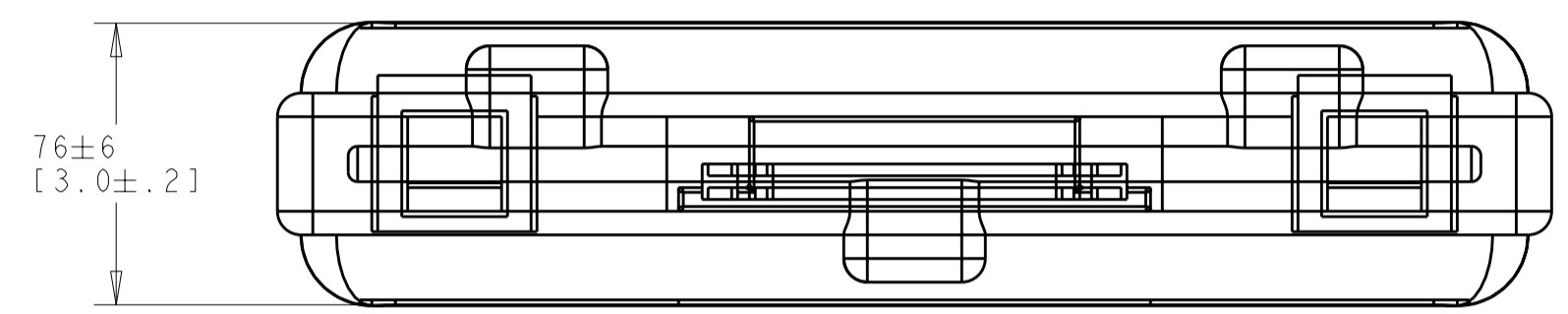


THIS DRAWING IS UNPUBLISHED. RELEASED FOR PUBLICATION .19
 © COPYRIGHT 19 BY AMP INCORPORATED. ALL RIGHTS RESERVED.

LOC	DIST	REVISIONS					
		F	LTR	DESCRIPTION	DATE	DWN	APVD
CE	00		A	REV PER 0B60-0031-01	04JUN2001	BB	DK
			B	REVISE PER 0A00-0138-01	13AUG2001	BB	DK
			C	REVISE PER ECR-06-014872	20JUN2006	BB	DK



1. 1278862-1 INCLUDES MT-RJ ADAPTER (1), MT-RJ TO SC SIMPLEX CABLE ASSEMBLY (2), MT-RJ(PINS) TO SC SIMPLEX CABLE ASSEMBLY (1), MT-RJ TO MT-RJ CABLE ASSEMBLY (1), AND 62.5/125 MANDREL (2).
2. 1278862-2 INCLUDES MT-RJ ADAPTER (1), MT-RJ TO ST SIMPLEX CABLE ASSEMBLY (2), MT-RJ (PINS) TO ST SIMPLEX CABLE ASSEMBLY (1), MT-RJ TO MT-RJ CABLE ASSEMBLY (1) AND 62.5/125 MANDREL (2).
3. 1278862-3 INCLUDES MT-RJ TO MT-RJ CABLE ASSEMBLY (2), AND 62.5/125 MANDREL (2).
4. 1278862-4 INCLUDES MT-RJ ADAPTER (1), MT-RJ (SECURE HOUSING) TO SC SIMPLEX CABLE ASSEMBLY (2), MT-RJ (PINS) TO SC SIMPLEX CABLE ASSEMBLY (1), MT-RJ (SECURE HOUSING) TO MT-RJ CABLE ASSEMBLY (1), AND 62.5/125 MANDREL (2).
5. 1278862-5 INCLUDES MT-RJ ADAPTER (1), MT-RJ (SECURE HOUSING) TO ST SIMPLEX CABLE ASSEMBLY (2), MT-RJ (PINS) TO ST SIMPLEX CABLE ASSEMBLY (1), MT-RJ (SECURE HOUSING) TO MT-RJ CABLE ASSEMBLY (1), AND 62.5/125 MANDREL (2).
6. 1278862-6 INCLUDES MT-RJ (SECURE HOUSING) TO MT-RJ CABLE ASSEMBLY (2), AND 62.5/125 MANDREL (2).

TEST EQUIPMENT CONNECTION	PART NUMBER
MT-RJ	1278862-6
ST SIMPLEX	1278862-5
SC SIMPLEX	1278862-4
MT-RJ	1278862-3
ST SIMPLEX	1278862-2
SC SIMPLEX	1278862-1

<small>THIS DRAWING IS A CONTROLLED DOCUMENT FOR AMP INCORPORATED. IT IS SUBJECT TO CHANGE AND THE CONTROLLING ENGINEERING ORGANIZATION SHOULD BE CONTACTED FOR THE LATEST REVISION.</small>		DWN D. PULEO 22SEP99 CHK R. GALLAGHER 22SEP99 APVD B. EDWARDS 22SEP99	AMP AMP Incorporated Harrisburg, PA 17105-3608
DIMENSIONS: mm [INCHES]	TOLERANCES UNLESS OTHERWISE SPECIFIED: 0 PLC ±- 1 PLC ±- 2 PLC ±- 3 PLC ±- 4 PLC ±- ANGLES ±- FINISH -	PRODUCT SPEC - APPLICATION SPEC - WEIGHT -	NAME MT-RJ TEST CABLE KIT, 62.5/125um SIZE A2 CAGE CODE 00779 DRAWING NO 1278862
MATERIAL -		CUSTOMER DRAWING	SCALE NTS SHEET 1 OF 1 REV C