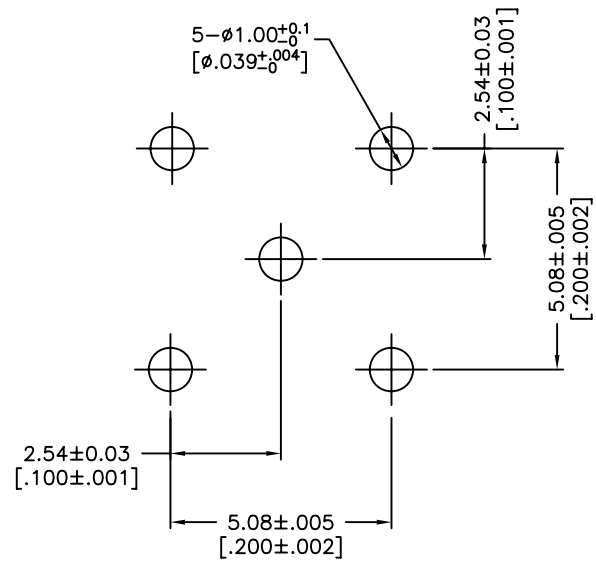
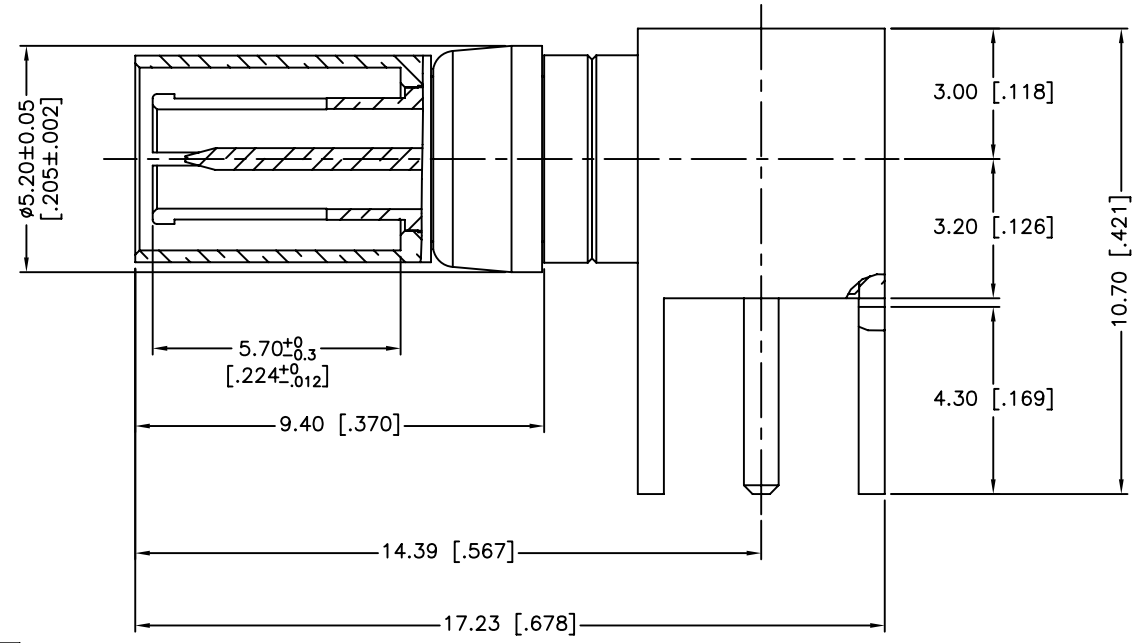
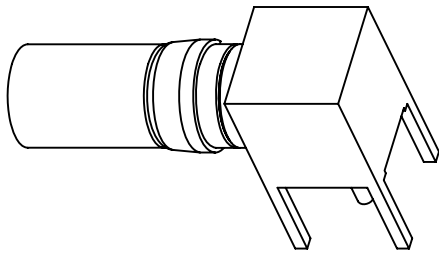
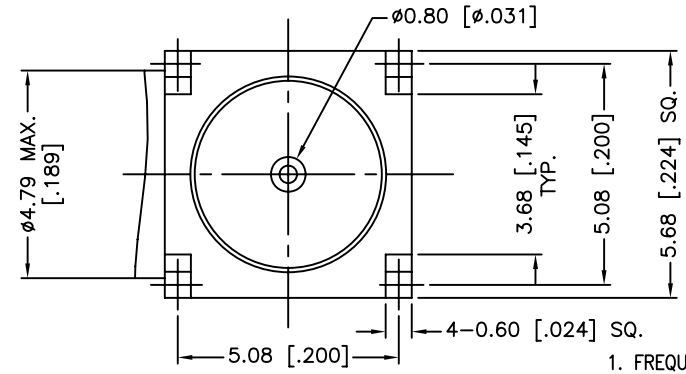


REV.	DATE	ECR NO.	DESCRIPTION
NC	05/13/11	XXXXXX	INITIAL RELEASE



RECOMMENDED MOUNTING HOLE



1. FREQUENCY RANGE: DC 0-4 GHz
2. VSWR(RETURN LOSS): 1.10, MAX.

DESCRIPTION	MATERIAL	FINISH	QTY
6 HOUSING	BRASS	GOLD	1
5 INSULATOR	PTFE	NATURAL	1
4 RETAINER RING	BER. COPPER	BRIGHT TIN	1
3 CONTACT PIN	BRASS	GOLD	1
2 OUT CONTACT	BER. COPPER	GOLD	1
1 BODY	BRASS	GOLD	1

UNLESS OTHERWISE SPECIFIED DIMENSIONS ARE IN MILLIMETERS. DIMENSIONS IN [ ] ARE IN INCHES AND FOR CUSTOMER REFERENCE ONLY.

UNLESS OTHERWISE SPECIFIED TOLERANCES FOR MILLIMETERS ARE:  
0.5 - 8mm ± 0.20mm  
8 - 30mm ± 0.40mm  
30 - 120mm ± 0.50mm

UNLESS OTHERWISE SPECIFIED TOLERANCES FOR INCHES ARE:  
.020 - .315 = ± 0.007"  
.315 - 1.180 = ± 0.015"  
1.180 - 4.724 = ± 0.020"

DO NOT SCALE DRAWING

APPROVALS	DATE
DRAWN M.ZHANG	05/13/11
CHECKED	
ISSUED	
SHEET 1 OF 1	
CAD FILE C:/CONNEX/282116-75.DWG	

**Amphenol Connex**

PART DESCRIPTION  
**1.0/2.3 R/A PCB PLUG (75 ohm)**

PART NO.  
**282116-75**

DWG. NO. 282116-75.DWG    REV. NC    SIZE A    SCALE NA