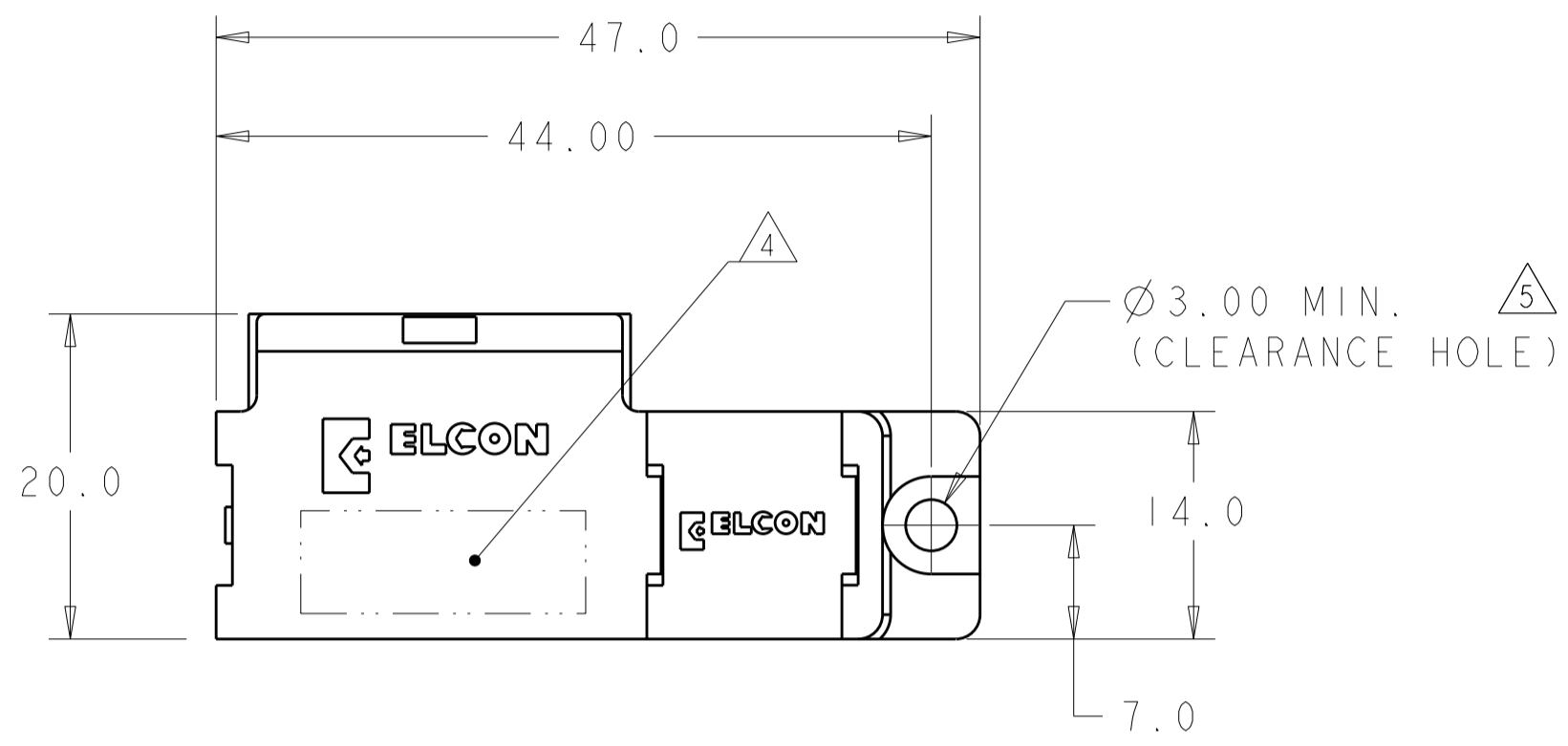


THIS DRAWING IS UNPUBLISHED. RELEASED FOR PUBLICATION 20  
 © COPYRIGHT 20 BY TYCO ELECTRONICS CORPORATION. ALL RIGHTS RESERVED.

LOC	DIST	REVISIONS			
P	LTR	DESCRIPTION	DATE	DWN	APVD
GP	00	A	RELEASED PER ECO-09-019917	01SEP2009	RG MS



1. PART NUMBER CHANGES AND OR DESIGN CHANGES AFFECTING ITEM INTERCHANGEABILITY REQUIRE PRIOR TYCO ELECTRONICS APPROVAL AND AUTHORIZATION BY REVISION TO THIS DRAWING.

2 MATERIAL: INSULATORS - THERMOPLASTIC, GLASS REINFORCED, UL94V-0 FLAMMABILITY RATED. COLOR: BLACK  
 SIGNAL CONTACTS - BRASS ALLOY

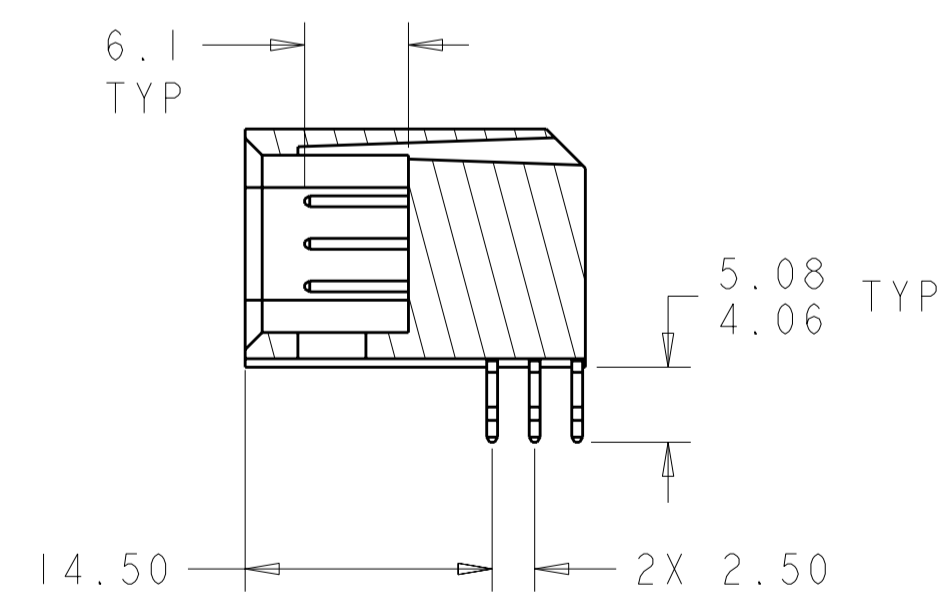
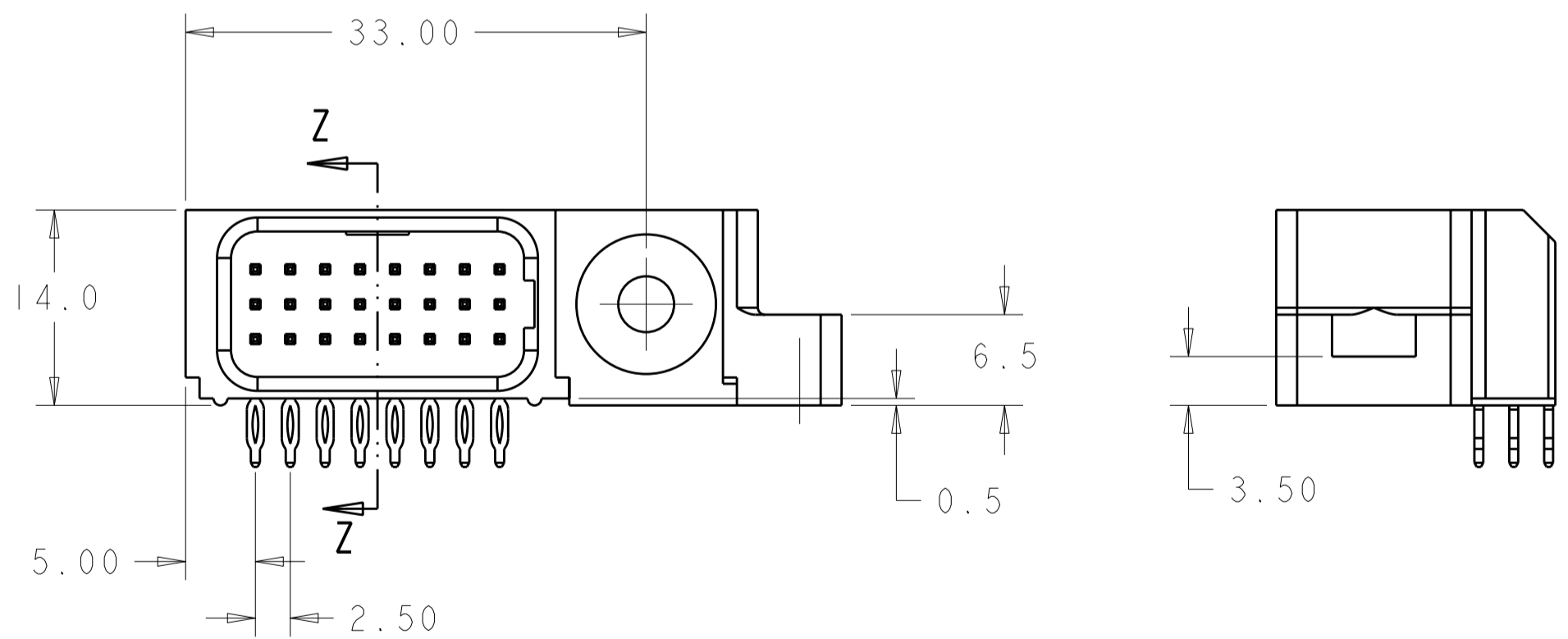
3 FINISH: CONTACTS - GOLD PLATE .76µm MIN. THK. OVER NICKEL  
 1.27µm MIN. THK. SOLDER TAILS TIN, 3.05µm MIN. THK. OVER NICKEL  
 1.27µm MIN. THK

4 ITEMS PROVIDED TO THIS SPECIFICATION TO BE PERMANENTLY IDENTIFIED PER THE FOLLOWING IDENTIFIER LABEL

TYCO ELECTRONICS P/N DATE CODE (e.g. 0106)  
 XXXXXXXX-X YEAR WEEK  
 XXXX

5 MOUNTING FLANGES ACCEPTS M3 OR #4-40 SCREWS (USER SUPPLIED)

6. THIS CONNECTOR MATES WITH P/N 2085120-1



SECTION Z-Z

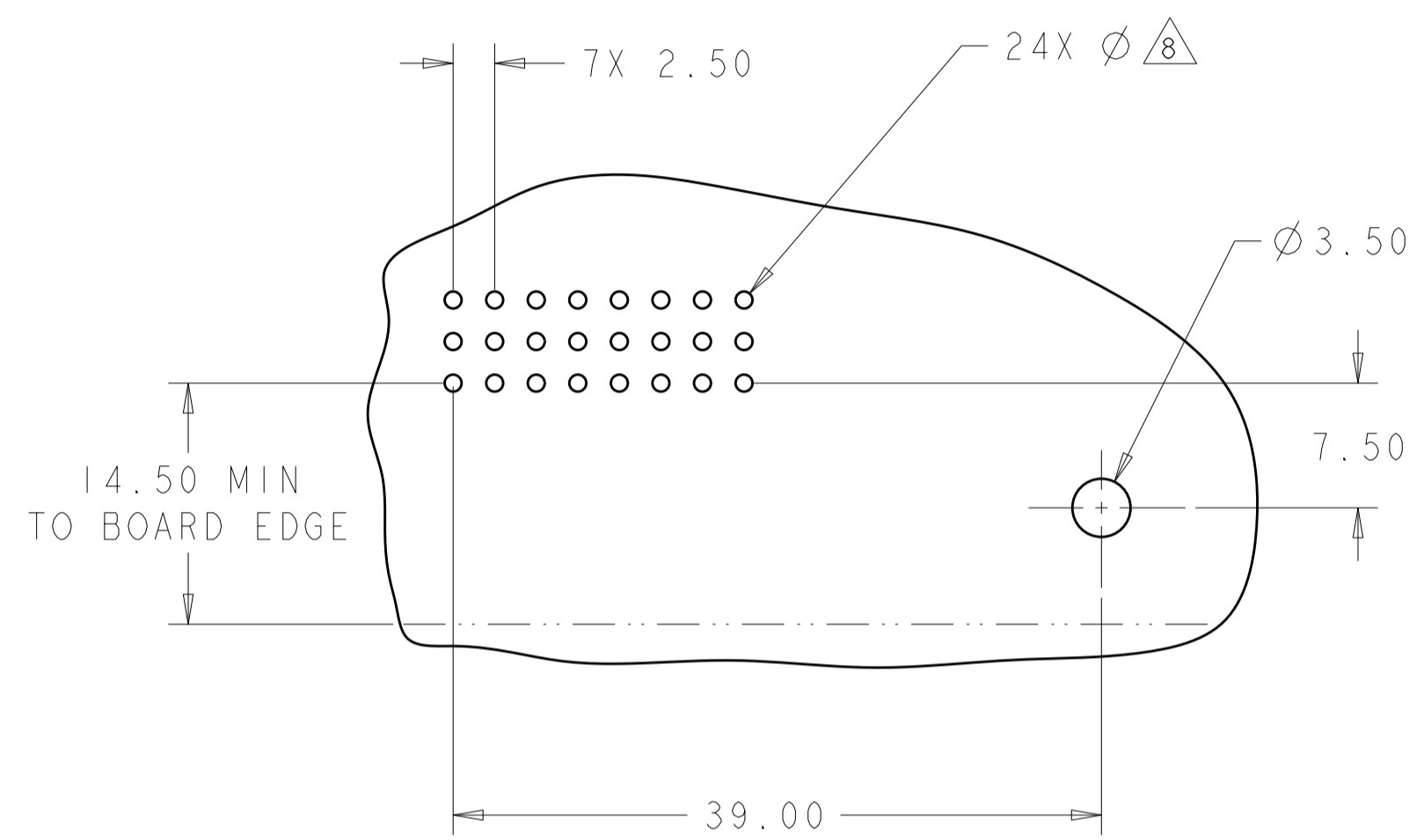
AS SHOWN	2085119-1
DESCRIPTION	PART NUMBER

THIS DRAWING IS A CONTROLLED DOCUMENT FOR TYCO ELECTRONICS CORPORATION. IT IS SUBJECT TO CHANGE AND THE CONTROLLING ENGINEERING ORGANIZATION SHOULD BE CONTACTED FOR THE LATEST REVISION.		DWN R. GRZYBOWSKI 27 JAN 2009
DIMENSIONS: mm		CHK P. DAMATO 27 JAN 2009
TOLERANCES UNLESS OTHERWISE SPECIFIED:		APVD M. PERCHERKE 27 JAN 2009
0 PLC ±.5	1 PLC ±.5	PRODUCT SPEC
2 PLC ±.25	3 PLC ±.	APPLICATION SPEC
4 PLC ±.	ANGLES ±.5	WEIGHT
MATERIAL	FINISH	CUSTOMER DRAWING

Tyco Electronics Harrisburg, PA 17105-3608		NAME	RESTRICTED TO
P/N 2085119-1		PIN CONNECTOR ASSEMBLY RIGHT ANGLE, COMPLIANT TAIL FLATPAQ	-
SIZE	CAGE CODE	DRAWING NO	
A2	00779	C-2085119	
SCALE	SHEET	OF	REV
3:1	1	3	A

THIS DRAWING IS UNPUBLISHED. RELEASED FOR PUBLICATION 20  
 © COPYRIGHT 20 BY TYCO ELECTRONICS CORPORATION. ALL RIGHTS RESERVED.

LOC	DIST	REVISIONS			
P	LTR	DESCRIPTION	DATE	DWN	APVD
GP	00	-	SEE SHEET 1	-	-



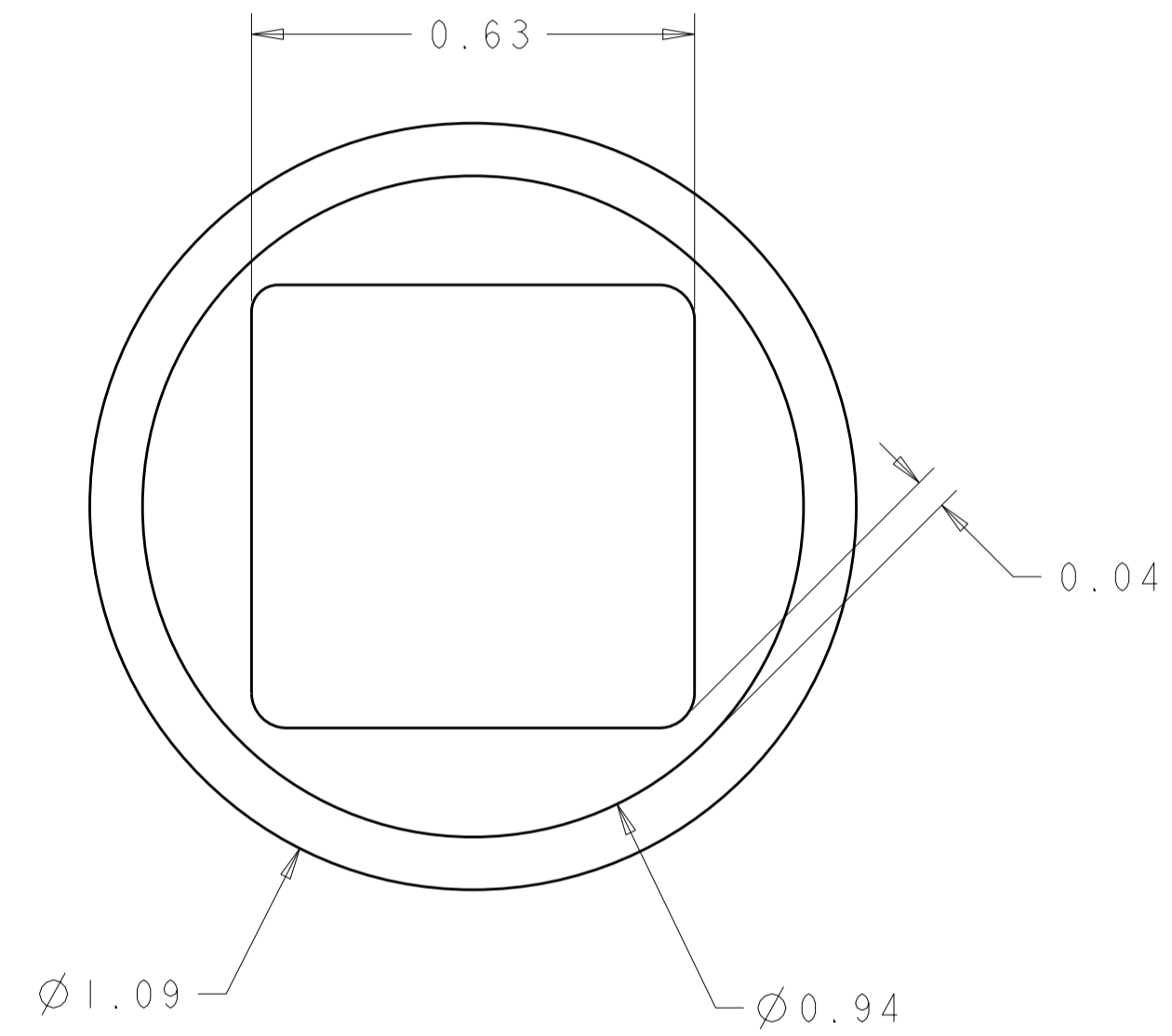
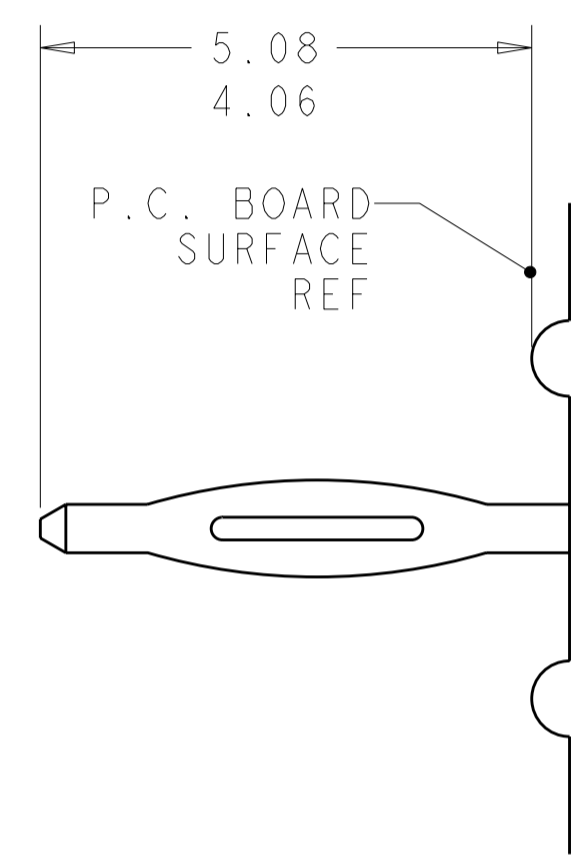
PRINTED CIRCUIT LAYOUT  
 COMPONENT SIDE

CONNECTOR	CATALOG MODULE #	QTY	SIZE NO.	CONTACT QTY	MATING PIN	MAX. CURRENT (PER CONTACT)	CONTACT SPACING	VOLTAGE RATING
PIN	FP402	1	22	24	.64 SQ.	3 amps	2.50	125 VOLTS
	FP506	1	RIGHT ANGLE GUIDE SOCKET					
	FP0501	1	RIGHT MOUNTING FLANGE					

<small>THIS DRAWING IS A CONTROLLED DOCUMENT FOR TYCO ELECTRONICS CORPORATION. IT IS SUBJECT TO CHANGE AND THE CONTROLLING ENGINEERING ORGANIZATION SHOULD BE CONTACTED FOR THE LATEST REVISION.</small>		DWN <b>R. GRZYBOWSKI</b> 27 JAN 2009 CHK <b>P. DAMATO</b> 27 JAN 2009 APVD <b>M. PERCHERKE</b> 27 JAN 2009	<b>Tyco Electronics</b> Tyco Electronics Harrisburg, PA 17105-3608
DIMENSIONS: mm 	TOLERANCES UNLESS OTHERWISE SPECIFIED: 0 PLC ±.5 1 PLC ±.5 2 PLC ±.25 3 PLC ±. 4 PLC ±. ANGLES ±.5 FINISH	PRODUCT SPEC - APPLICATION SPEC - WEIGHT -	NAME <b>PIN CONNECTOR ASSEMBLY          RIGHT ANGLE, COMPLIANT TAIL          FLATPAQ</b>
MATERIAL	-	CUSTOMER DRAWING	SIZE <b>A200779</b> CAGE CODE <b>C-2085119</b> DRAWING NO. RESTRICTED TO -
SCALE 3:1		SHEET 2 OF 3 REV A	

THIS DRAWING IS UNPUBLISHED. RELEASED FOR PUBLICATION 20  
 © COPYRIGHT 20 BY TYCO ELECTRONICS CORPORATION. ALL RIGHTS RESERVED.

LOC	DIST	REVISIONS			
P	LTR	DESCRIPTION	DATE	DWN	APVD
GP	00	-	SEE SHEET 1	-	-



7. COMPLIANT PIN DETAIL  
 INSERTION/EXTRACTION FORCES  
 MAXIMUM PUSH IN: 133.3N PER PIN [30 LBS]  
 MINIMUM PUSH OU: 44.4N PER PIN [10 LBS]

8. SOLDER TERMINATION AREA  
 SCALE 40:1  
 RECOMMENDED PRINTED CIRCUIT HOLE COMPLIANT PRESS FIT  
 FINISHED HOLE: Ø 1.02 ± .08  
 DRILLED HOLE: Ø 1.15 ± .013  
 COPPER PLATE: .025 TO .050  
 TIN PLATE: .0005 MIN. (PER SURFACE)

THIS DRAWING IS A CONTROLLED DOCUMENT FOR TYCO ELECTRONICS CORPORATION. IT IS SUBJECT TO CHANGE AND THE CONTROLLING ENGINEERING ORGANIZATION SHOULD BE CONTACTED FOR THE LATEST REVISION.		DWN R. GRZYBOWSKI 27 JAN 2009	Tyco Electronics Harrisburg, PA 17105-3608	
DIMENSIONS: mm		CHK P. DAMATO 27 JAN 2009	NAME PIN CONNECTOR ASSEMBLY RIGHT ANGLE, COMPLIANT TAIL FLATPAQ	
TOLERANCES UNLESS OTHERWISE SPECIFIED: 0 PLC ± .5 1 PLC ± .5 2 PLC ± .25 3 PLC ± . 4 PLC ± . ANGLES ± .5 FINISH		APVD M. PERCHERKE 27 JAN 2009	SIZE A200779	DRAWING NO C-2085119
MATERIAL		PRODUCT SPEC - APPLICATION SPEC -	RESTRICTED TO -	
-		WEIGHT -	SCALE 3:1	SHEET 3 OF 3 REV A
		CUSTOMER DRAWING		