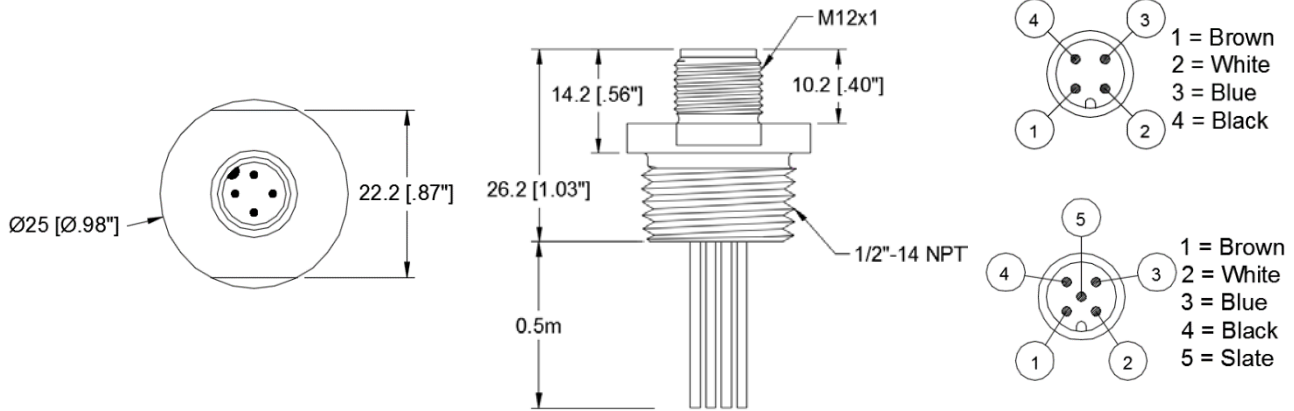


Drawing



Technical Data

Mechanical

| | |
|--------------------------|---|
| Receptacle Style | M12, Male |
| Applicable Specification | IEC 61076-2-101 |
| Receptacle Threads | External |
| Housing | Aluminum, Anodized Blue, Leads Epoxy Potted |
| Insert | Nylon |
| Contact | Copper Alloy, Gold Plated |
| Mounting Orientation | 1/2" 14-NPT |
| Panel Nut | Nickel Plated Brass |
| O-Ring | FKM |

Electrical

| | |
|---------------------------|--|
| Contact Resistance | ≤ 5 mΩ |
| Nom. Current @ 40°C | 4 A |
| Rated Voltage | 4 Pole 250 V (IEC) 300V (UL) 5 Pole 60 V (IEC) 30V (UL) |
| UL File | E485156 |

Lead Wires

| | |
|--------------------|-----------------------------|
| AWG | 22 AWG (7/30) Tinned Copper |
| Insulation | PVC |
| Outside Diameter | 0.062" Nominal |
| Lead Length | 0.5 Meters (19.7") |
| UL Style | AWM 1007 & 1569 |
| CSA Style | TR64 |

Environmental

| | |
|----------------------|----------------|
| Degree of Protection | IP 67/ NEMA 6P |
|----------------------|----------------|

Issue: 1 Issue Date: 8/8/2016 Effective Date: 8/8/2016

| | | |
|---------------------------------|--|-----------------|
| Operating Temperature Range | -25C (-13F)/ +90C (+194F) | |
| CE | All materials used in the manufacture of this part meet the requirements of European Directive 2011/65/EU regarding the restriction of use of certain hazardous substances in electrical and electronic equipment. Exemption used; 6a. | |
| REACH Regulation (EC 1907/2006) | This product does not contain Substances of Very High Concern (SVHC) listed on the European Union’s REACH candidate list in excess of 0.1% mass of the item. | |
| Ordering Information | | |
| | Description | Quantity |
| 300DCN NC404 | 4 Pin | Each |
| 302DCN NC404 | 5 Pin | Each |

Although Alpha Wire (“Alpha”) makes every reasonable effort to ensure their accuracy at the time of this publication, information and specifications described herein are subject to error or omission and to change without notice, and the listing of such information and specifications does not ensure product availability. Alpha provides the information and specification herein on an “AS IS” basis, with no representations or warranties, whether express, statutory or implied. In no event will Alpha be liable any damages (including consequential, indirect, incidental, special, punitive, or exemplary damages) whatsoever, even if Alpha has been advised of the possibility of such damages, whether in an action under contract, negligence or any other theory, arising out of or in connection with the use, or inability to use, the information or specification described herein.