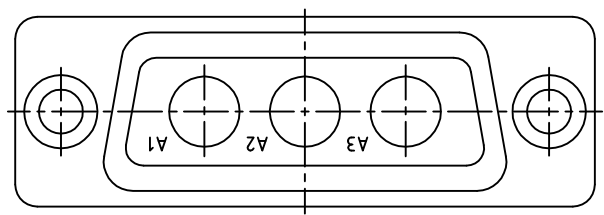
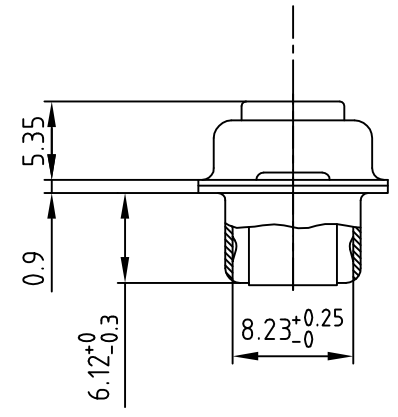
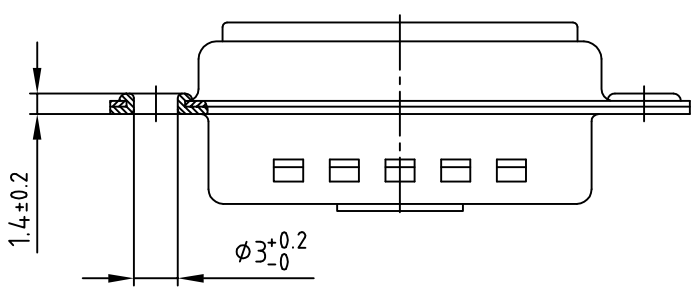
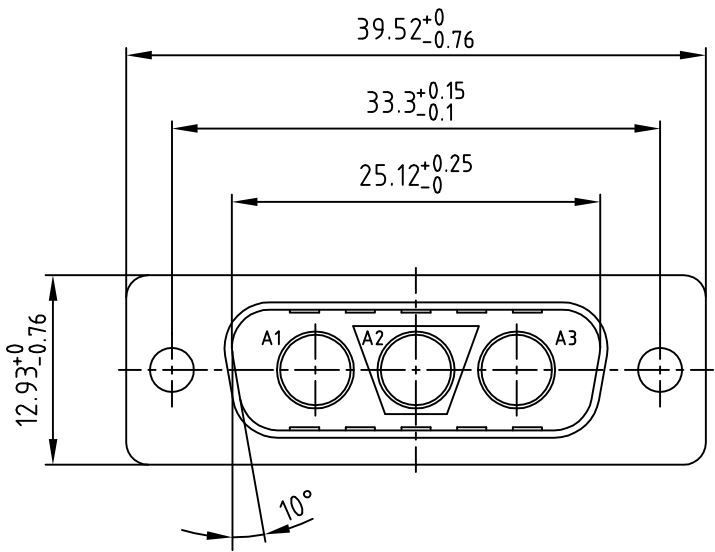


used for: D-SUB COMBINATION



G:\RoHS_Compliant_gross_0001.jpg

- NOTES:
 1. METALSHELLS: STEEL: TIN PLATED
 2. INSULATOR: PBT GF UL 94 V-0; GREEN

THIS DRAWING MAY NOT BE COPIED OR REPRODUCED IN ANY WAY, AND MAY NOT BE PASSED ON TO A THIRD PARTY WITHOUT WRITTEN PERMISSION.
 OWNERSHIP AND COPYRIGHT OF CONEC GmbH
 DO NOT ALTER CAD DRAWING BY HAND

rev.	description	date	name	tolerance	
				1999	date
				drawn	29.03. Barcinski
				appd.	29.03. Mickenbecker
				norm	
				d-old	
				CONEC®	

scale:	2:1	
material:	SEE NOTES	
title:	D-SUB COMBINATION MALE 3W3CP WITHOUT CONTACTS	
dwg no:	CAD/ REL.14	DIN-A
	13K1108A	4
product no:	303W3CPXX99A10X	
		sh: 1/1