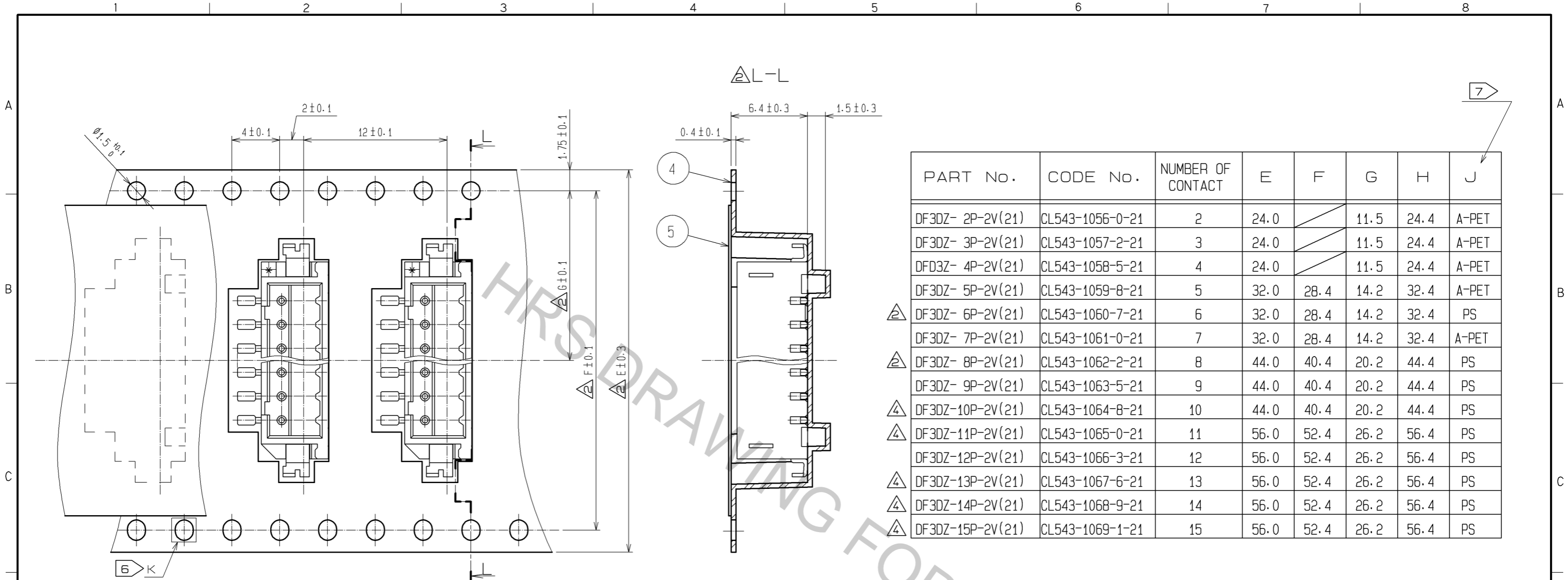


PART No.	CODE No.	A	B	C	D
DF3DZ- 2P-2V(21)	CL543-1056-0-21	4.6	2.0	8.5	8.74
DF3DZ- 3P-2V(21)	CL543-1057-2-21	6.6	4.0	10.5	10.74
DF3DZ- 4P-2V(21)	CL543-1058-5-21	8.6	6.0	12.5	12.74
DF3DZ- 5P-2V(21)	CL543-1059-8-21	10.6	8.0	14.5	14.74
DF3DZ- 6P-2V(21)	CL543-1060-7-21	12.6	10.0	16.5	16.74
DF3DZ- 7P-2V(21)	CL543-1061-0-21	14.6	12.0	18.5	18.74
DF3DZ- 8P-2V(21)	CL543-1062-2-21	16.6	14.0	20.5	20.74
DF3DZ- 9P-2V(21)	CL543-1063-5-21	18.6	16.0	22.5	22.74
DF3DZ- 10P-2V(21)	CL543-1064-8-21	20.6	18.0	24.5	24.74
DF3DZ- 11P-2V(21)	CL543-1065-0-21	22.6	20.0	26.5	26.74
DF3DZ- 12P-2V(21)	CL543-1066-3-21	24.6	22.0	28.5	28.74
DF3DZ- 13P-2V(21)	CL543-1067-6-21	26.6	24.0	30.5	30.74
DF3DZ- 14P-2V(21)	CL543-1068-9-21	28.6	26.0	32.5	32.74
DF3DZ- 15P-2V(21)	CL543-1069-1-21	30.6	28.0	34.5	34.74

2	BRASS	SURFACE:TIN PLATED 1μm min (UNDER PLATING)COPPER PLATED 0.5μm min	5	POLYESTER	CLEAR(COVER TAPE)
1	POLYAMIDE	NATURAL (BEIGE) · UL94V-0	4	J < 7	CLEAR(EMBOSSED CARRIER TAPE)
			3	BRASS	SURFACE:TIN PLATED 1μm min (UNDER PLATING)NICKEL PLATED 1μm min
NO.	MATERIAL	FINISH . REMARKS	NO.	MATERIAL	FINISH . REMARKS
UNITS		SCALE	COUNT	DESIGNED	CHECKED
mm		5 : 1	10	KT. ISHII	TS. KUMAZAWA
DESCRIPTION OF REVISIONS		DATE		DATE	
DIS-H-003373		05.01.05		08.10.21	
APPROVED : KJ. KATAYOSE			DRAWING NO. EDC3-305938-11		
CHECKED : KI. AKIYAMA			PART NO. DF3DZ-*P-2V(21)		
DESIGNED : TH. ARAI			CODE NO. CL543-		
DRAWN : TH. ARAI					

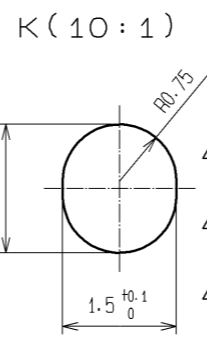
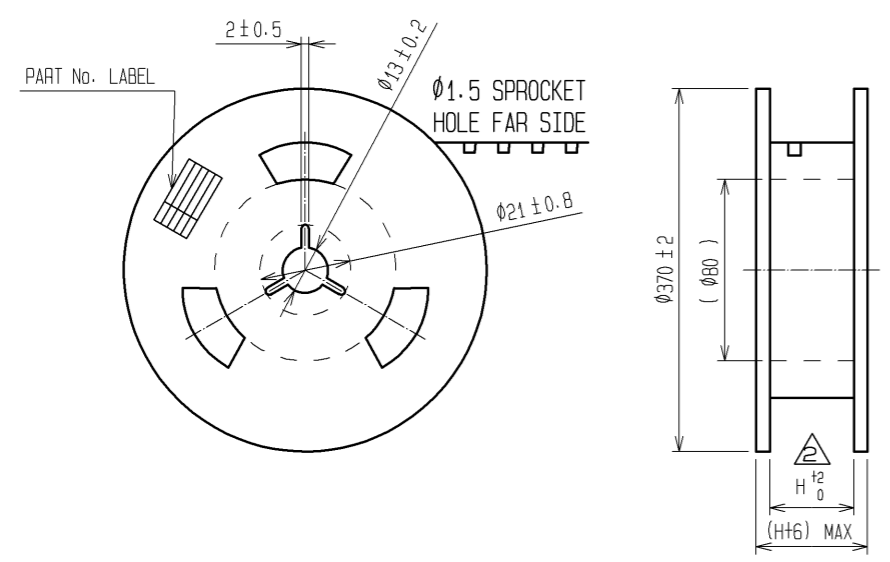


PART No.	CODE No.	NUMBER OF CONTACT	E	F	G	H	J
DF3DZ- 2P-2V(21)	CL543-1056-0-21	2	24.0		11.5	24.4	A-PET
DF3DZ- 3P-2V(21)	CL543-1057-2-21	3	24.0		11.5	24.4	A-PET
DFD3Z- 4P-2V(21)	CL543-1058-5-21	4	24.0		11.5	24.4	A-PET
DF3DZ- 5P-2V(21)	CL543-1059-8-21	5	32.0	28.4	14.2	32.4	A-PET
DF3DZ- 6P-2V(21)	CL543-1060-7-21	6	32.0	28.4	14.2	32.4	PS
DF3DZ- 7P-2V(21)	CL543-1061-0-21	7	32.0	28.4	14.2	32.4	A-PET
DF3DZ- 8P-2V(21)	CL543-1062-2-21	8	44.0	40.4	20.2	44.4	PS
DF3DZ- 9P-2V(21)	CL543-1063-5-21	9	44.0	40.4	20.2	44.4	PS
DF3DZ-10P-2V(21)	CL543-1064-8-21	10	44.0	40.4	20.2	44.4	PS
DF3DZ-11P-2V(21)	CL543-1065-0-21	11	56.0	52.4	26.2	56.4	PS
DF3DZ-12P-2V(21)	CL543-1066-3-21	12	56.0	52.4	26.2	56.4	PS
DF3DZ-13P-2V(21)	CL543-1067-6-21	13	56.0	52.4	26.2	56.4	PS
DF3DZ-14P-2V(21)	CL543-1068-9-21	14	56.0	52.4	26.2	56.4	PS
DF3DZ-15P-2V(21)	CL543-1069-1-21	15	56.0	52.4	26.2	56.4	PS

→ DIRECTION OF UNREELING

- NOTES
- 1 REEL 1000 CONNECTORS.
 - AT THE BEGINNING OF THE REEL, 30 COMPONENTS SHALL BE EMPTY. AT THE END OF THI REEL, 20 COMPONENTS SHALL BE EMPTY.
 - WHEN THE TAPE WIDTH IS 32 OR 44 OR 56 mm, SPROCKET HOLES SHALL BE SET ON BOTH SIDES OF REEL AS SHOWN ON THIS DRAWING.
 - THE MATERIAL OF THE EMBOSSED CARRIER TAPE REFERS TO THE TABLE.
 - THE REEL IS POLYETHYLENE PACKAGED WITH AN DRY AGENT INSIDE FOR MOISTURE-PROOF PACKAGING.
 - FOR THE STORAGE OF 168 HOURS OR MORE AFTER OPENING THE PACKAGE, KEEP THE PRODUCTS UNDER MOISTURE PROOF CONDITIONS.
 - EXCEPT ON THE MATING SURFACE, COMPONENT INFLATION DOES NOT AFFECT THE PRODUCTS PERFORMANCE.

STYLE AND DIMENSION OF REEL



SUPPLIER
QUANTITY
PART No.
CODE No.
DATE OF MANUFACTURED

DETAIL OF PART No. LABEL

生産月日	年 月 日
☒番	CL543-****-*-21
品名	DF3DZ-*P-2V(21)
納入数量	1000K□
納入者	ヒロセ電機(株)

HRS	DRAWING NO.	EDC3-305938-11
	PART NO.	DF3DZ-*P-2V(21)
	CODE NO.	CL543-