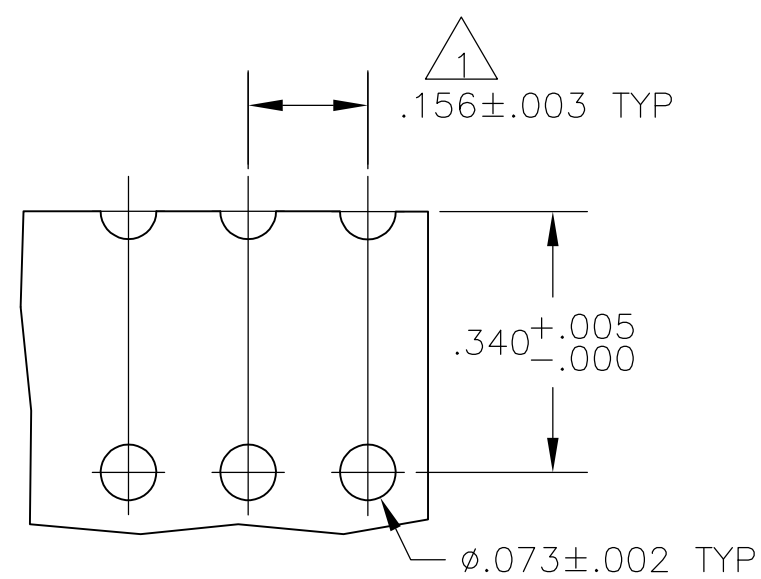
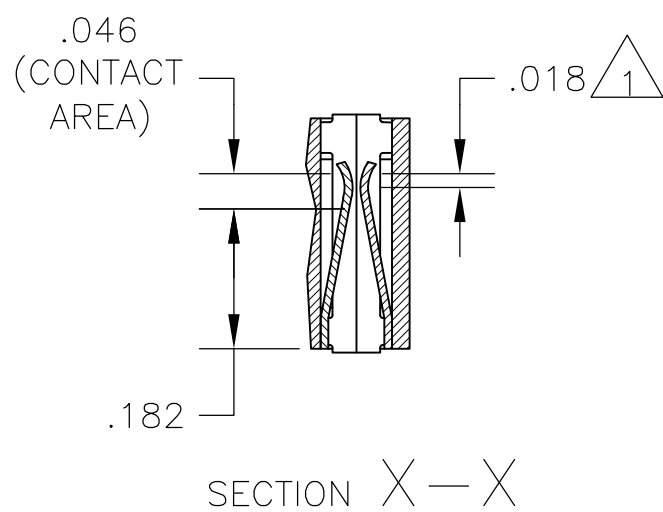
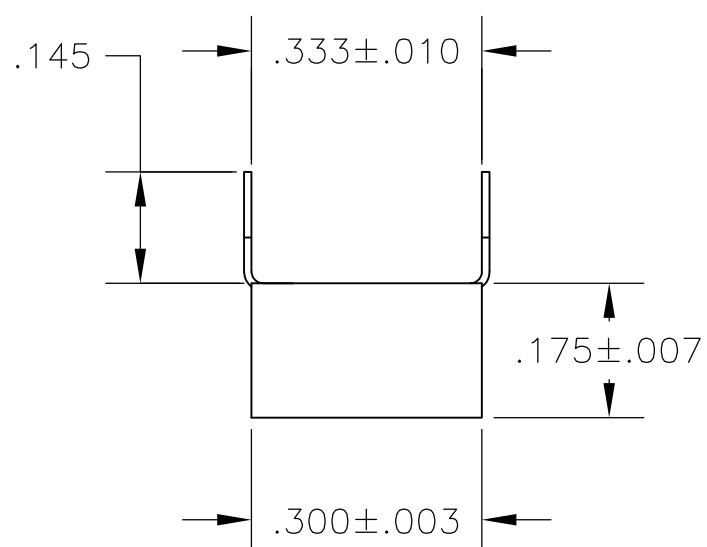
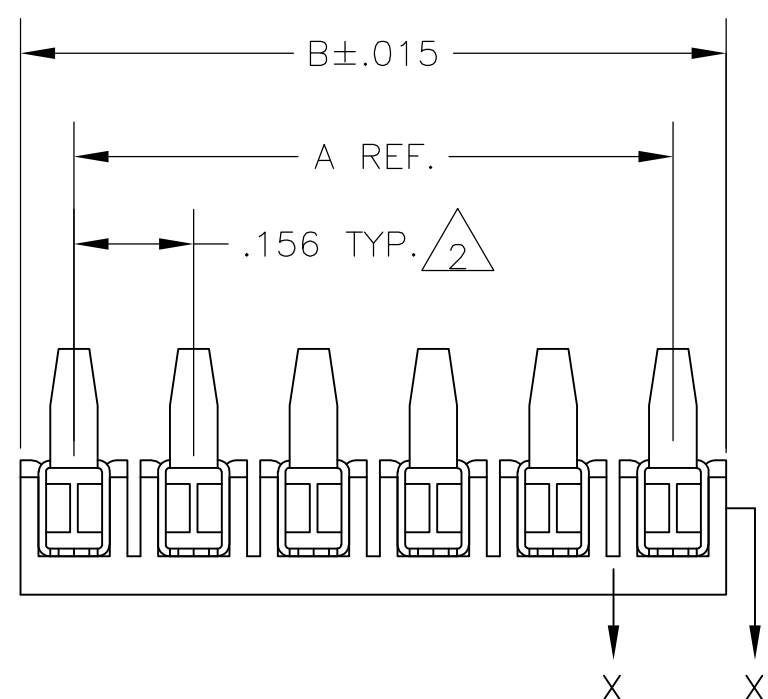
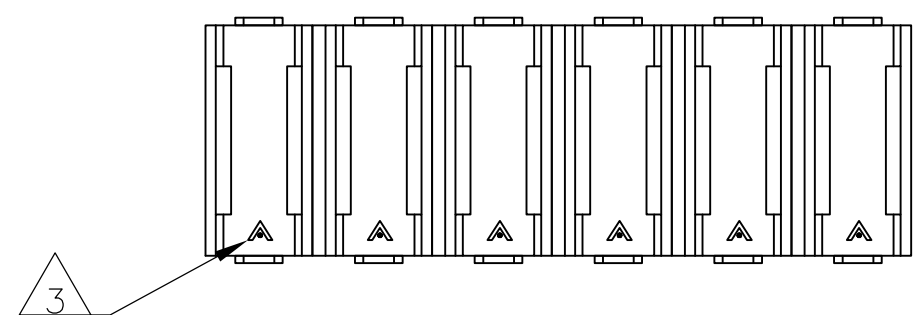


THIS DRAWING IS UNPUBLISHED. RELEASED FOR PUBLICATION  
 © COPYRIGHT BY TYCO ELECTRONICS CORPORATION. ALL RIGHTS RESERVED.

| LOC | DIST | REVISIONS |     |                       |         |     |      |
|-----|------|-----------|-----|-----------------------|---------|-----|------|
| AD  | OO   | P         | LTR | DESCRIPTION           | DATE    | DWN | APVD |
|     |      | K1        |     | REVISED ECO-09-024927 | 06NOV09 | KK  | AEG  |



- 1 POINT OF MEASUREMENT FOR PLATING THICKNESS (INSIDE OF BEAMS).
- 2 TOLERANCE NON-CUMULATIVE.
- 3 THE MATING END OF THE CONTACT IS IDENTIFIED BY THE LETTER "A" STAMPED ON THE RECEPTACLE BOX.
- 4 OBSOLETE PARTS: OBSOLETE CIS STREAMLINING PER D.RENAUD/D.SINISI



|               | B          | A     | NO OF POSN | ASSEMBLY PART NUMBER |
|---------------|------------|-------|------------|----------------------|
| 4 OBSOLETE    | 3.120      | 2.964 | 20         | -2-87988-0           |
|               | 2.964      | 2.808 | 19         | 1-87988-9            |
| 4 OBSOLETE    | 2.808      | 2.652 | 18         | -1-87988-8           |
|               | 2.652      | 2.496 | 17         | 1-87988-7            |
| OBSOLETE<br>4 | 2.496      | 2.340 | 16         | -1-87988-6           |
|               | 2.340      | 2.184 | 15         | -1-87988-5           |
|               | 2.184      | 2.028 | 14         | -1-87988-4           |
|               | 2.028      | 1.872 | 13         | -1-87988-3           |
|               | 1.872      | 1.716 | 12         | -1-87988-2           |
|               | 1.716      | 1.560 | 11         | -1-87988-1           |
| OBSOLETE<br>4 | 1.560      | 1.404 | 10         | 1-87988-0            |
|               | 1.404      | 1.248 | 9          | -87988-9-            |
| OBSOLETE<br>4 | 1.248      | 1.092 | 8          | -87988-8-            |
|               | 1.092      | .936  | 7          | 87988-7              |
|               | .936       | .780  | 6          | 87988-6              |
|               | .780       | .624  | 5          | 87988-5              |
|               | .624       | .468  | 4          | 87988-4              |
|               | .468       | .312  | 3          | 87988-3              |
|               | .312       | .156  | 2          | -87988-2-            |
|               | 4 OBSOLETE |       |            |                      |

|  |  |   |   |                 |
|--|--|---|---|-----------------|
| THIS DRAWING IS A CONTROLLED DOCUMENT. |  | DWN L A MAYER 17MAR86   | Tyco Electronics Corporation<br>Harrisburg, Pa 17105-3608                                   |                 |
| DIMENSIONS: INCHES                     |  | CHK P deJONG 17MAR86  | ASSY, MOD I, BOARD MOUNT RECP,<br>.156 CL, STD PRESSURE, TYPE C,<br>FOR ROUND HOLE MOUNTING |                 |
| TOLERANCES UNLESS OTHERWISE SPECIFIED: |  | APVD P deJONG 17MAR86   | SIZE A2   | CAGE CODE 00779 |
| 0 PLC ± -                              |  | PRODUCT SPEC 108-25,016   | DRAWING NO C=87988  | RESTRICTED TO - |
| 1 PLC ± -                              |  | APPLICATION SPEC 108-25,016   | SCALE 4:1   | SHEET 1 OF 1    |
| 2 PLC ± -                              |  | MATERIAL RBH0451N1000030  | REV K1  |                 |
| 3 PLC ± .005                           |  | FINISH .000030 GOLD TO CONTACT AREA, GOLD FLASH ON THE REMAINDER, ALL OVER .000050 NICKEL | CUSTOMER DRAWING  |                 |
| 4 PLC ± -                              |  | CONTACTS- PHOS BRONZE   |   |                 |
| ANGLES ± -                             |  |   |   |                 |