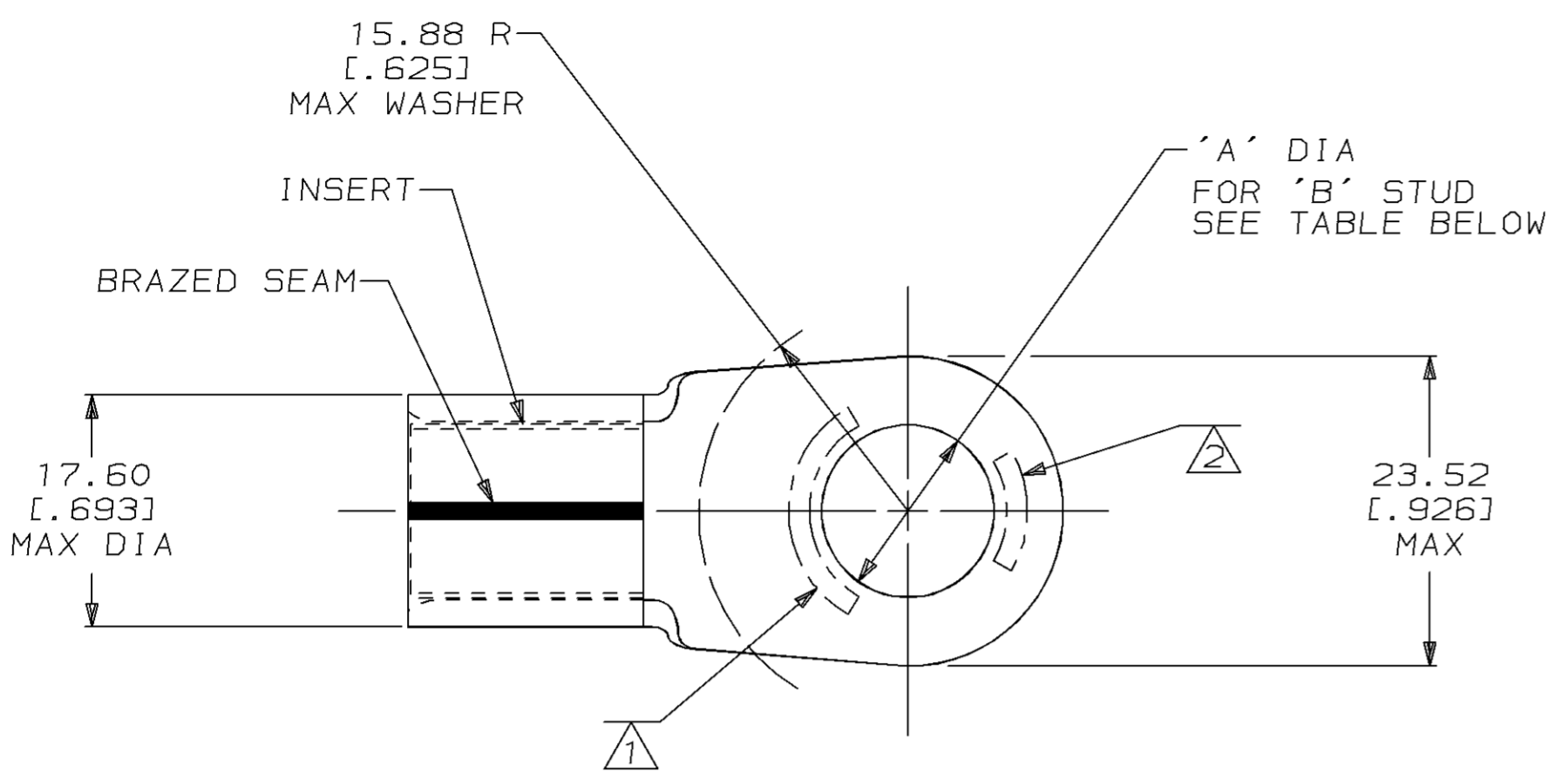


THIS DRAWING IS UNPUBLISHED. RELEASED FOR PUBLICATION, 19 .
 © COPYRIGHT 19 BY AMP INCORPORATED. ALL INTERNATIONAL RIGHTS RESERVED.

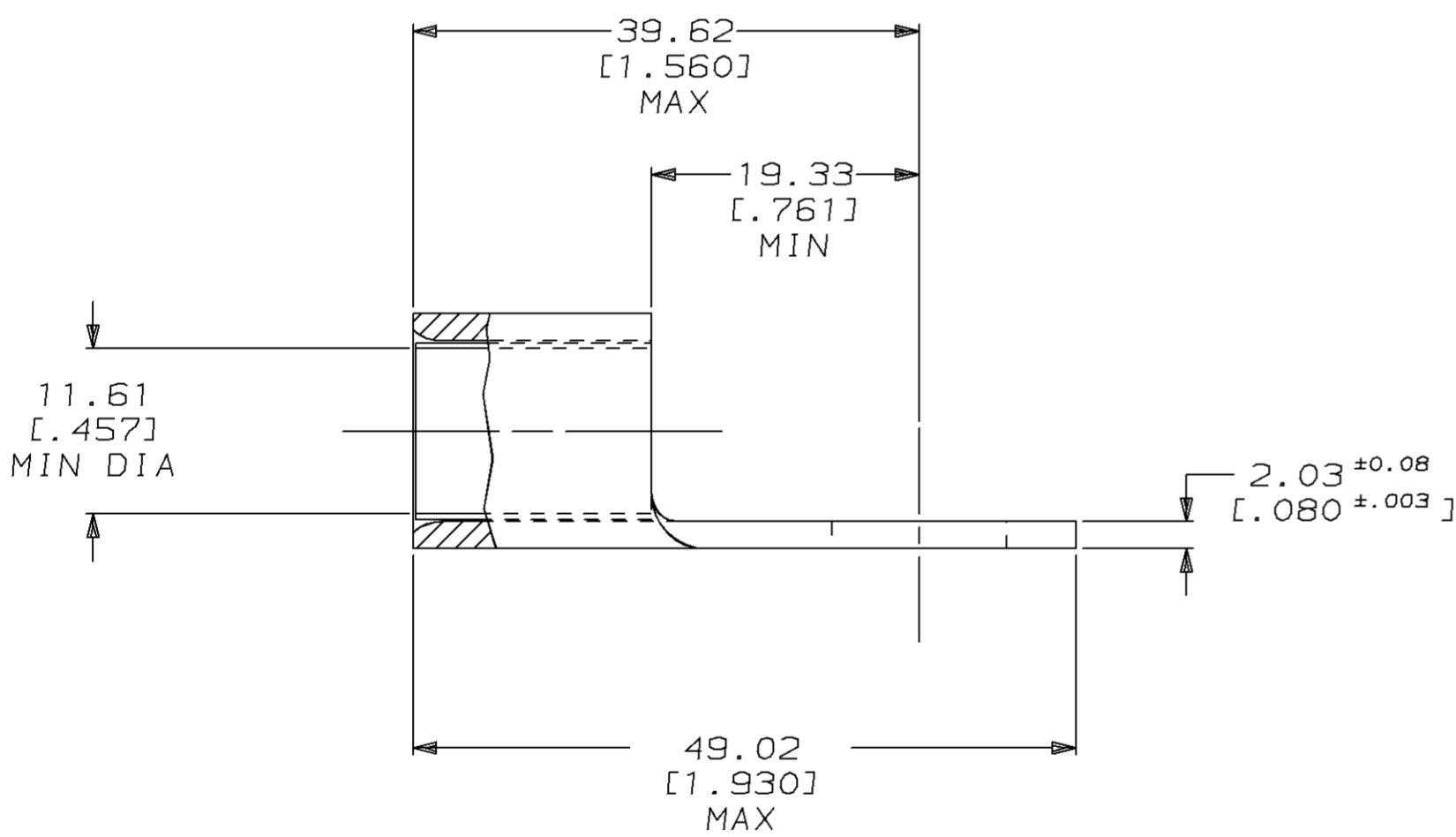
LOC	DIST	P	F	ZONE	LTR	REVISIONS	DATE	APPD
G	86				L	REVISED PER 0720-0302-94	29NOV94	OKS AJK

METRIC
 DIMENSIONS LISTED IN mm [INCHES]



AMP WIRE RANGE	E13288 Listed
2/0 AWG SOLID OR STRANDED	2/0 AWG STRANDED
LR7189 Certified	MILITARY P/N AND CLASS
2/0 AWG SOLID OR STRANDED	NOT APPLICABLE

- ① STAMP AMP 2/0W* APPROX AS SHOWN
- ② STAMP 125 APPROX AS SHOWN



<u>BODY:</u> COPPER ASTM B-152 TIN PLATE 0.00254 [0.000100] MIN THK PER MIL-T-10727	13.08 ^{+0.13} [.515 ^{+0.005}]	1/2	51989-3
	9.91 ^{+0.13} [.390 ^{+0.005}]	3/8	51989-2
	8.33 ^{+0.13} [.328 ^{+0.005}]	5/16	51989-1
	6.73 ^{+0.13} [.265 ^{+0.005}]	1/4	51989
<u>INSERT:</u> BRASS PER MIL-C-50 TIN PLATE 0.00762 [0.000300] MIN EXT THK PER MIL-T-10727			
MATERIAL & FINISH		'A'	'B'
		PART NO	

AMP INCORPORATED
CUSTOMER SERVICE SYSTEMS

FOR ADDITIONAL PRODUCT INFORMATION OR COPIES OF DRAWINGS AND TECHNICAL DOCUMENTS
 PRODUCT INFORMATION CENTER
 1-800-522-6752

FOR APPLICATION TOOLING INFORMATION
 TOOLING ASSISTANCE CENTER
 1-800-722-1111

FOR ORDER ENTRY
 1-800-526-5142

MAX RECOMMENDED OPERATING TEMPERATURE:
 170°C MAX

VOLTAGE RATING:
 NOT APPLICABLE

WIRE CROSS SECTIONAL AREA RANGE:
 60.6-76.3mm² [119,500-150,500] CIR MILS
 SOLID OR STRANDED

THIS DRAWING IS A CONTROLLED DOCUMENT FOR AMP INCORPORATED. IT IS SUBJECT TO CHANGE AND THE CONTROLLING ENGINEERING ORGANIZATION SHOULD BE CONTACTED FOR THE LATEST REVISION.

DO NOT SCALE PRINT. UNLESS SPECIFIED DIMENSIONS IN mm [INCHES] - TOLERANCES ON:
 2 PLC DEC ± 0.20 [0.008]
 3 PLC DEC ± -
 ANGLES ± -

MATERIAL
 SEE TABLE

FINISH
 SEE TABLE

DR 1/20/94
 DK SCHRUM

CHK 1/21/94
 AJ KAUFMAN

APPD 1/21/94
 RE ROSER

APPD 1/21/94
 JL MECKLEY

PRODUCT SPEC
 -

APPLICATION SPEC
 -

WEIGHT
 -

AMP AMP Incorporated
 Harrisburg, PA 17105-3608

NAME
 TERMINAL, RING TONGUE,
 COPALUM™ - STRANDED/SOLID,
 WIRE SIZE: 2/0 AWG

SIZE
 C 00779

CAGE CODE
 00779

DRAWING NO
 C=51989

SCALE
 2:1

SHEET
 1 OF 1