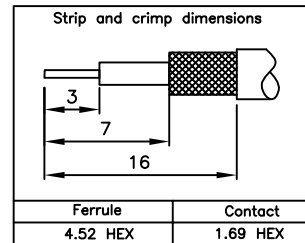
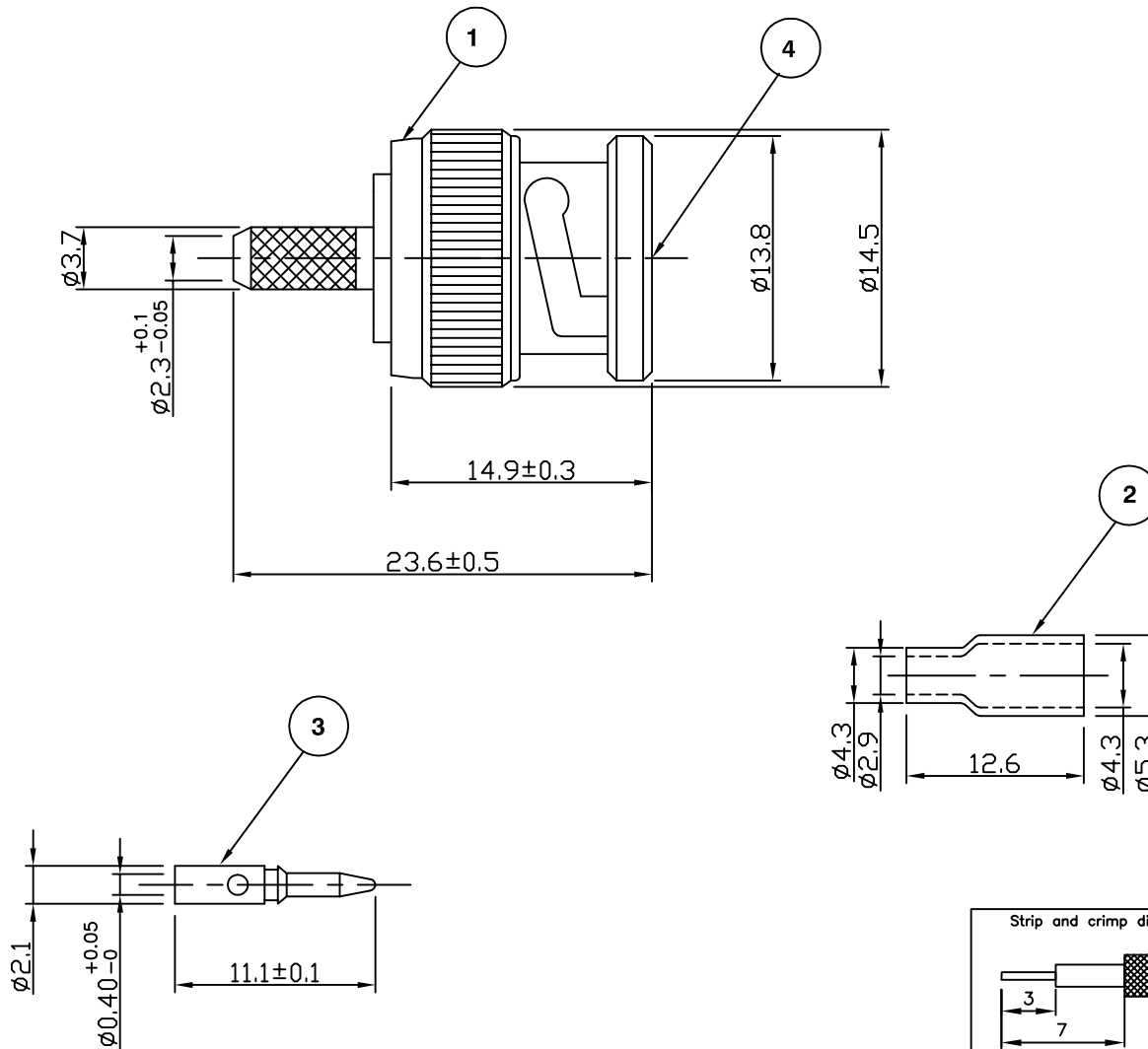


RoHS COMPLIANT



For stripping and assembly instructions see Drawing Number: VAIB1106

Electrical Characteristics

Nominal Impedance:	75 ohms
Frequency Range:	DC to 1 GHz
VSWR:	1.35:1 maximum
Insertion Loss:	0.1 dB at 1 GHz
Operating Voltage (rms):	500 V maximum at sea level
Dielectric Withstand Voltage (rms):	1500 V maximum at sea level
Contact Resistance:	1.5 milliohms maximum
Insulation Resistance:	5000 megohms minimum

Mechanical Characteristics

Mating Cycles:	500 cycles minimum
Interface Dimensions:	Conform to MIL-C-39012

Environmental Characteristics

Temperature Range:	-65 °C to +165 °C
--------------------	-------------------

PART	DESCRIPTION
1	Body Brass, nickel plated 2.54 μm
2	Ferrule Brass, nickel plated 2.54 μm
3	Contact Brass, gold plated 0.076 μm - 0.127 μm
4	Dielectric PTFE

DESCRIPTION OF REVISION	APPVD	ISS	DATE
Drawing Updated	JT	8	12 Mar 10
Strip And Crimp Dims Added	LB	7	26 Aug 09
Insulator Added	JW	6	22 June 06
CAD Issue	SN	5	18 Jan 02
Change Hole Of Pin To 0.40mm	DJH	4	01 July 97
Standardisation Of Crimp Ferrule	AT	3	04 March 96
Hole In Pin 0.50mm	IFS	2	19 May 94
First Issue	IFS	1	11 June 92



Cinch Connectivity Solutions
7-13 Russel Way,
Widford Industrial Estate,
Chelmsford, Essex,
CM1 3AA, UK.
Tel: +44 (0) 1245 359515
Fax: +44 (0) 1245 358938

SCALE: Not To Scale	DRAWN BY: J Williams
DIMENSIONS: mm	CHECKED BY: M Terry
TOLERANCES: ± 0.2mm unless otherwise stated	APPROVED BY: A Tusi
	DATE: 22 Jun 06

TITLE: BNC Crimp Plug for RG179, RG187
--

PART NUMBER: VB10-2061
PAGE: 1 of 1