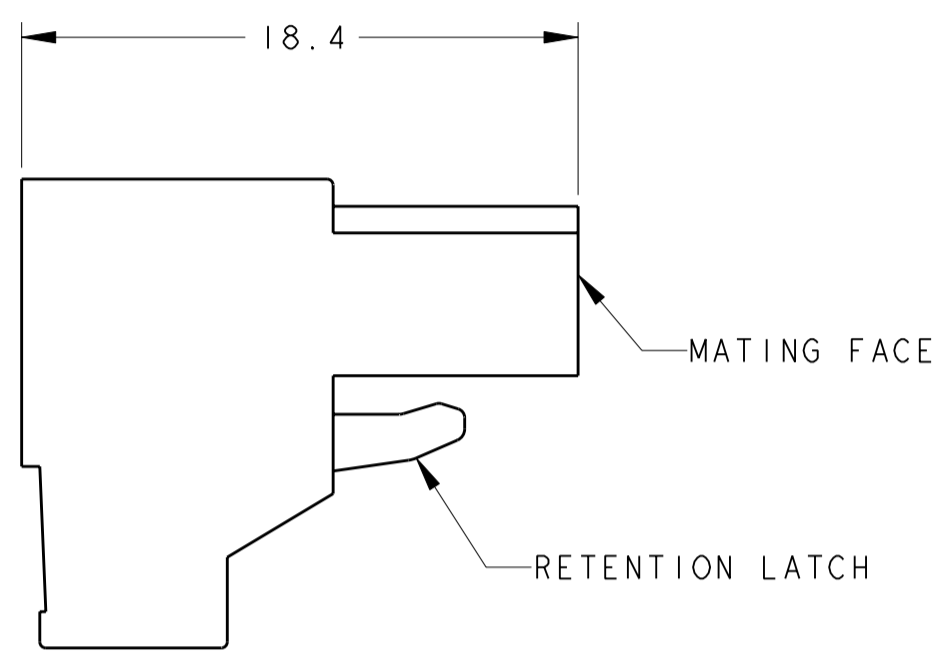
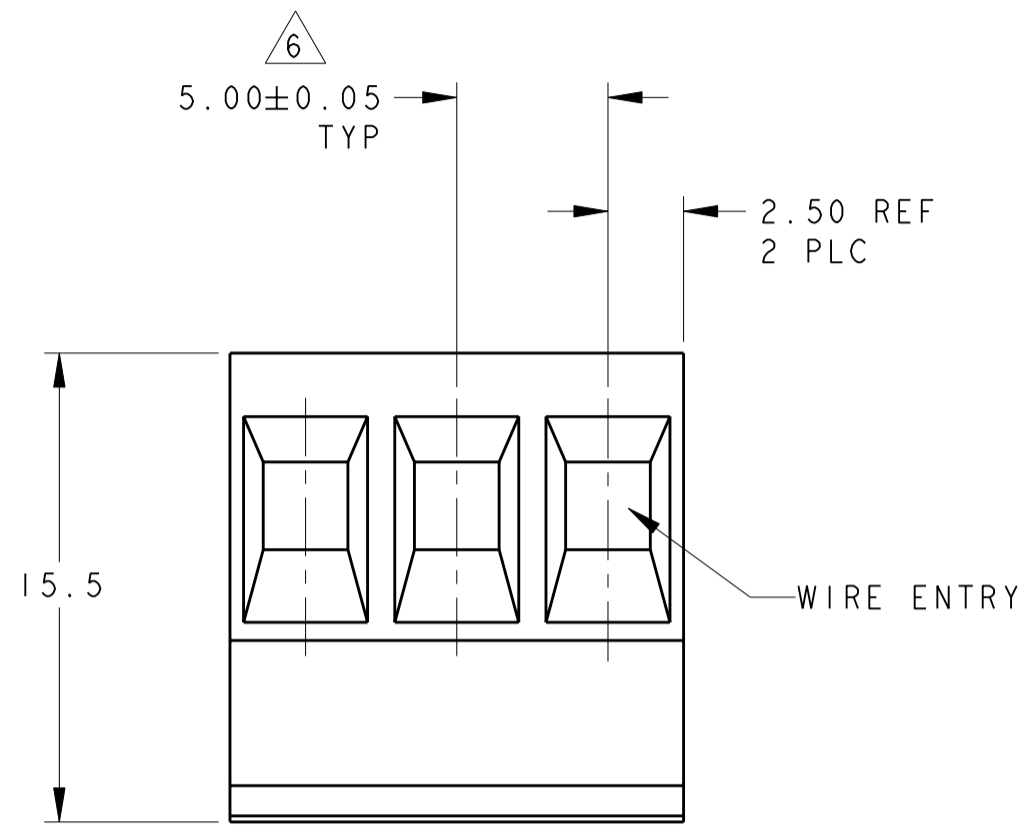
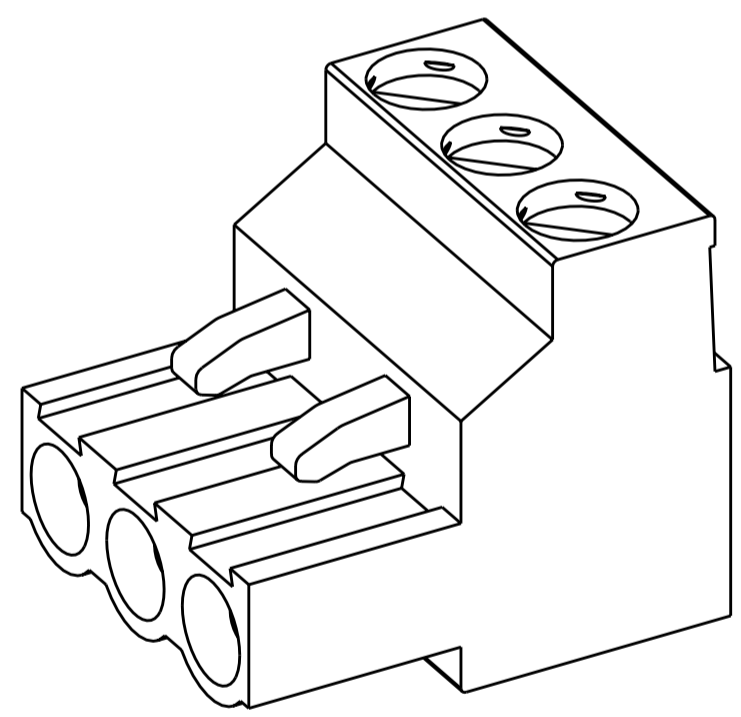
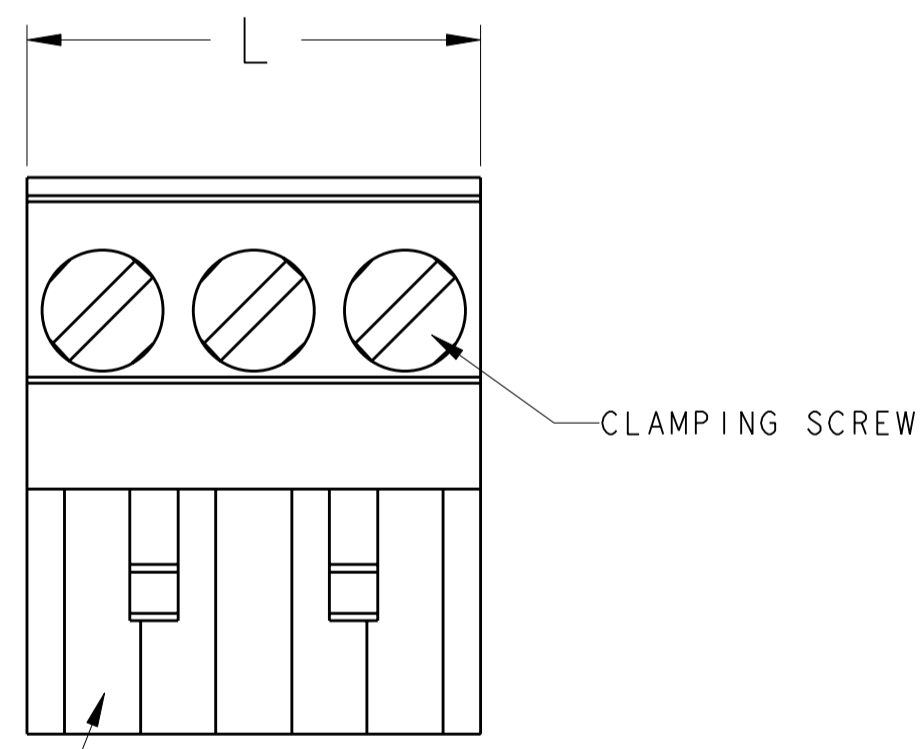


THIS DRAWING IS UNPUBLISHED. RELEASED FOR PUBLICATION 20
 © COPYRIGHT 20 BY TYCO ELECTRONICS CORPORATION. ALL RIGHTS RESERVED.

| LOC | | DIST | | REVISIONS | | | |
|-----|-----|---------------------------|-----------|-----------|------|--|--|
| P | LTR | DESCRIPTION | DATE | DWN | APVD | | |
| | 1 | - | 14JAN2008 | SS | CR | | |
| | A | REVISED PER ECO-08-001481 | 18JAN2008 | SS | CR | | |



- 1 MATERIALS AND FINISH)
 HOUSING: PA 6-6, UL 94-V0, COLOR: ORANGE.
 CLAMP: BRASS, NICKEL PLATED.
 DOUBLE SIDE CONTACT SPRING: PHOSPHOR BRONZE, TIN PLATED.
 CLAMPING SCREW: M3, BRASS, NICKEL PLATED.
- 2. END-TO-END STACKABLE WITHOUT LOSS OF CENTERLINE SPACING.
- 3. WIRE SIZE RANGE: 12-30 AWG.
- 4. RECOGNIZED UNDER THE COMPONENT PROGRAM OF UNDERWRITERS LABORATORIES INC. FILE N° E60677.
- 5. IMQ CERTIFICATE WITH SURVEILLANCE IN CONFORMITY WITH IEC 998-1/998-2-1.
- 6 NOT CUMULATIVE TOLERANCE
- 7. BUCHANAN LOGO TO APPEAR ON HOUSING, LOCATION OPTIONAL WHERE SPACE PERMITS.



| | | |
|-------|------------|-------------|
| 20.00 | 4 | 1986336-4 |
| L | NO OF POSN | PART NUMBER |

| | | | | |
|--|--|--|---|--|
| THIS DRAWING IS A CONTROLLED DOCUMENT FOR TYCO ELECTRONICS CORPORATION IT IS SUBJECT TO CHANGE AND THE CONTROLLING ENGINEERING ORGANIZATION SHOULD BE CONTACTED FOR THE LATEST REVISION. | | DWN S. SCHLEGEL 14JAN2008 | Tyco Electronics Harrisburg, PA 17105-3608 | |
| DIMENSIONS: mm | | CHK C. RICHARD 14JAN2008 | NAME TERMINAL BLOCK, PLUG, STACKING 5.00mm PITCH | |
| TOLERANCES UNLESS OTHERWISE SPECIFIED: | | APVD C. RICHARD 14JAN2008 | SIZE A2 CAGE CODE 00779 DRAWING NO. 1986336 RESTRICTED TO - | |
| 0 PLC ±- 1 PLC ±0.3 2 PLC ±0.25 3 PLC ±- 4 PLC ±- ANGLES ±2 FINISH | | PRODUCT SPEC - APPLICATION SPEC - WEIGHT - | SCALE 4:1 SHEET 1 OF 1 REV A | |
| MATERIAL | | CUSTOMER DRAWING | | |