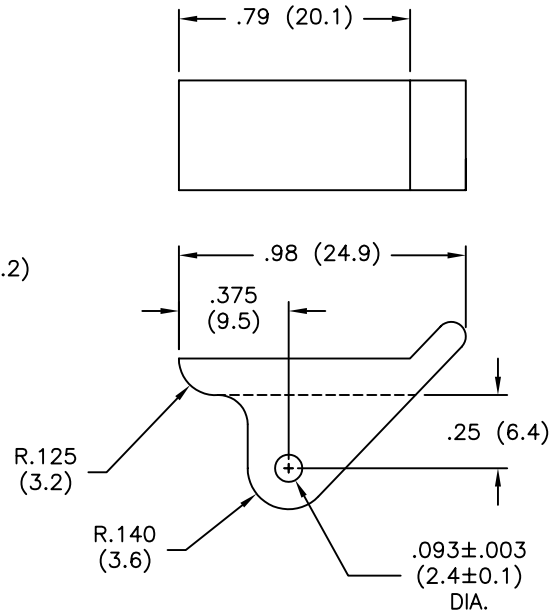
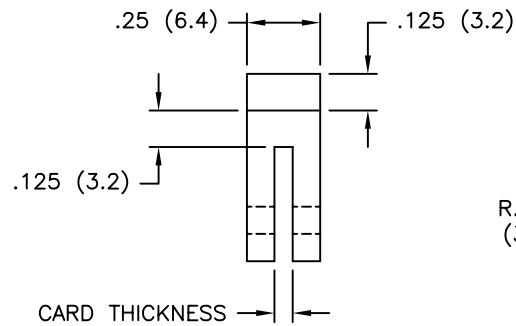
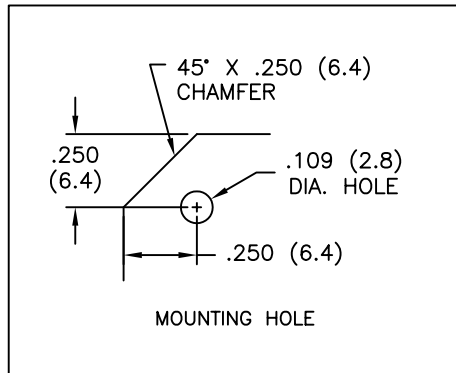


| PART NO. | CARD THICKNESS |
|----------|----------------|
| RCP-86 | 1/16 (1.6) |
| RCP-89 | 3/32 (2.4) |



NOTES:

1. MATERIAL: NYLON 6/6 (RMS-48).
2. COLOR: WHITE.
3. INSTALLATION ROLL PIN NO. RRP-250, MATERIAL: PASSIVATED STAINLESS STEEL PER MIL-P-10971. COLOR: SILVER.
 3/32 (2.4) DIA. X 1/4 (6.4) LONG, FURNISHED WITH EJECTORS.

| | | | | | |
|---|--|------------------|--|----------------|------------|
| TITLE: CARD EJECTORS | | | | DWG IN IN (MM) | |
| TOLERANCES UNLESS NOTED .XX=±.010 .XXX=±.005 FRAC=±1/64 ANG=±1° | | FILE # RCP | DWN: P.B. | APP: | FINAL |
| D ADDED MOUNTING HOLE DETAIL, ECN #659 SM 07.02.03 | | MAT'L: SEE NOTES | DT: 04-07-94 | DT: | PART # |
| C ADDED NOTE 3 (ECN #472) SM 09.26.02 | | RE: RICHCO, INC. | RICHCO INC. PO BOX 804238, CHICAGO, 60680 (773) 539-4060 | | SEE TABLE |
| B CHANGED FILE NUMBER SM 05.15.01 | | | | | PRINT TYPE |
| A MAT'L COLOR WHITE WAS NATURAL J.L. 3.17.99 | | | | | CA |
| REV DESCRIPTION ENGR DATE | | | | | |