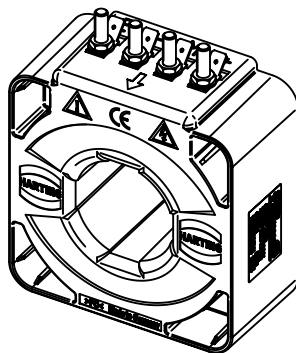
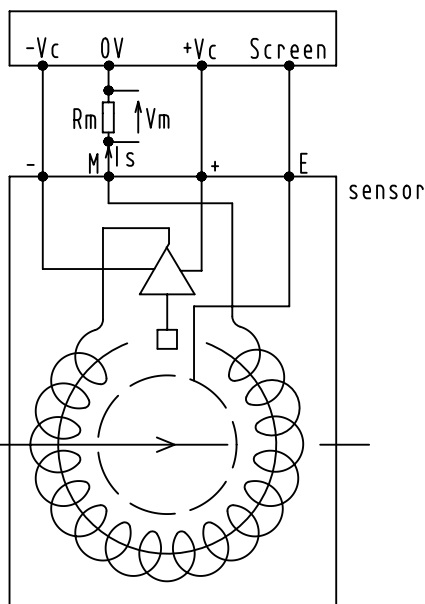
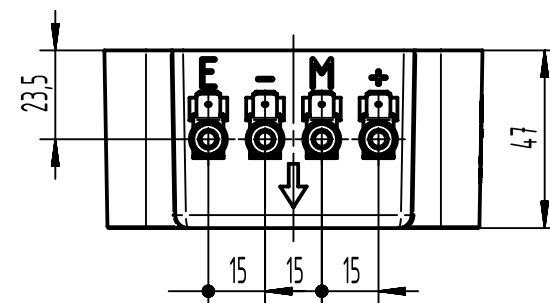
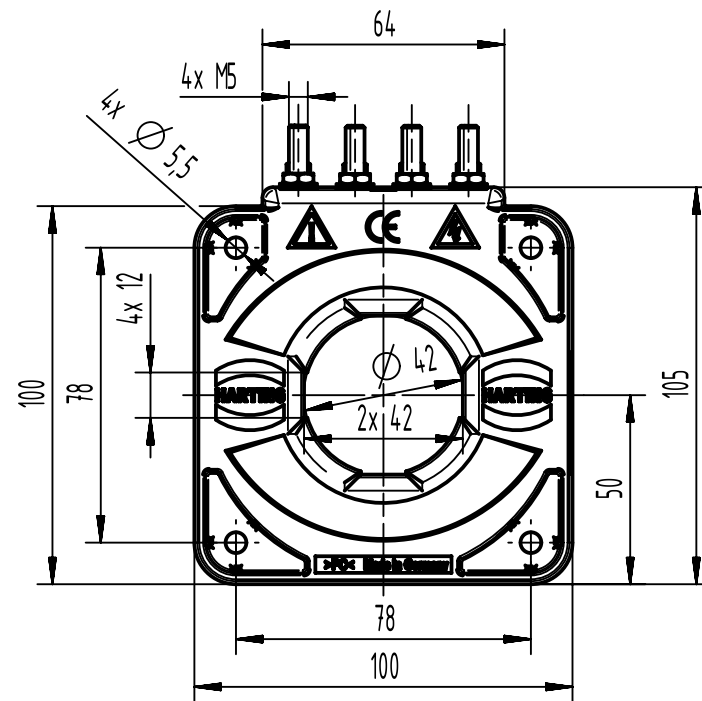
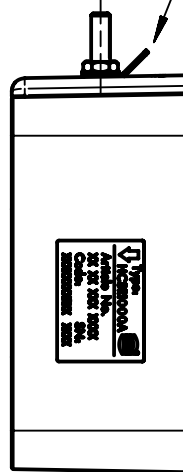


Hall-Element
Position

4 x Faston:
6,3 x 0,8



4x locknut M5 unmounted included

	All rights reserved Department EL PD - DE HARTING Electric GmbH & Co. KG D-32339 Espelkamp	All Dimensions in mm Original Size DIN A4		Scale 1:2	Free size tol.	Ref. Sub.
		Created by VOLAR	Inspected by MATAU	Standardisation RUETERA	Date 2015-07-23	State Final Release
Title CURRENT SENSOR 1000A RAILW. (SCREW TERM)					Doc-Key / ECM-Nr. 1005114.93/UGD/001/E 500000092133	
Type TB				Number 20 31 100 9101		Rev. E
						Page 1/1