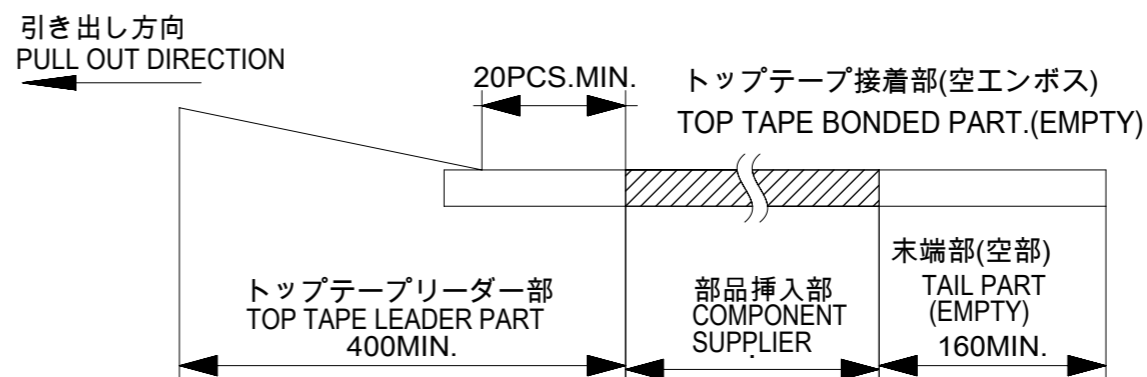
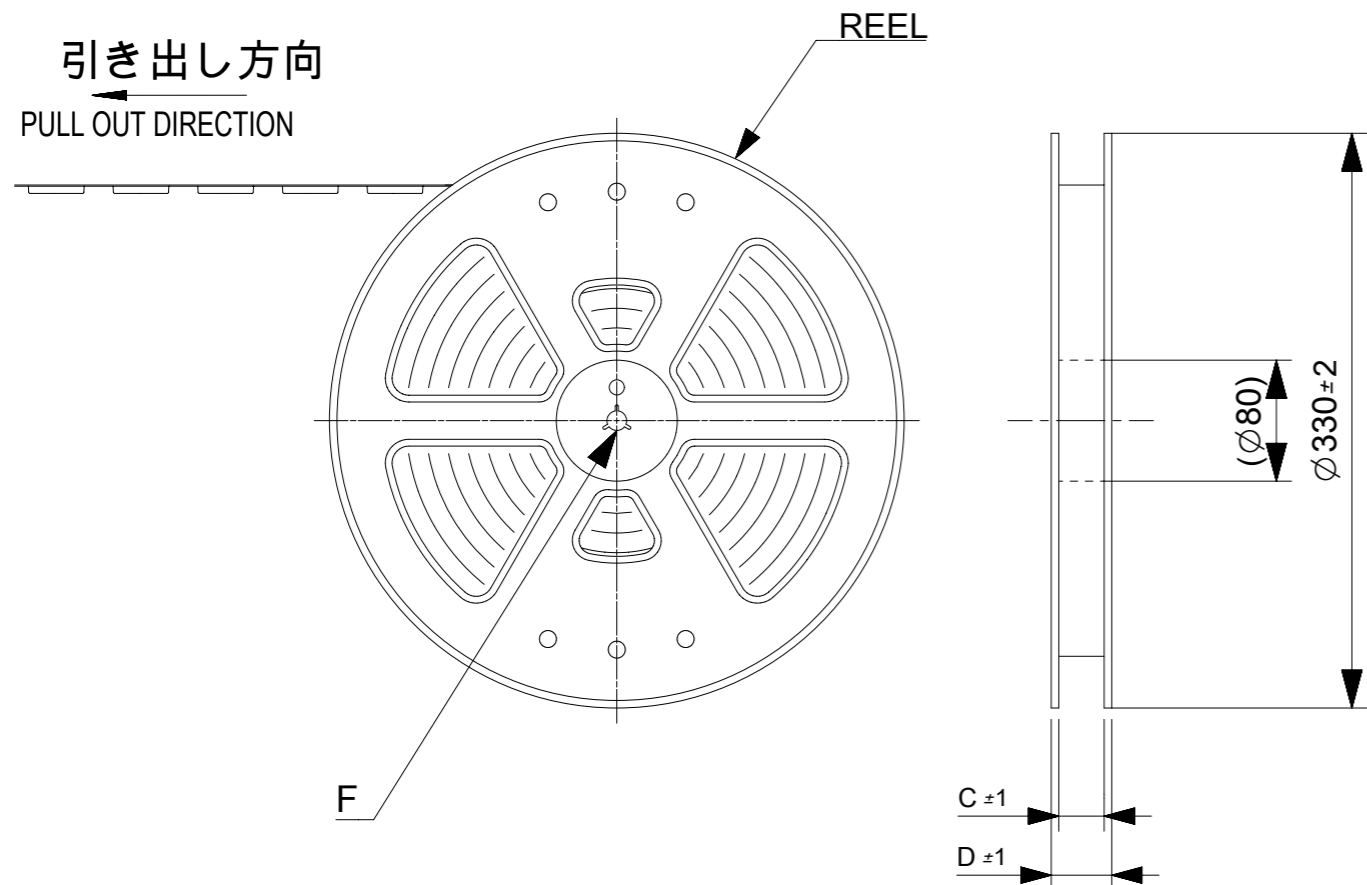
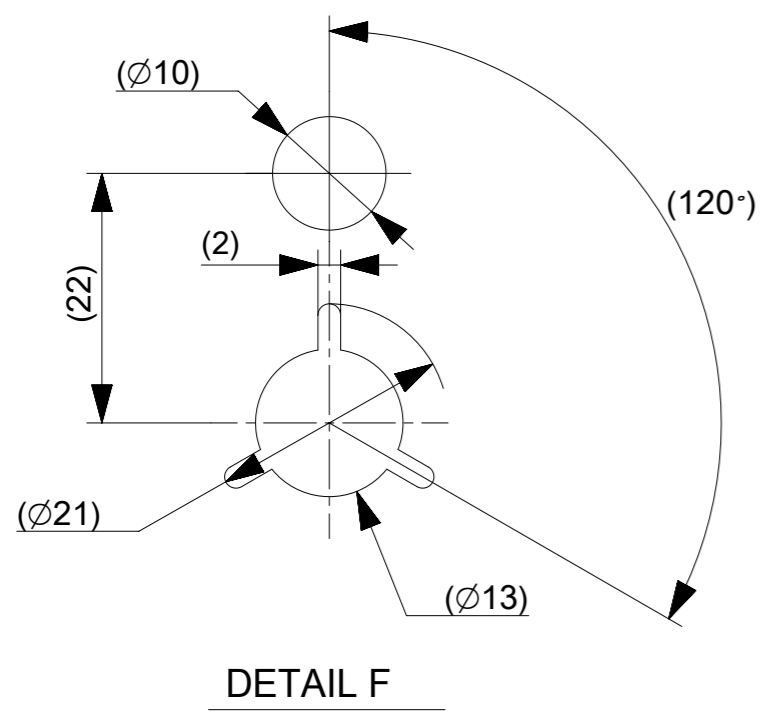


NOTES

- 製品詳細寸法については製品単体図面を参照下さい。
FOR DETAIL OF CONNECTOR DIMENSIONS, SEE PRODUCT DRAWING.
- 梱包数量：3000個 / リール
NUMBER OF CONNECTORS : 3000 PCS/REEL.
- リードテープ長さ LEAD TAPE LENGTH.

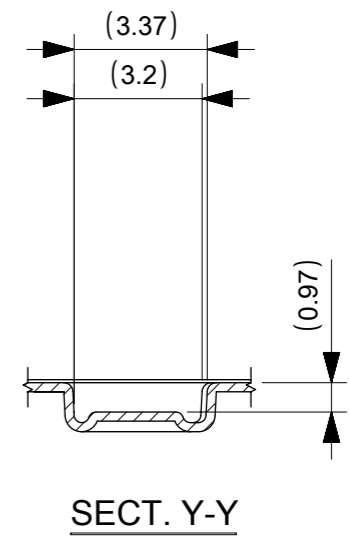
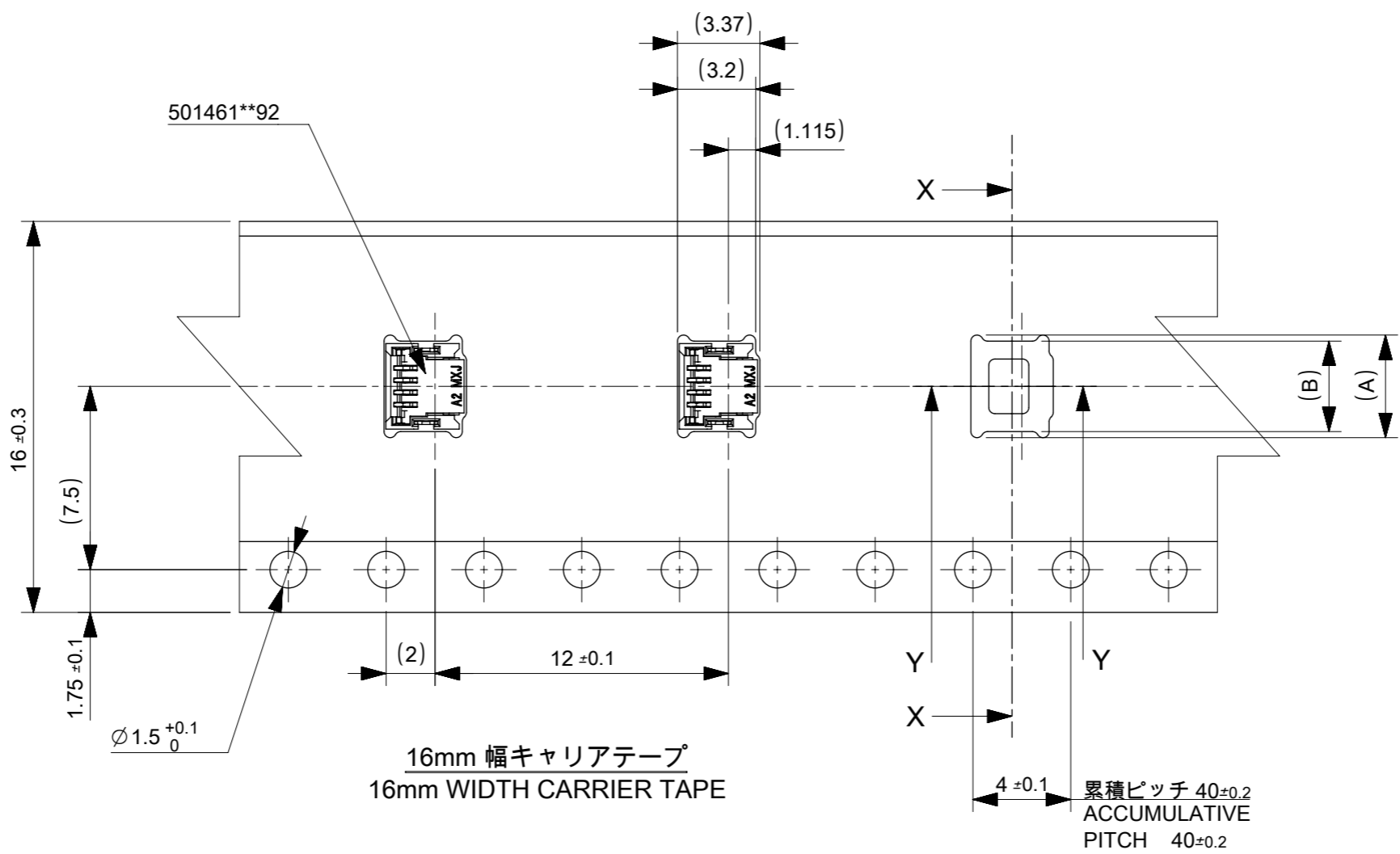
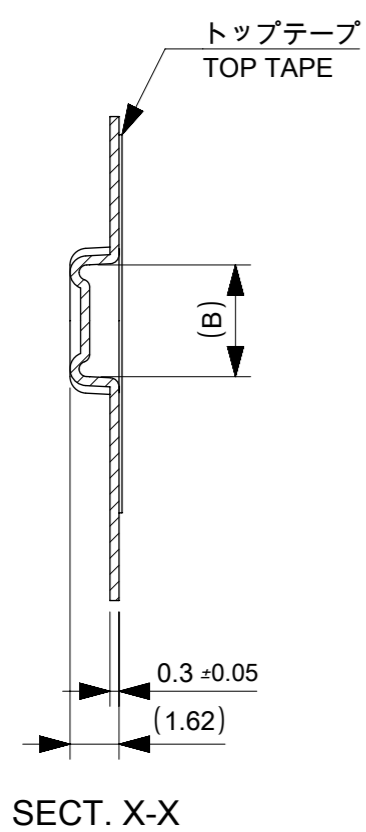


- カバーテープの剥離強度については、IEC60286-3に準拠
COVER TAPE PEEL FORCE IS DEFINED BY IEC 60286-3.
- 材料 MATERIAL
キャリアテープ (CARRIER TAPE): ポリスチレン (POLYSTYRENE)
トップテープ (TOP TAPE) : PET, PE, PEF
リール (REEL) ポリスチレン (PS) <リサイクル材含む>
POLYSTYRENE (PS) <RECYCLE MATERIAL CONTAINED>
- ELV及びRoHS適合品
ELV AND RoHS COMPLIANT



THIS DRAWING CONTAINS INFORMATION THAT IS PROPRIETARY TO MOLEX ELECTRONIC TECHNOLOGIES, LLC AND SHOULD NOT BE USED WITHOUT WRITTEN PERMISSION									
REDRAW	EC NO: 102256	DRWN: NVELUSAMY	CHK'D: HIJIMA	APPR: YNOGAWA	2015/12/09	2015/12/24	2015/12/24	GENERAL TOLERANCES (UNLESS SPECIFIED)	
					4 PLACES	±	ANGULAR TOL ± °		DIMENSION UNITS
					3 PLACES	±			MM
					2 PLACES	±			SCALE
					1 PLACE	±			---
				0 PLACES	±			DRWN BY	DATE
								NVELUSAMY	2015/12/09
								CHK'D BY	DATE
								HIJIMA	2015/12/24
								APPR BY	DATE
								YNOGAWA	2015/12/24
								DRAWING SIZE	THIRD ANGLE PROJECTION
								A3	
								molex	
								0.5 FPC CONN BACK FLIP H=0.8 EMBSTP PKG LOW-HALOGEN	
								PRODUCT CUSTOMER DRAWING	
		SERIES		MATERIAL NUMBER		CUSTOMER			
		501461		SEE CHART		GENERAL			
		DOCUMENT NUMBER		DOC TYPE		DOC PART		SHEET NUMBER	
		5014610001		PSD		000		1 OF 2	

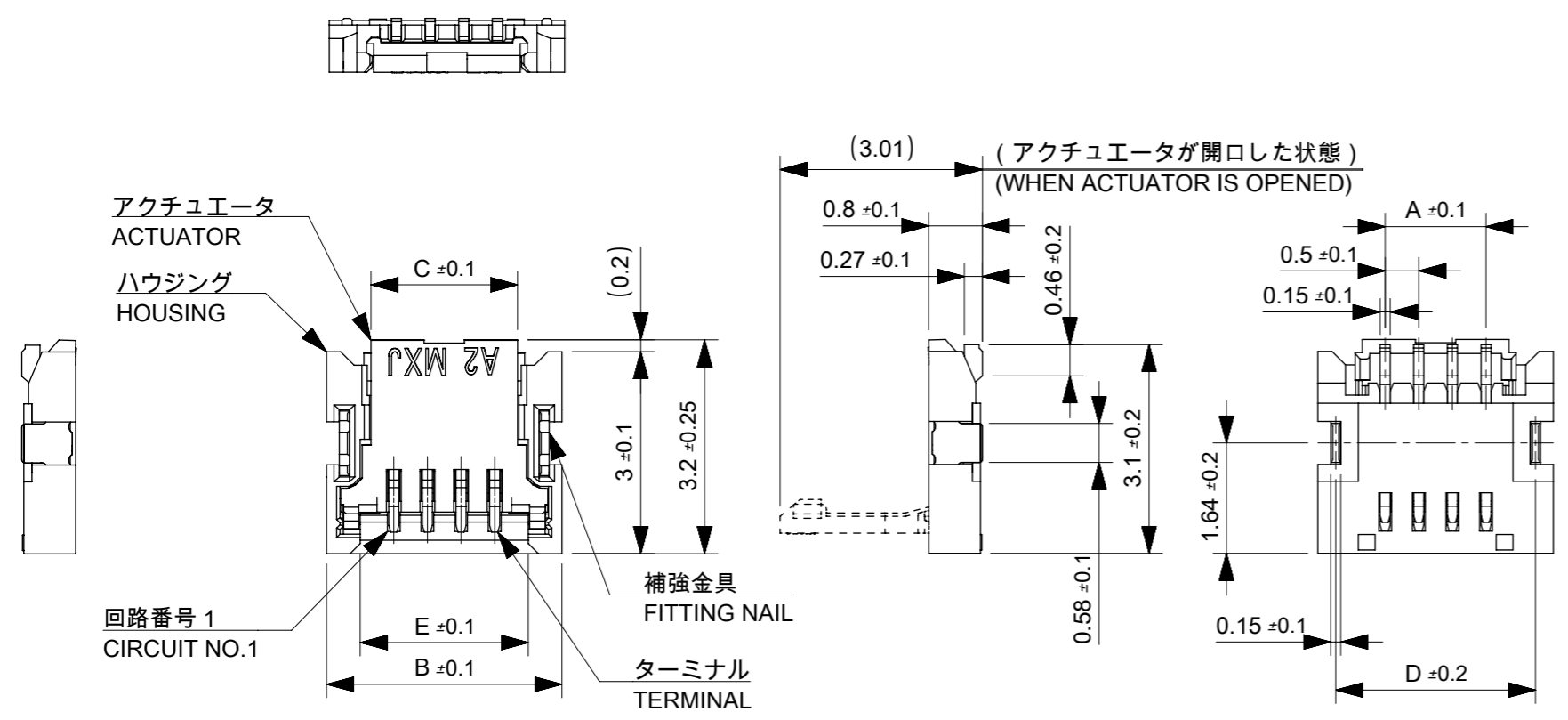
引き出し方向
PULL OUT DIRECTION



16	21.4	17.4	5.7	6.2	5014610891	8	
			4.7	5.2	5014610691	6	
			4.2	4.7	5014610591	5	
			3.7	4.2	5014610491	4	
キャリアテープ幅 CARRIER TAPE WIDTH		D	C	(B)	(A)	EMBOSSED PACKAGE ORDER NO. オーダー番号	極数 CIRCUITS
CONNECTOR SERIES NO:501461**92							

THIS DRAWING CONTAINS INFORMATION THAT IS PROPRIETARY TO MOLEX ELECTRONIC TECHNOLOGIES, LLC AND SHOULD NOT BE USED WITHOUT WRITTEN PERMISSION

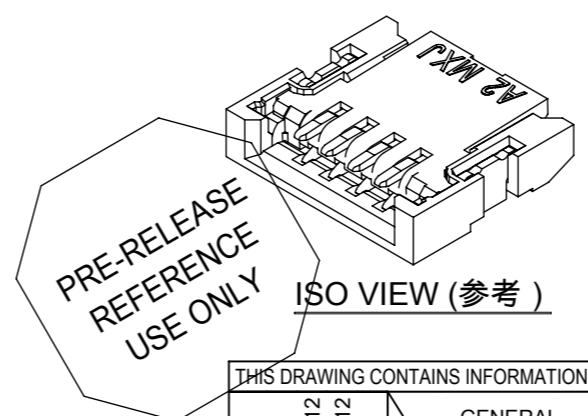
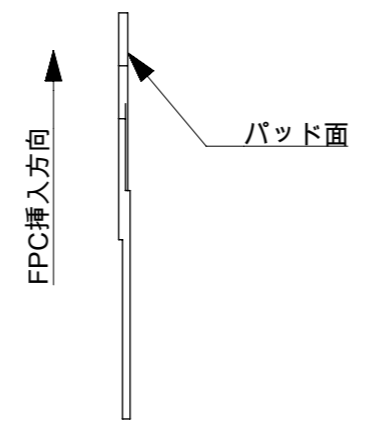
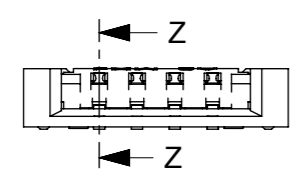
REDRAW EC NO: 102256 DRWN: NVELUSAMY CHK'D: HIJIMA APPR: YNOGAWA 2015/12/09 2015/12/24 2015/12/24	GENERAL TOLERANCES (UNLESS SPECIFIED)		DIMENSION UNITS	SCALE					
	ANGULAR TOL ± °		MM	---					
	4 PLACES ±	±	DRWN BY	DATE	0.5 FPC CONN BACK FLIP H=0.8 EMBSTP PKG LOW-HALOGEN				
	3 PLACES ±	±	NVELUSAMY	2015/12/09					
	2 PLACES ±	±	CHK'D BY	DATE	PRODUCT CUSTOMER DRAWING				
1 PLACE ±	±	HIJIMA	2015/12/24						
0 PLACES ±	±	APPR BY	DATE	SERIES	MATERIAL NUMBER	CUSTOMER			
DRAFT WHERE APPLICABLE MUST REMAIN WITHIN DIMENSIONS		YNOGAWA	2015/12/24	501461	SEE CHART	GENERAL			
DRAWING SIZE		THIRD ANGLE PROJECTION		DOCUMENT NUMBER			DOC TYPE	DOC PART	SHEET NUMBER
A3				5014610001			PSD	000	2 OF 2



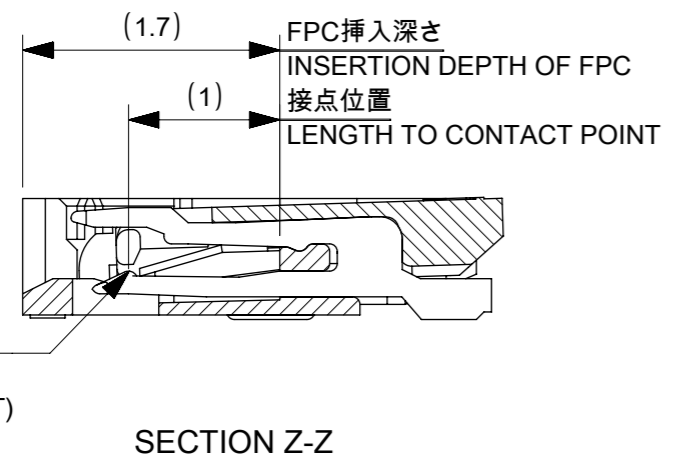
注記

NOTES:

- 材質
MATERIAL
ハウジング: 黒色、ポリアミド(PA46)、ガラス充填、UL94HB
HOUSING: BLACK, POLYAMIDE, GLASS FILLED, UL94HB
アクチュエーター: ナチュラル(白色)、ポリアミド(PA46)、ガラス充填、UL94HB
ACTUATOR: NATURAL(WHITE), POLYAMIDE, GLASS FILLED, UL94HB
ターミナル: リン青銅 (t = 0.15)
TERMINAL: PHOSPHOR BRONZE (t=0.15)
補強金具: リン青銅 (t = 0.15)
NAIL: PHOSPHOR BRONZE (t=0.15)
- めっき仕様
PLATING
ターミナル: 接点部: 部分金メッキ(0.1µm以上)
テール部: 部分金メッキ
下地 ニッケルメッキ(1.0µm以上)
TERMINAL: CONTACT AREA: SEPARATED GOLD PLATING (0.1 MICROMETER MINIMUM)
SOLDER TAIL AREA: SEPARATED GOLD PLATING UNDER PLATING; NICKEL PLATING OVERALL (1.0 MICROMETER MINIMUM)
補強金具: 錫メッキ(1.0µm以上)
下地 ニッケルメッキ(1.0µm以上)
FITTING NAIL: TIN PLATING 1.0 MICROMETER MINIMUM. UNDER PLATING; NICKEL PLATING OVERALL (1.0 MICROMETER MINIMUM)
- 平坦度は、0.1mm以下とする。
TAILS AND NAILS COPLANARITY TO BE 0.1mm MAXIMUM.
- ELV&RoHS COMPLIANT

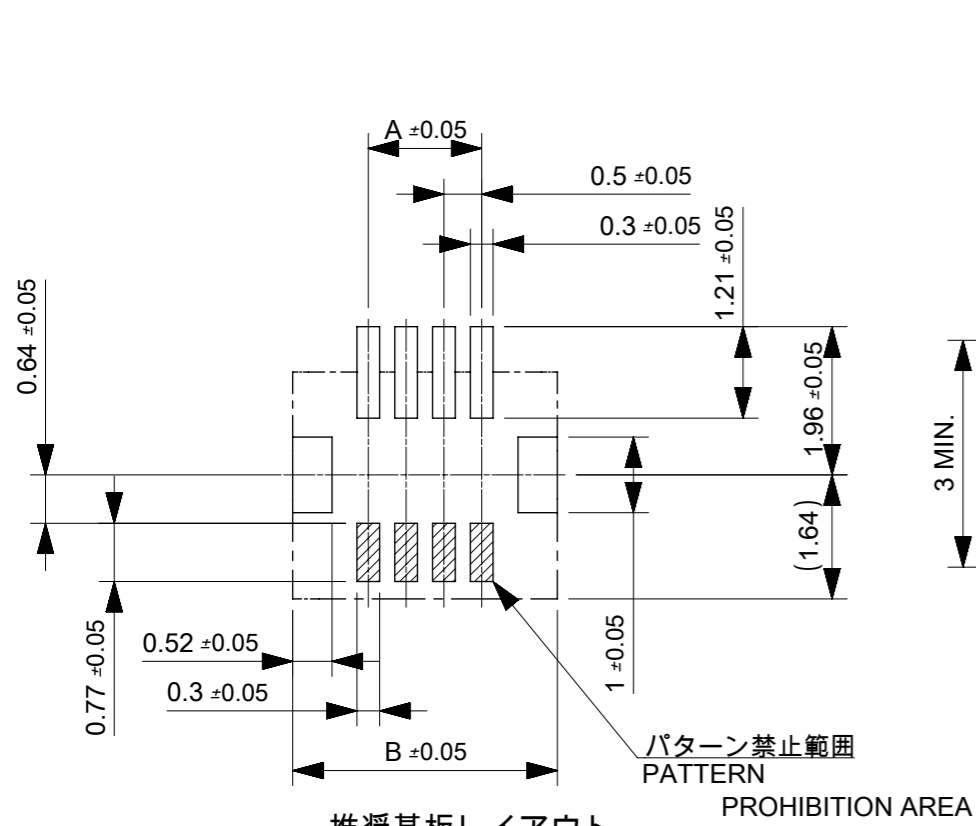


4.5	4.97	4.18	5.5	3.5	5014610891	8
3.5	3.97	3.18	4.5	2.5	5014610691	6
3.0	3.47	2.68	4.0	2.0	5014610591	5
2.5	2.97	2.18	3.5	1.5	5014610491	4
E	D	C	B	A	EMBOSSED TAPE PKG.	極数(N)
ORDER NO. オーダー番号						CIRCUITS(N)
CONNECTOR NO.						5014610492

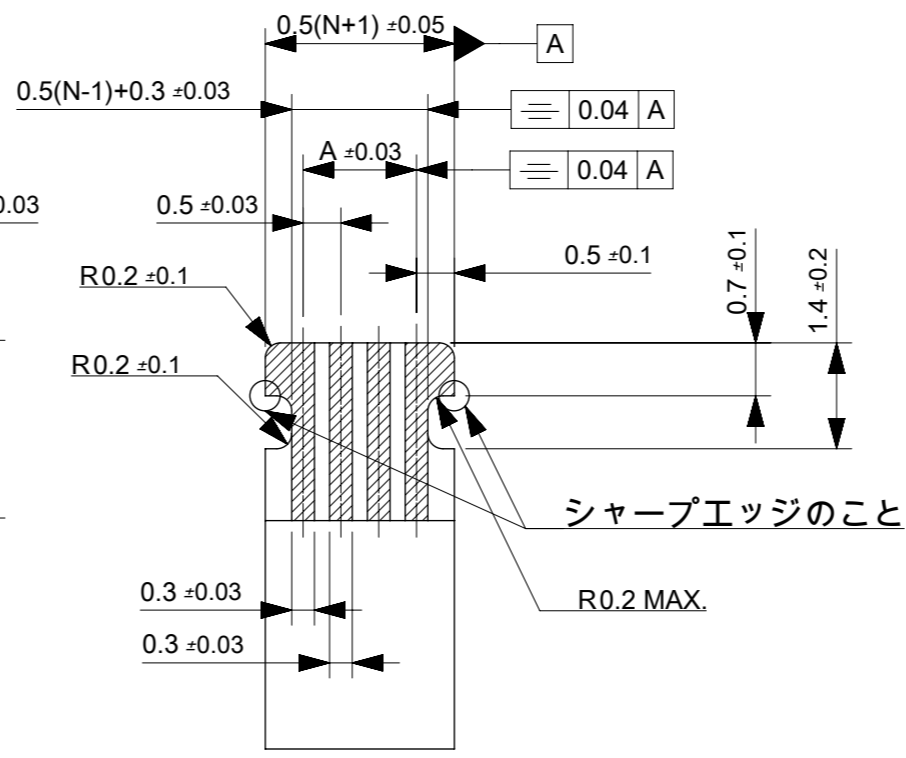


THIS DRAWING CONTAINS INFORMATION THAT IS PROPRIETARY TO MOLEX ELECTRONIC TECHNOLOGIES, LLC AND SHOULD NOT BE USED WITHOUT WRITTEN PERMISSION

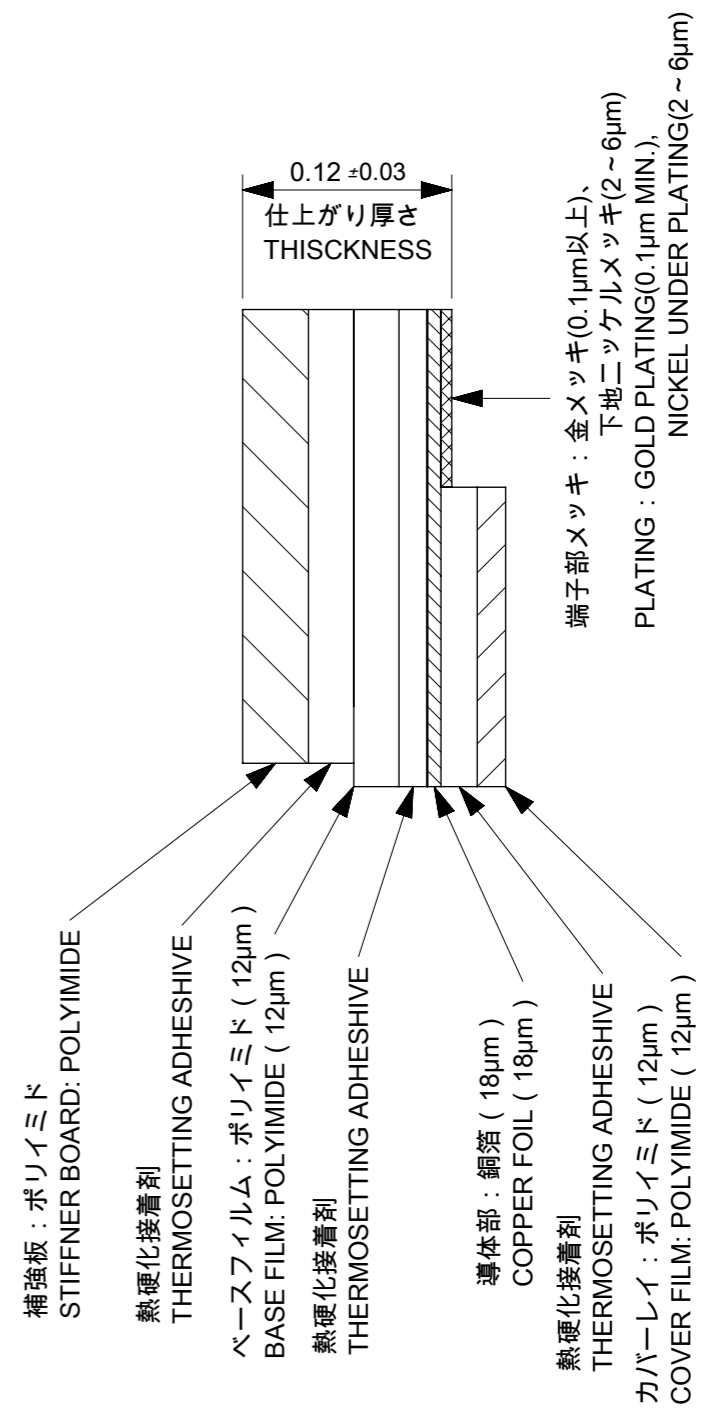
REVISED	2016/01/12	2016/01/12	GENERAL TOLERANCES (UNLESS SPECIFIED)	DIMENSION UNITS	SCALE	
	2016/01/12	2016/01/12		MM	10:1	
	DRWN BY	DATE		NVELUSAMY	2015/12/09	
	CHK'D BY	DATE		HIIJIMA	2015/12/24	
2016/01/12	2016/01/12	2016/01/12	ANGULAR TOL ± °	APPR BY	DATE	PRODUCT CUSTOMER DRAWING SERIES: 501461 MATERIAL NUMBER: SEE CHART CUSTOMER: GENERAL DOCUMENT NUMBER: 5014611004 DOC TYPE: PSD DOC PART: 000 SHEET NUMBER: 1 OF 2
4 PLACES	±	YNOGAWA	2015/12/24			
3 PLACES	±	DRAWING SIZE	THIRD ANGLE PROJECTION			
2 PLACES	±	A3				
1 PLACE	±	DRAFT WHERE APPLICABLE MUST REMAIN WITHIN DIMENSIONS				
0 PLACES	±					



推奨基板レイアウト
RECOMMENDED P.C. BOARD PATTERN LAYOUT
 マスク厚 : 120μm
 マスク開口率 : 100%
 SCREEN THICKNESS : 120μm
 SCREEN OPEN RATIO : 100%



適合金メッキFPC推奨寸法
APPLICABLE FPC OF GOLD PLATING RECOMMENDED DIMENSION
 仕上がり厚さ : 0.12±0.03
 THICKNESS : 0.12+0.03/-0.03



補強板 : ポリイミド
 STIFFNER BOARD: POLYIMIDE
 熱硬化接着剤
 THERMOSETTING ADHESIVE
 ベースフィルム : ポリイミド (12μm)
 BASE FILM: POLYIMIDE (12μm)
 熱硬化接着剤
 THERMOSETTING ADHESIVE
 導体部 : 銅箔 (18μm)
 COPPER FOIL (18μm)
 熱硬化接着剤
 THERMOSETTING ADHESIVE
 カバーレイ : ポリイミド (12μm)
 COVER FILM: POLYIMIDE (12μm)
 端子部メッキ : 金メッキ (0.1μm以上)、
 下地ニッケルメッキ (2~6μm)
 PLATING : GOLD PLATING (0.1μm MIN.),
 NICKEL UNDER PLATING (2~6μm)

FPCについて :

抜き方向は、導体側から補強板側を推奨します。
 補強フィルム材質は、ポリイミドを推奨します。
 接着剤は、熱硬化接着剤を推奨します。
 尚、接着剤の接点部への付着は、導通不良の原因となりますので染み出しが無いよう、お願いします。

ABOUT FPC :

RECOMMENDED PUNCHER DIRECTION :
 FROM CONDUCTOR SIDE TO STIFFNER FILME SIDE.
 RECOMMENDED MATERIAL :
 STIFFNER FILME : POLYIMIDE
 BONDING AGENT : THRMOSSETTING AGENT
 PLEASE PUT APPROPRIATE AMOUNT OF ADHESIVE MAY CAUSE
 THE DEFECT IN ELECTRICAL CONTINUITY.

PRE-RELEASE
 REFERENCE
 USE ONLY

THIS DRAWING CONTAINS INFORMATION THAT IS PROPRIETARY TO MOLEX ELECTRONIC TECHNOLOGIES, LLC AND SHOULD NOT BE USED WITHOUT WRITTEN PERMISSION

REVISED	2016/01/12	2016/01/12	GENERAL TOLERANCES (UNLESS SPECIFIED)	DIMENSION UNITS	SCALE				
	EC NO: 102468	DRWN: MTAKAHASHI04		CHK'D: KTAKAHASHI	MM		10:1		
	4 PLACES	±		DRWN BY	DATE		NVELUSAMY 2015/12/09		
	3 PLACES	±		CHK'D BY	DATE		HIIJIMA 2015/12/24		
	2 PLACES	±		APPR BY	DATE		YNOGAWA 2015/12/24		
1 PLACE	±	DRAFT WHERE APPLICABLE	MUST REMAIN WITHIN DIMENSIONS	DRAWING SIZE	THIRD ANGLE PROJECTION	PRODUCT CUSTOMER DRAWING			
0 PLACES	±			A3		SERIES	MATERIAL NUMBER	CUSTOMER	
						501461	SEE CHART	GENERAL	
						DOCUMENT NUMBER	DOC TYPE	DOC PART	SHEET NUMBER
						5014611004	PSD	000	2 OF 2