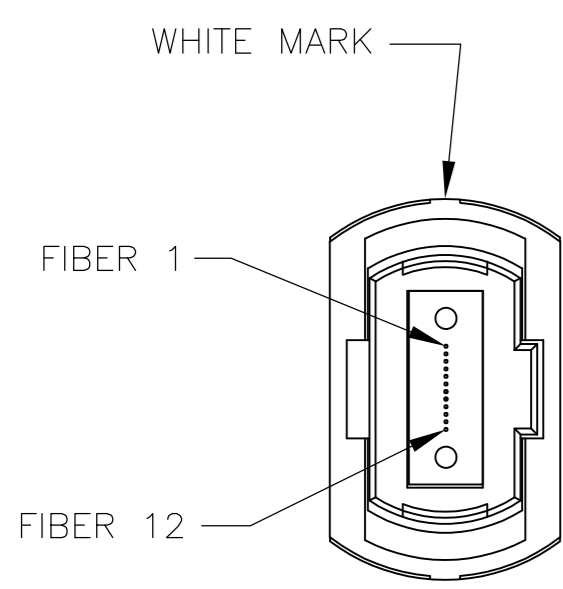
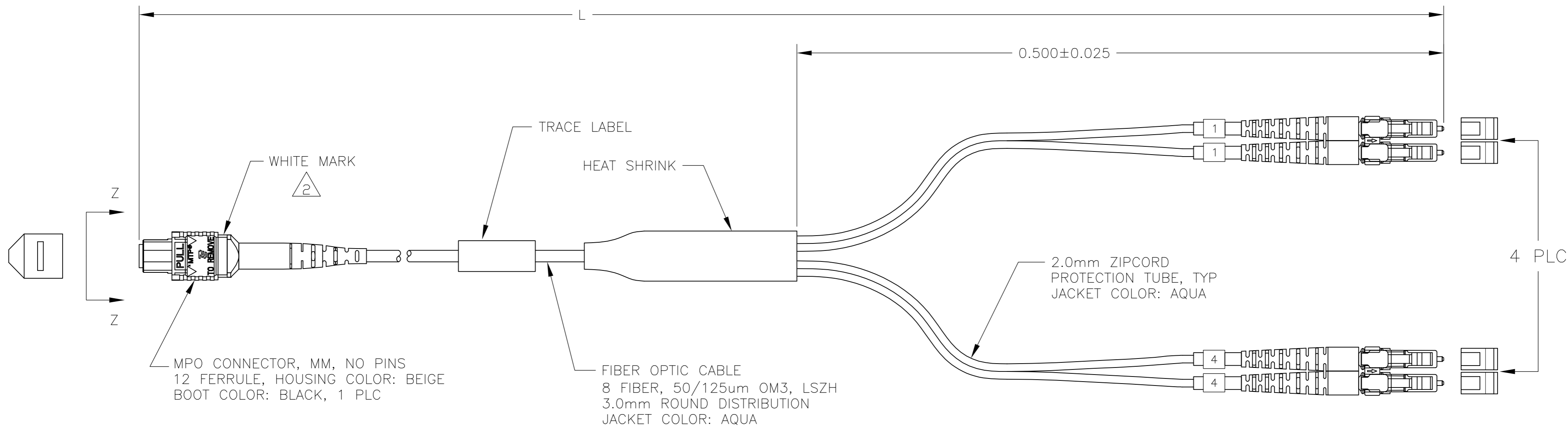


THIS DRAWING IS UNPUBLISHED. RELEASED FOR PUBLICATION  
 © COPYRIGHT - By - ALL RIGHTS RESERVED.

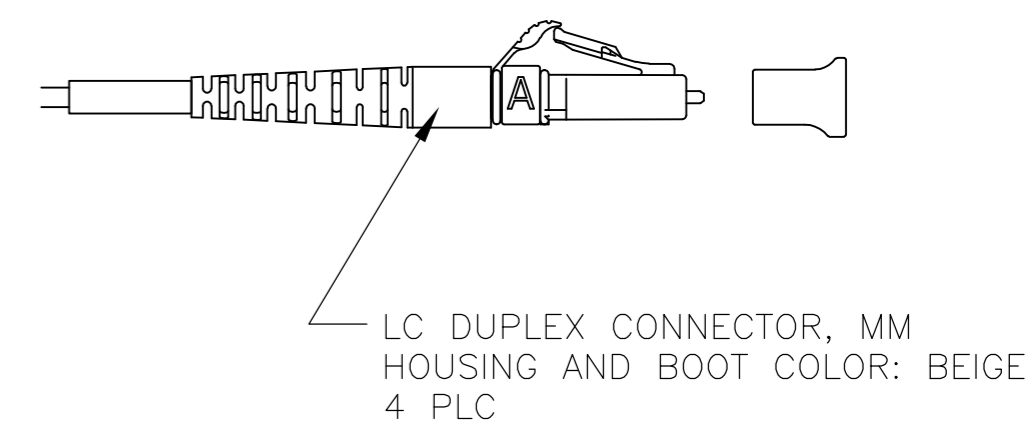
LOC	DIST	REVISIONS					
CE	00	P	LTR	DESCRIPTION	DATE	DWN	APVD
		A		NEW RELEASE	11JAN2013	KZ	RZ



VIEW Z-Z  
NOT TO SCALE

MPO FIBER NO	LC CONNECTOR
1	1B
2	2B
3	3B
4	4B
5	NOT USED
6	NOT USED
7	NOT USED
8	NOT USED
9	4A
10	3A
11	2A
12	1A

MPO CONNECTOR FIBER PATH



THIS DRAWING IS A CONTROLLED DOCUMENT.		DWN KIM ZHANG 11JAN2013	<b>TE</b> TE Connectivity
DIMENSIONS: METERS		CHK SIMON WU 11JAN2013	
TOLERANCES UNLESS OTHERWISE SPECIFIED:		APVD RICHARD ZHAO 11JAN2013	NAME CABLE ASSEMBLY, FIBER OPTIC, QSFP BREAKOUT OM3, LSZH 8 FIBER 3mm ROUND CABLE MPO NO/PINS TO 4 LC DUPLEX
MATERIAL		PRODUCT SPEC	SIZE A2
FINISH		APPLICATION SPEC	CAGE CODE 00779
		WEIGHT	DRAWING NO C=2148507
		CUSTOMER DRAWING	RESTRICTED TO
		SCALE NTS	SHEET 1 OF 2
			REV A

THIS DRAWING IS UNPUBLISHED. RELEASED FOR PUBLICATION  
 © COPYRIGHT - By - ALL RIGHTS RESERVED.


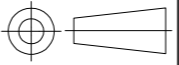
LOC	DIST	REVISIONS					
CE	00	P	LTR	DESCRIPTION	DATE	DWN	APVD
		-		SEE SHEET 1	-	-	-

PART NUMBER	L		MPO MAX IL	LC MAX IL
	MAX	MIN	(dB) $\triangle_1$	(dB) $\triangle_1$
2148507-1	1.050	0.950	0.70	0.30
2148507-2	2.050	1.950	0.71	0.31
2148507-3	3.050	2.950	0.71	0.31
2148507-4	4.080	3.920	0.71	0.31
2148507-5	5.080	4.920	0.72	0.32
2148507-6	6.080	5.920	0.72	0.32
2148507-7	7.080	6.920	0.72	0.32
2148507-8	8.080	7.920	0.73	0.33
2148507-9	9.150	8.850	0.73	0.33
1-2148507-0	10.150	9.850	0.74	0.34
1-2148507-1	11.150	10.850	0.74	0.34
1-2148507-2	12.150	11.850	0.74	0.34
1-2148507-3	13.150	12.850	0.75	0.35
1-2148507-4	14.150	13.850	0.75	0.35
1-2148507-5	15.150	14.850	0.75	0.35
1-2148507-6	16.160	15.840	0.76	0.36
1-2148507-7	17.170	16.830	0.76	0.36
1-2148507-8	18.180	17.820	0.76	0.36
1-2148507-9	19.190	18.810	0.77	0.37
2-2148507-0	20.200	19.800	0.77	0.37
2-2148507-1	21.210	20.790	0.77	0.37
2-2148507-2	22.220	21.780	0.78	0.38
2-2148507-3	23.230	22.770	0.78	0.38
2-2148507-4	24.240	23.760	0.78	0.38
2-2148507-5	25.250	24.750	0.79	0.39
2-2148507-6	26.260	25.740	0.79	0.39
2-2148507-7	27.270	26.730	0.79	0.39
2-2148507-8	28.280	27.720	0.80	0.40
2-2148507-9	29.290	28.710	0.80	0.40
3-2148507-0	30.300	29.700	0.81	0.41
3-2148507-1	31.310	30.690	0.81	0.41
3-2148507-2	32.320	31.680	0.81	0.41
3-2148507-3	33.330	32.670	0.82	0.42
3-2148507-4	34.340	33.660	0.82	0.42
3-2148507-5	35.350	34.650	0.82	0.42
3-2148507-6	36.360	35.640	0.83	0.43
3-2148507-7	37.370	36.630	0.83	0.43
3-2148507-8	38.380	37.620	0.83	0.43
3-2148507-9	39.390	38.610	0.84	0.44
4-2148507-0	40.400	39.600	0.84	0.44
4-2148507-1	41.410	40.590	0.84	0.44
4-2148507-2	42.420	41.580	0.85	0.45
4-2148507-3	43.430	42.570	0.85	0.45
4-2148507-4	44.440	43.560	0.85	0.45
4-2148507-5	45.450	44.550	0.86	0.46
4-2148507-6	46.460	45.540	0.86	0.46
4-2148507-7	47.470	46.530	0.86	0.46
4-2148507-8	48.480	47.520	0.87	0.47
4-2148507-9	49.490	48.510	0.87	0.47
5-2148507-0	50.500	49.500	0.88	0.48
5-2148507-5	55.550	54.450	0.89	0.49
6-2148507-0	60.600	59.400	0.91	0.51
6-2148507-5	65.650	64.350	0.93	0.53
7-2148507-0	70.700	69.300	0.95	0.55
7-2148507-5	75.750	74.250	0.96	0.56
8-2148507-0	80.800	79.200	0.98	0.58
8-2148507-5	86.000	84.000	1.00	0.60
9-2148507-0	91.350	88.650	1.02	0.62
9-2148507-5	96.425	94.575	1.03	0.63
9-2148507-9	101.500	98.500	1.05	0.65

$\triangle_1$  MAXIMUM INSERTION LOSS AT 850nm: SEE TABLE

$\triangle_2$  WHITE MARK ON CONNECTOR HOUSING INDICATES FIBER 1 SIDE.

3. PRODUCT AND PROCESSING MUST MEET REQUIREMENTS OF TEC-138-702.

THIS DRAWING IS A CONTROLLED DOCUMENT.		DWN	11JAN2013	 TE Connectivity
DIMENSIONS: METERS		CHK	11JAN2013	
TOLERANCES UNLESS OTHERWISE SPECIFIED:		APVD	11JAN2013	
		NAME	RICHARD ZHAO	
0 PLC ± - 1 PLC ± - 2 PLC ± - 3 PLC ± - 4 PLC ± - ANGLES ± -		PRODUCT SPEC		CABLE ASSEMBLY, FIBER OPTIC, QSFP BREAKOUT OM3, LSZH 8 FIBER 3mm ROUND CABLE MPO NO/PINS TO 4 LC DUPLEX
MATERIAL	FINISH	WEIGHT		RESTRICTED TO
CUSTOMER DRAWING		SCALE	NTS	SHEET 2 OF 2
		SIZE	A2	REV A
		CAGE CODE	00779	
		DRAWING NO	C=2148507	