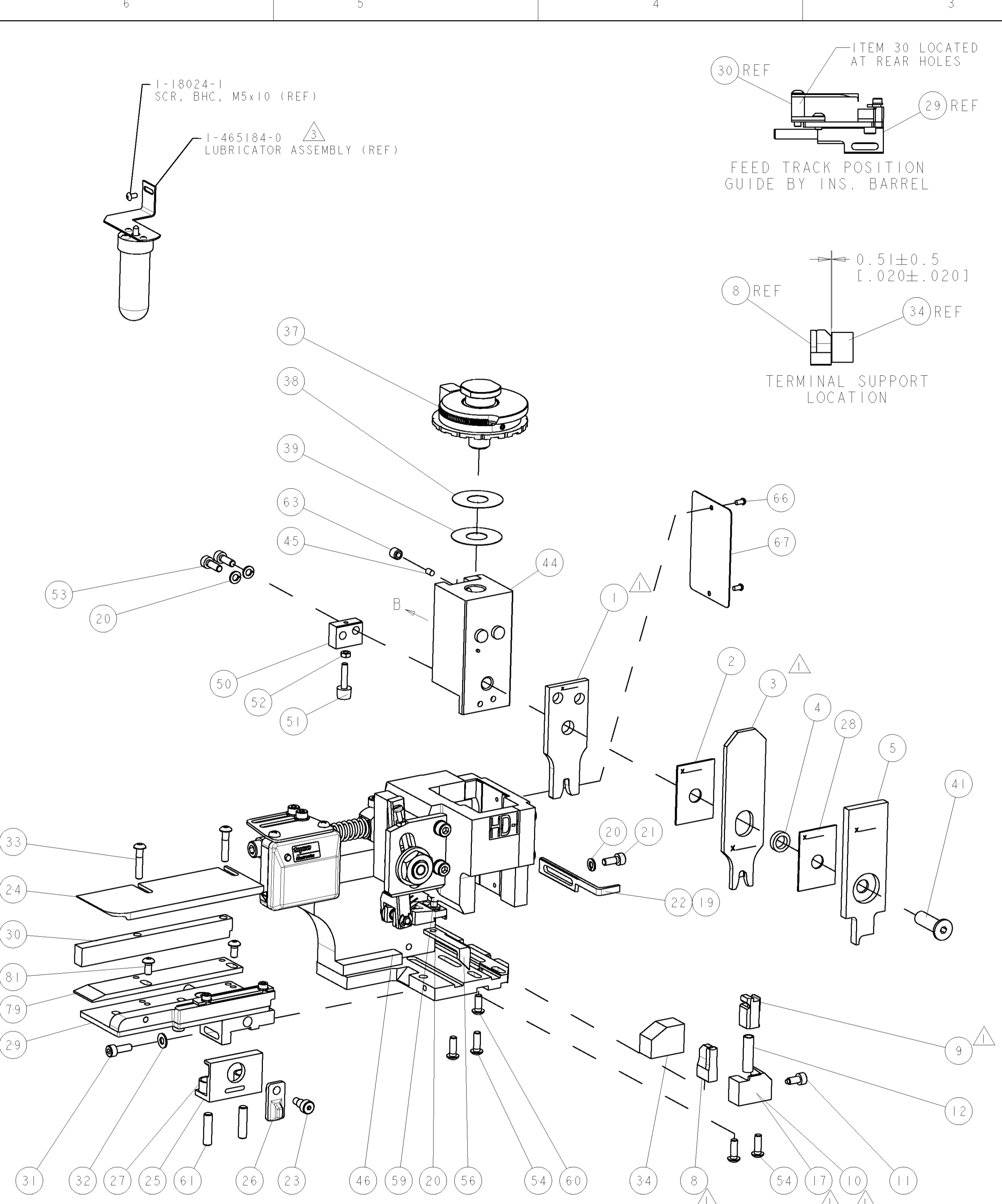
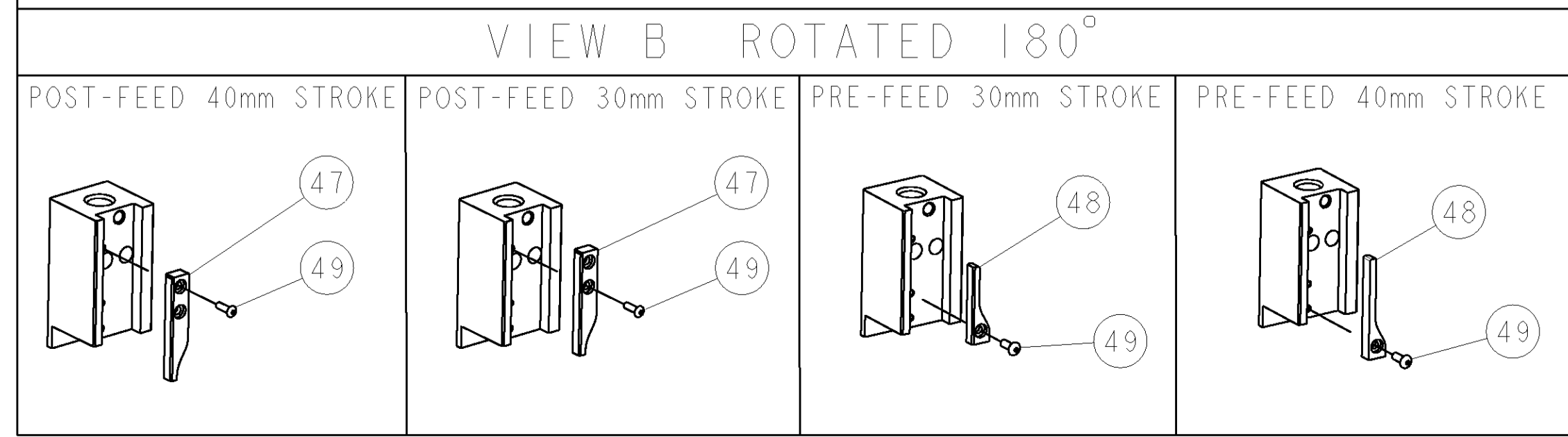


PART NUMBER	REV	TERMINATOR	FEED TYPE	DESCRIPTION
1528856-1	A	LEADMAKER	MECH POST FEED	CUTS CARRIER
1528856-2	A	BENCH	MECH PRE FEED	CUTS CARRIER
1528856-6	A	LEADMAKER	MECH POST FEED	CONTINUOUS CARRIER
7-1528856-1	A	LEADMAKER	MECH POST FEED	-1 AND SPARE PARTS
7-1528856-2	A	BENCH	MECH PRE FEED	-2 AND SPARE PARTS
7-1528856-6	A	LEADMAKER	MECH POST FEED	-6 AND SPARE PARTS
7-1528856-7	A	-	-	SPARE PARTS KIT

CRIMP DATA		TE TERMINAL	TE CRIMP SPECS
TERMINAL NAME: MALE TYPE XII CONTACT			
CRIMP	SIZE	TYPE	RANGE
WIRE	3.56 [1.40 IN]	F	1.50-3.00mm ²
INSUL	5.33 [2.10 IN]	OV	2.55-2.85 [1.00-.112 IN]
WIRE STRIP LENGTH 6.35-7.93 [2.50-.312 IN]		APPL INSTRUCTIONS 408-8322 & 408-8490	
TERMINAL APPL SPEC 114-18022		FEED 21.60 [0.850 IN]	
TERMINALS APPLIED			
66255	-	-	-
66256	-	-	-
66740	-	-	-
164771	-	-	-
164773	-	-	-
WIRE SIZE	CRIMP HEIGHT	REF SETTING	
3.00mm ²	2.54 ± 0.05 [1.00 ± .002 IN]	A 9	
2.50mm ²	2.42 ± 0.05 [0.95 ± .002 IN]	B 8	
1.50mm ²	2.18 ± 0.05 [0.86 ± .002 IN]	D 4	

- △ RECOMMENDED SPARE PARTS.
- 2. GREASE RAM, CAM, CAM FOLLOWER AND FEED ROD LIGHTLY.
- △ CERTAIN TERMINALS REQUIRE LUBRICATION. REFER TO THE APPLICATOR INSTRUCTION SHEET FOR MORE INFORMATION.
- 4. LUBRICATE DAILY PER THE APPLICATOR INSTRUCTION SHEET SUPPLIED WITH THE APPLICATOR.
- △ CRIMP DATA QUOTED IS SUITABLE FOR THE GERMAN MARKET.

*** WARNING**
ON INSTALLATION, SET WIRE DISC TO LARGEST WIRE SIZE SETTING. USE OF SETTINGS BELOW MIN. REQUIRED CRIMP HEIGHT SETTING WILL CAUSE DAMAGE TO CRIMP TOOLING.



SET UP GAGE 458637-3		LOC	DIST	REVISONS			
A	66	P	LTR	DESCRIPTION	DATE	BY	APPD
		A		SEE ECO-07-026134	05NOV2007	LJL	MC

QTY	REV	DESCRIPTION	ITEM NO	
-	-	-	73	
-	-	-	72	
-	1	1 1 1 1 1 1 1338705-3	DOCUMENTATION PACKAGE	71
-	-	-	70	
-	-	-	69	
-	-	-	68	
-	1	1 1 1 1 1 1 461264-5	PLATE, IDENTIFICATION	67
-	2	2 2 2 2 2 2 21017-2	SCREW, DRIVE	66
-	-	-	65	
-	-	-	64	
-	1	1 1 1 1 1 1 3-18031-0	SCR, SET, CUP POINT M6 X 6.0	63
-	-	-	62	
-	2	2 2 2 2 2 2 2-18032-5	SCR, SET, FLT POINT M5 X 20.0	61
-	1	1 1 1 1 1 1 18024-7	SCR, BTN SKT HD CAP (M4 X 10.0)	60
-	1	1 1 1 1 1 1 5-18022-2	SCR, HEX HD CAP M4 X 8.0	59
-	-	-	58	
-	-	-	57	
-	1	1 1 1 1 1 1 1338685-1	PAWL, FEED	56
-	-	-	55	
-	4	4 4 4 4 4 4 18024-8	SCR, BTN SKT HD CAP (M4 X 12.0)	54
-	2	2 2 2 2 2 2 1-18023-2	SCR, SKT HD CAP M4 X 12.0	53
-	1	1 1 1 1 1 1 18030-1	NUT, HEX, REG M3	52
-	1	1 1 1 1 1 1 811242-5	BUMPER, HOLD DOWN	51
-	1	1 1 1 1 1 1 690753-2	SPACER, TONKER	50
-	1	1 1 1 1 1 1 18024-3	SCR, BTN SKT HD CAP (M3 X 10.0)	49
-	1	1 1 1 1 1 1 1338675-1	CAM, UNIVERSAL PRE FEED	48
-	1	1 1 1 1 1 1 1338676-1	CAM, UNIVERSAL POST-FEED	47
-	1	1 1 1 1 1 1 1320999-4	APPLICATOR SUBASSEMBLY, HDI	46
-	1	1 1 1 1 1 1 690191-1	PLUG, NYLON	45
-	1	1 1 1 1 1 1 1333257-1	RAM	44
-	-	-	43	
-	-	-	42	
-	1	1 1 1 1 1 1 992285-2	SCR, LOW SKT HD CAP M8 X 25.0	41
-	-	-	40	
-	1	1 1 1 1 1 1 690125-1	SHIM SUB-ASSY	39
-	1	1 1 1 1 1 1 469367-1	SHIM	38
-	1	1 1 1 1 1 1 879103-2	FINE ADJUST HEAD ASSEMBLY	37
-	-	-	36	
-	-	-	35	
-	1	1 1 1 1 1 1 1320934-4	SUPPORT, TERMINAL	34
-	2	2 2 2 2 2 2 1-18024-0	SCR, BTN SKT HD CAP (M4 X 20.0)	33
-	1	1 1 1 1 1 1 18027-2	WASHER, FLAT, REG M4	32
-	1	1 1 1 1 1 1 1-18023-2	SCR, SKT HD CAP M4 X 12.0	31
-	1	1 1 1 1 1 1 1320908-4	SPACER, STRIP GUIDE	30
-	1	1 1 1 1 1 1 1633073-1	STRIP GUIDE ASSEMBLY	29
-	1	1 1 1 1 1 1 455888-8	SPACER, CRIMPER	28
-	2	2 2 2 2 2 2 1-22284-0	SPRING, COMPRESSION	27
-	1	1 1 1 1 1 1 356835-1	LEVER, DRAG RELEASE	26
-	1	1 1 1 1 1 1 240792-1	DRAG, TERMINAL	25
-	1	1 1 1 1 1 1 1320928-3	PLATE, STRIP GUIDE	24
-	1	1 1 1 1 1 1 980371-4	SCR, SKT HD SHLDR 5.0 DIA X 6.0	23
-	1	1 1 1 1 1 1 690472-2	STRIPPER	22
-	1	1 1 1 1 1 1 1-18023-1	SCR, SKT HD CAP M4 X 10.0	21
-	4	4 4 4 4 4 4 18025-2	WASHER, SPRG LOCK, REG M4	20
-	1	1 1 1 1 1 1 690472-1	STRIPPER	19
-	-	-	18	
-	1	1 1 1 1 1 1 1338684-1	SHEAR HOLDER, FRONT	17
-	-	-	16	
-	-	-	15	
-	-	-	14	
-	-	-	13	
-	1	1 1 1 1 1 1 3-22280-3	SPRING, COMPRESSION	12
-	1	1 1 1 1 1 1 356885-4	STOP, SHEAR	11
-	1	1 1 1 1 1 1 1320921-1	SHEAR HOLDER, FRONT, CUT	10
-	1	1 1 1 1 1 1 454276-1	FLOATING SHEAR, FRONT	9
-	1	2 2 2 2 1 1 1633137-5	ANVIL, COMBINATION .140	8
-	-	-	7	
-	-	-	6	
-	1	1 1 1 1 1 1 2-455889-4	DEPRESSOR, SHEAR	5
-	1	1 1 1 1 1 1 238011-2	BLOCK, CRIMPER SPACER	4
-	1	2 2 2 2 1 1 1-318903-6	CRIMPER, INSULATION OVERLAP	3
-	1	1 1 1 1 1 1 455888-9	SPACER, CRIMPER	2
-	1	2 2 2 2 1 1 456411-4	CRIMPER, WIRE PREMIUM	1

QTY	REV	DESCRIPTION	ITEM NO	
-	-	-	84	
-	-	-	83	
-	-	-	82	
-	2	2 2 2 2 2 2 18024-6	SCR, BTN SKT HD CAP (M4 X 8.0)	81
-	-	-	80	
-	1	1 1 1 1 1 1 525891-1	EXTENSION PLATE STRIP GUIDE ASSEMBLY	79
-	-	-	78	
-	-	-	77	
-	-	-	76	
-	-	-	75	
-	-	-	74	

QTY	REV	DESCRIPTION	ITEM NO	
-	-	-	84	
-	-	-	83	
-	-	-	82	
-	2	2 2 2 2 2 2 18024-6	SCR, BTN SKT HD CAP (M4 X 8.0)	81
-	-	-	80	
-	1	1 1 1 1 1 1 525891-1	EXTENSION PLATE STRIP GUIDE ASSEMBLY	79
-	-	-	78	
-	-	-	77	
-	-	-	76	
-	-	-	75	
-	-	-	74	

QTY	REV	DESCRIPTION	ITEM NO	
-	-	-	84	
-	-	-	83	
-	-	-	82	
-	2	2 2 2 2 2 2 18024-6	SCR, BTN SKT HD CAP (M4 X 8.0)	81
-	-	-	80	
-	1	1 1 1 1 1 1 525891-1	EXTENSION PLATE STRIP GUIDE ASSEMBLY	79
-	-	-	78	
-	-	-	77	
-	-	-	76	
-	-	-	75	
-	-	-	74	

QTY	REV	DESCRIPTION	ITEM NO	
-	-	-	84	
-	-	-	83	
-	-	-	82	
-	2	2 2 2 2 2 2 18024-6	SCR, BTN SKT HD CAP (M4 X 8.0)	81
-	-	-	80	
-	1	1 1 1 1 1 1 525891-1	EXTENSION PLATE STRIP GUIDE ASSEMBLY	79
-	-	-	78	
-	-	-	77	
-	-	-	76	
-	-	-	75	
-	-	-	74	

QTY	REV	DESCRIPTION	ITEM NO	
-	-	-	84	
-	-	-	83	
-	-	-	82	
-	2	2 2 2 2 2 2 18024-6	SCR, BTN SKT HD CAP (M4 X 8.0)	81
-	-	-	80	
-	1	1 1 1 1 1 1 525891-1	EXTENSION PLATE STRIP GUIDE ASSEMBLY	79
-	-	-	78	
-	-	-	77	
-	-	-	76	
-	-	-	75	
-	-	-	74	

QTY	REV	DESCRIPTION	ITEM NO	
-	-	-	84	
-	-	-	83	
-	-	-	82	
-	2	2 2 2 2 2 2 18024-6	SCR, BTN SKT HD CAP (M4 X 8.0)	81
-	-	-	80	
-	1	1 1 1 1 1 1 525891-1	EXTENSION PLATE STRIP GUIDE ASSEMBLY	79
-	-	-	78	
-	-	-	77	
-	-	-	76	
-	-	-	75	
-	-	-	74	

QTY	REV	DESCRIPTION	ITEM NO	
-	-	-	84	
-	-	-	83	
-	-	-	82	
-	2	2 2 2 2 2 2 18024-6	SCR, BTN SKT HD CAP (M4 X 8.0)	81
-	-	-	80	
-	1	1 1 1 1 1 1 525891-1	EXTENSION PLATE STRIP GUIDE ASSEMBLY	79
-	-	-	78	
-	-	-	77	
-	-	-	76	
-	-	-	75	
-	-	-	74	

QTY	REV	DESCRIPTION	ITEM NO	
-	-	-	84	
-	-	-	83	
-	-	-	82	
-	2	2 2 2 2 2 2 18024-6	SCR, BTN SKT HD CAP (M4 X 8.0)	81
-	-	-	80	
-	1	1 1 1 1 1 1 525891-1	EXTENSION PLATE STRIP GUIDE ASSEMBLY	79
-	-	-	78	
-	-	-	77	
-	-	-	76	
-	-	-	75	
-	-	-	74	

QTY	REV	DESCRIPTION	ITEM NO	
-	-	-	84	
-	-	-	83	
-	-	-	82	
-	2	2 2 2 2 2 2 18024-6	SCR, BTN SKT HD CAP (M4 X 8.0)	81
-	-	-	80	
-	1	1 1 1 1 1 1 525891-1	EXTENSION PLATE STRIP GUIDE ASSEMBLY	79
-	-	-	78	
-	-	-	77	
-	-	-	76	
-	-	-	75	
-	-	-	74	

QTY	REV	DESCRIPTION	ITEM NO	
-	-	-	84	
-	-	-	83	
-	-	-	82	
-	2	2 2 2 2 2 2 18024-6	SCR, BTN SKT HD CAP (M4 X 8.0)	81
-	-	-	80	
-	1	1 1 1 1 1 1 525891-1	EXTENSION PLATE STRIP GUIDE ASSEMBLY	79
-	-	-	78	
-	-	-	77	
-	-	-	76	
-	-	-	75	
-	-	-	74	

QTY	REV	DESCRIPTION	ITEM NO	
-	-	-	84	
-	-	-	83	
-	-	-	82	
-	2	2 2 2 2 2 2 18024-6	SCR, BTN SKT HD CAP (M4 X 8.0)	81
-	-	-	80	
-	1	1 1 1 1 1 1 525891-1	EXTENSION PLATE STRIP GUIDE ASSEMBLY	79
-	-	-	78	
-	-	-	77	
-	-	-	76	
-	-	-	75	
-	-	-	74	

QTY	REV	DESCRIPTION	ITEM NO	
-	-	-	84	
-	-	-	83	
-	-	-	82	
-	2	2 2 2 2 2 2 18024-6	SCR, BTN SKT HD CAP (M4 X 8.0)	81
-	-	-	80	
-	1	1 1 1 1 1 1 525891-1	EXTENSION PLATE STRIP GUIDE ASSEMBLY	79
-	-	-	78	
-	-	-	77	
-	-	-	76	
-	-	-	75	
-	-	-	74	

QTY	REV	DESCRIPTION	ITEM NO	
-	-	-	84	
-	-	-	83	
-	-	-	82	
-	2	2 2 2 2 2 2 18024-6	SCR, BTN SKT HD CAP (M4 X 8.0)	81
-	-	-	80	
-	1	1 1 1 1 1 1 525891-1	EXTENSION PLATE STRIP GUIDE ASSEMBLY	79
-	-	-	78	
-	-	-	77	
-	-	-	76	
-	-	-	75	
-	-	-	74	

QTY	REV	DESCRIPTION	ITEM NO	
-	-	-	84	
-	-	-	83	
-	-	-	82	
-	2	2 2 2 2 2 2 18024-6	SCR, BTN SKT HD CAP (M4 X 8.0)	81
-	-	-	80	
-	1	1 1 1 1 1 1 525891-1	EXTENSION PLATE STRIP GUIDE ASSEMBLY	79
-	-	-	78	
-	-	-	77	
-	-	-	76	
-	-	-	75	
-	-	-	74	

QTY	REV	DESCRIPTION	ITEM NO	
-	-	-	84	
-	-	-	83	
-	-	-	82	
-	2	2 2 2 2 2 2 18024-6	SCR, BTN SKT HD CAP (M4 X 8.0)	81
-	-	-	80	
-	1			