

▶ QUARTER-TURN LOCKS

KNOB LOCK (Plastic)

161

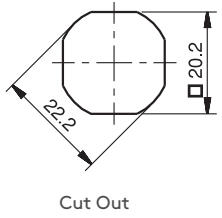
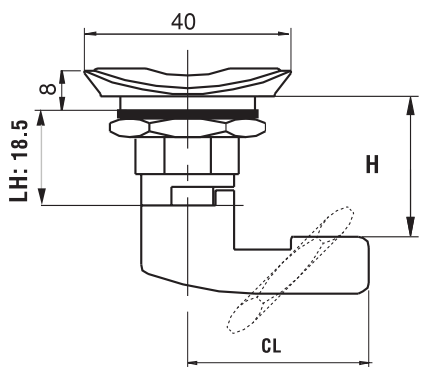


IP 65



LH/RH

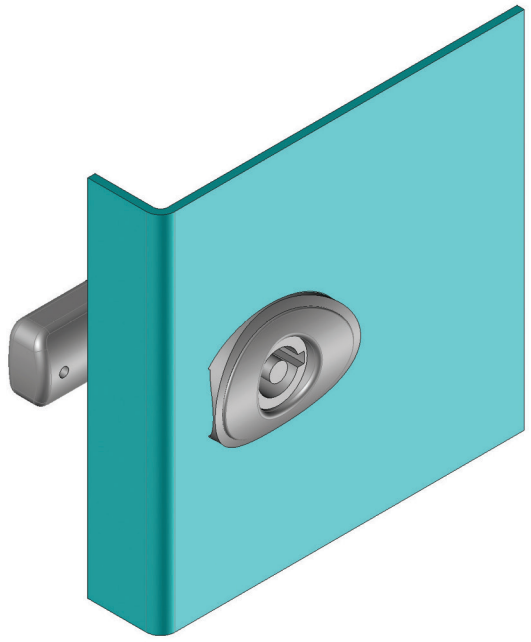
RoHS



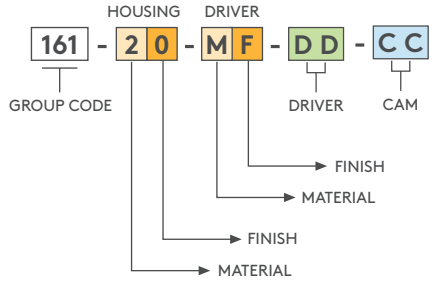
- Designed to act as a knob
- For special colours, please contact Essentra

APPLICATIONS
Electric panels, machinery covers

MATERIAL
HOUSING: Polyamide DIN-EN ISO 1043-1 PA6 GFR 30
DRIVER: Zamak or PA6 GFR 30
NUT: Zamak or PA6 GFR 30
CAM: Steel or Plastic



PRODUCT CODE



MATERIAL		M	FINISH		F
Zamak		1	Chrome		1
Plastic		2	Black coated		2
			No finish		0

- For cams please check pages: 144 - 145
- For drivers please check page: 166
- For keys please check pages : 162 - 163