



SCALE-2® IGBT-Driver Core

2SC0535T –
Dual-Channel IGBT-Driver for 3.3kV IGBTs

PRODUCT DESCRIPTION

The driver is designed for industrial and traction applications requiring high reliability. The 2SC0535T drives all usual high-voltage IGBT modules up to 3300V. Its embedded paralleling capability allows easy inverter design covering higher power ratings. Multi-level topologies with 1700V IGBTs with higher requirements on the isolation can also be easily supported by 2SC0535T. The SCALE-2® driver core 2SC0535T combines unrivalled compactness with broad applicability and cost efficiency.

The 2SC0535T is the most compact driver core in its voltage and power range, featuring a footprint of only 76.5mm x 59.2mm and an insertion height of max. 26mm. It allows even the most restricted insertion spaces to be efficiently used. Compared with conventional drivers, the highly integrated SCALE-2 chipset allows about 85% of components to be dispensed with. This advantage is impressively reflected in increased reliability at simultaneously minimized cost.

The 2SC0535T combines a complete dual-channel driver core with all necessary safety features, such as short-circuit protection, advanced active clamping, an isolated DC/DC converter as well as supply voltage monitoring. Each of the two output channels is

electrically isolated from the primary side and the other secondary channel.

An output current of 35A and 5W drive power is available per channel, making the 2SC0535T an ideal driver platform for both high-power modules and parallel circuits. In dedicated IGBT mode, the driver provides a gate voltage swing of +15V/-10V. The turn-on voltage is regulated to maintain stable 15V regardless of the output power level. Moreover, its temperature range has been increased to -55...85°C to cover applications requiring lower temperature capability.

APPLICATIONS

- Traction
- Railroad power supplies
- Light rail vehicles
- HVDC
- Flexible AC transmission systems (FACTS)
- Medium-voltage converters
- Wind-power converters
- Industrial drives
- Medical applications

KEY BENEFIT

The 2SC0535T is the most compact driver core in its voltage and power range - a cost-effective and compact dual-channel solution for various 3.3kV applications.

KEY FEATURES

- IGBT blocking voltages up to 3300V
- 2-level and multilevel topologies
- Embedded paralleling capability
- Switching frequency up to 100kHz
- Very short delay time of <100ns
- Small jitter of ±2ns
- Gate current ±35A
- +15V (regulated)/-10V gate driving
- Interface for 3.3V...15V logic level
- Direct and half-bridge modes
- IGBT short-circuit protection
- Supply under-voltage lockout
- Isolated DC/DC converter
- 2 x 5W output power
- Operating temperature -55...85°C
- Safe isolation EN50178 and EN50124
- UL compliant
- Superior EMC
- Reliable, long service life

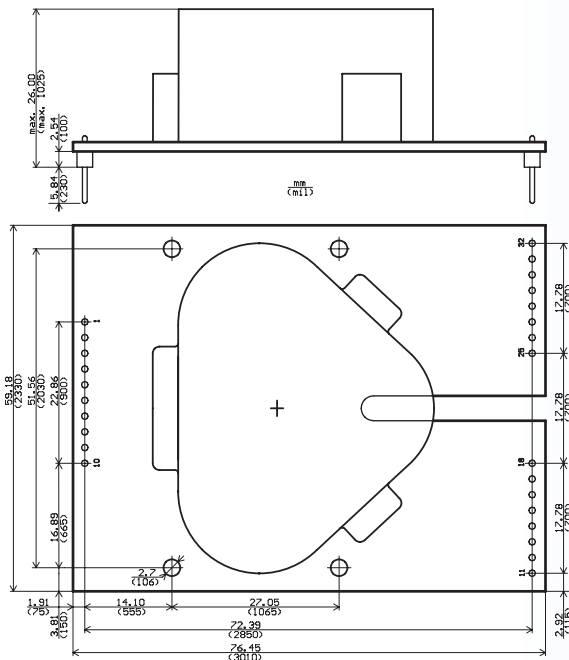
KEY DATA OVERVIEW

Parameter	Min	Typical	Max	Unit
Nominal supply voltage		15		V
Supply current @ f_{IN} 0Hz		87		mA
Supply current, full load		900		mA
Output power per channel		5		W
Gate voltage		+15/-10		V
Peak output current (gate current)	-35		+35	A
Switching frequency f_{IN}	0		100	kHz
Duty cycle	0		100	%
Turn-on delay		70		ns
Turn-off delay		70		ns
Output rise time		20		ns
Output fall time		20		ns
Creepage distance primary-secondary	44			mm
Creepage secondary-secondary	22			mm
Clearance distance primary-secondary	25			mm
Clearance distance secondary-secondary	14			mm
Dielectric test voltage	9100			V _{AC}
Partial discharge extinction voltage	4125			V _{peak}
dv/dt immunity, input to output		50		kV/us
Operating temperature	-55		+85	°C

MECHANICAL DIMENSIONS 2SC0535T

The primary and secondary side pin grid is 2.54mm (100mil) with a pin cross section of 0.64mm x 0.64mm. Total outline dimensions of the board are 59.2mm x 76.5mm. The total height of the driver is max. 26mm measured from the bottom of the pin bodies to the top of the populated PCB.

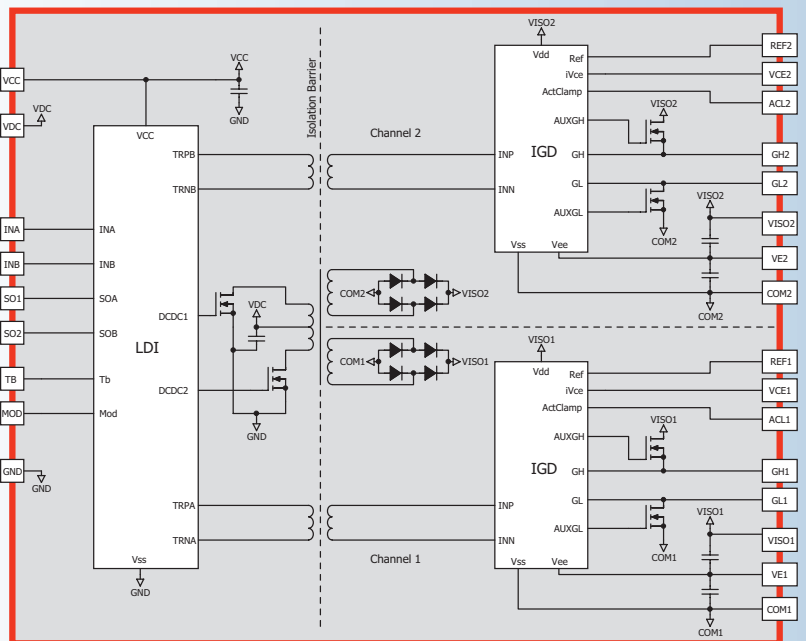
Mechanical drawing of 2SC0535T



DRIVING PARALLEL-CONNECTED IGBTs

The driver allows direct parallel connection of any number of IGBT modules with individual drivers. This new pioneering concept for simple and reliable parallel connection makes it practical for the first time to set up converter series with discrete modules as well as parallel-connected IGBTs without any additional development effort.

Basic schematic of the 2SC0535T



ORDERING INFORMATION 2SC0535T DRIVER CORE

Type Designation	Evaluation Board ¹⁾	Base Board ²⁾
2SC0535TA0-33	2EB0535T2A0	2BB0535T2A0-17, -25, -33

¹⁾ For an easy start of operation and low voltage verification the evaluation board is recommended.

²⁾ Please use the base boards for any high-voltage measurements and tests.



CT-Concept Technologie AG

2504 Biel | Switzerland

Phone +41 32 344 47 47

E-mail Sales@IGBT-Driver.com

59469 Ense | Germany

+49 2938 643 9990

Sales.Ense@IGBT-Driver.com

Naples | FL USA 34101-9799

+1 239 249 9254

Sales.USA@IGBT-Driver.com

518054 Shenzhen | China

+86 755 8663 6456

Sales.China@IGBT-Driver.com

Bangalore | India 560037

+91 9990 455 666

Sales.India@IGBT-Driver.com