

5

4

3

2

1

受控 CONFIDENTIAL DOCUMENT

40-9856M-CUST Sep2,10

DRAWING NO.  
40-9856M-CUST

REVISIONS				
01	OFFICIAL RELEASE			
	08-30-10	J	Y	H

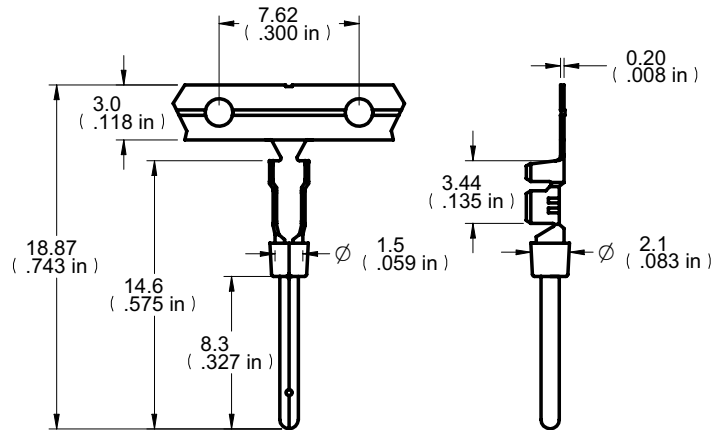
D



Description: D-sub M Crimp Pins  
 Part No: 40-9856M  
 Application: D-Sub Pin& Sockets  
 Crimp Tool: N/A  
 Impedance: N/A  
 Frequency Range: N/A  
 Material: Pin Brass, Gold plated  
 RoHS Compliance: Yes  
 Technical Detail: N/A

C

B



**DIM OUTLINE**

P/N	PACKAGE
40-9856M	100 PCS/BAG

A

TOLERANCE UNLESS OTHERWISE SPECIFIED		DRAWN BY	DATE
DECIMALS	mm	JEAN.JIN	08-30-10
X	± 0.5	CHECKED BY	DATE
X.X	± 0.3	BETTY.YU	08-30-10
X.XX	± 0.1	APPROVED BY	DATE
ANGLES	± 0.5°	THOMAS	08-30-10
	U/M	mm	



TITLE  
D-SUB M CRIMP PINS (100/BAG)

THIS DRAWING WAS PRODUCED BY COMPUTER,  
DO NOT SCALE DRAWING OR UPDATE MANUALLY.

SHEET 1 OF 1	DRAWING NO. 40-9856M-CUST	SIZE A
-----------------	------------------------------	-----------

5

4

3

2

1

D

C

B

A