

THIS DRAWING IS UNPUBLISHED. RELEASED FOR PUBLICATION JULY, 2006.

© COPYRIGHT 2006 BY TYCO ELECTRONICS CORPORATION. ALL RIGHTS RESERVED.

LOC	DIST	REVISIONS					
E	B	P	LTR	DESCRIPTION	DATE	DWN	APVD
		B		ECR-06-017552	20JUL06	JMS	FWK

NOTES:

- 1 PACK IN ACCORDANCE WITH AMP SPEC 107-3275
- 2 100 TRAY PACK IN ACCORDANCE WITH AMP SPEC 107-3275
- 3 Ag PLATING
- 4 Ni PLATING
- 5 THIS ITEM MUST BE WHITE

6 ELECTRICAL CHARACTERISTICS

FREQUENCY RANGE:	DC - 2 GHz
NOMINAL IMPEDANCE:	75 Ohm
INSULATION RESISTANCE:	5000 MOhm
WORKING VOLTAGE:	500 Volts RMS at Sea Level
DIELECTRIC WITHSTAND VOLTAGE:	1500 Volts RMS Max
CONTACT RESISTANCE:	
CENTRE CONTACT:	1.50 mOhm Max
OUTER CONTACT:	0.20 mOhm Max
VSWR @ 2GHz:	1.20:1 Max
INSERTION LOSS dB @ x 2 GHz:	0.20 Max

7 MECHANICAL CHARACTERISTICS

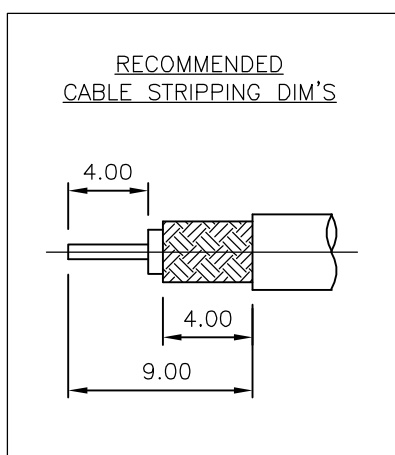
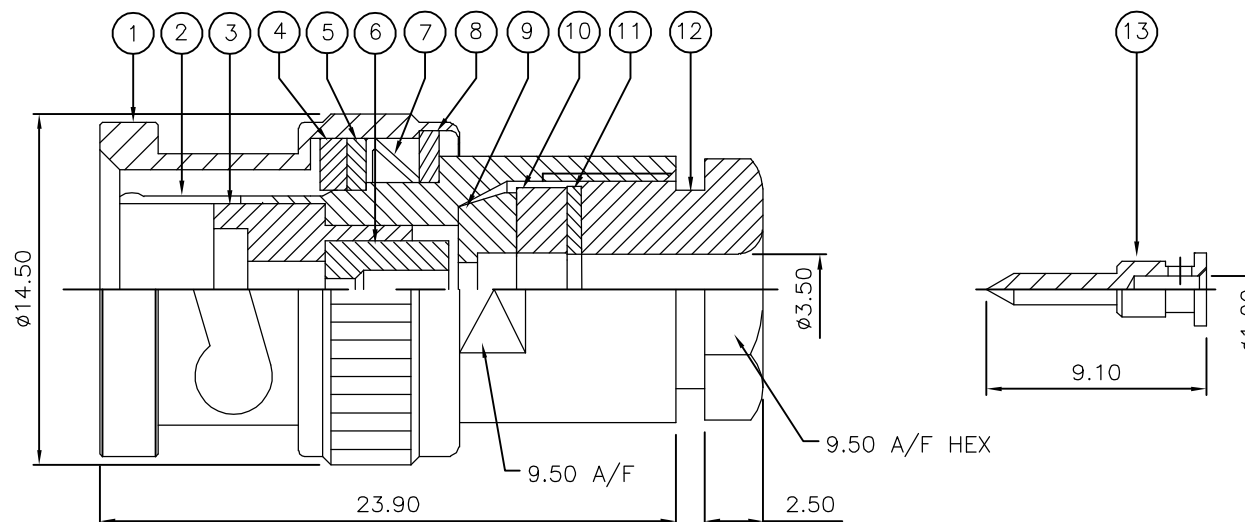
COUPLING RETENTION FORCE:	445N Min
CABLE RETENTION FORCE:	85N Min
CLAMP NUT RECOMMENDED TORQUE:	4N
DURABILITY:	500 Cycles Min

8 ENVIRONMENTAL CHARACTERISTICS

OPERATING TEMPERATURE:	-65 to +165 DegC
------------------------	------------------

9 FOR TECHNICAL DATA REFER TO YOUR LOCAL TYCO ELECTRONICS SALES OFFICE

10 ALL DIMENSIONS ARE NOMINAL FOR REFERENCE ONLY UNLESS OTHERWISE STATED



QTY	QTY	MATERIAL	DESCRIPTION	ITEM
1	1	BRASS	CONTACT	13
1	1	BRASS	CLAMP NUT	12
1	1	BRASS	WASHER	11
1	1	SILICONE RUBBER	GASKET	10
1	1	BRASS	SLEEVE	9
1	1	BRASS	WASHER	8
1	1	SPRING STEEL	SPRING	7
1	1	PTFE	INSULATION	6
1	1	BRASS	RETAINING RING	5
1	1	SILICONE RUBBER	GASKET	4
1	1	PTFE	INSULATION	3
1	1	BRASS	BODY	2
1	1	BRASS	SHELL	1
6--0	1--0	MATERIAL	DESCRIPTION	ITEM
QUANTITY PER ASSY		PARTS LIST		

THIS DRAWING IS A CONTROLLED DOCUMENT.		DWN J.SANDWELL 20JUL06	Tyco Electronics Corporation Bideford EX39 4HE															
DIMENSIONS: mm		CHK S.PARLOW 20JUL06																
TOLERANCES UNLESS OTHERWISE SPECIFIED:		APVD F.WHEELER-KING 20JUL06	NAME BNC STRAIGHT PLUG SOLDER 75 OHM RG179B/U, 187A/U, URM111															
<table border="0"> <tr><td>0 PLC</td><td>± -</td></tr> <tr><td>1 PLC</td><td>± -</td></tr> <tr><td>2 PLC</td><td>± -</td></tr> <tr><td>3 PLC</td><td>± -</td></tr> <tr><td>4 PLC</td><td>± -</td></tr> <tr><td>ANGLES</td><td>± -</td></tr> <tr><td>FINISH</td><td>-</td></tr> </table>		0 PLC	± -	1 PLC	± -	2 PLC	± -	3 PLC	± -	4 PLC	± -	ANGLES	± -	FINISH	-	PRODUCT SPEC -	APPLICATION SPEC -	
0 PLC	± -																	
1 PLC	± -																	
2 PLC	± -																	
3 PLC	± -																	
4 PLC	± -																	
ANGLES	± -																	
FINISH	-																	
MATERIAL SEE TABLE		WEIGHT -	SIZE A3	CAGE CODE 00779														
		DRAWING NO C-1478152		RESTRICTED TO -														
CUSTOMER DRAWING		SCALE NTS	SHEET 1 OF 1	REV B														