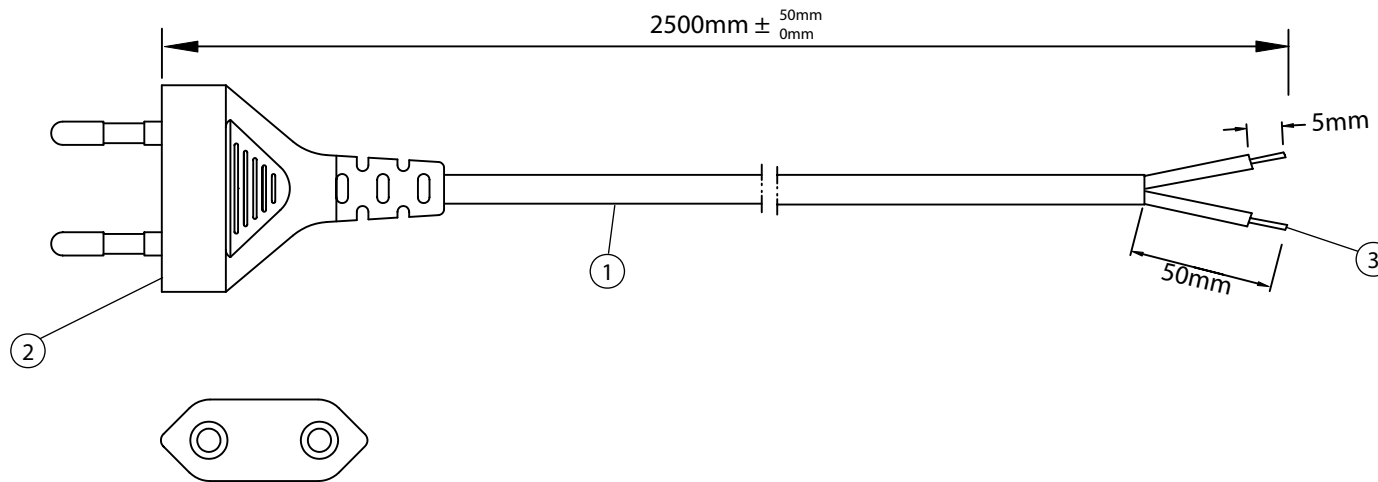


THESE DRAWINGS ARE THE PROPERTY OF QUALTEK ELECTRONICS AND NOT TO BE REPRODUCED FOR OR COMMUNICATED TO A THIRD PARTY WITHOUT THE EXPRESS WRITTEN PERMISSION OF AN OFFICER OF QUALTEK ELECTRONICS.

REVISION			
REV.	DESCRIPTION	DATE	APPROVED



NOTES:

1. CORDAGE: H03VVH2-F, 2 x 0.75mm², UNSHIELDED, CEE COLOR CODE, TEMP. RATING: 70°C, RATING 250V 2.5A, JACKET COLOR: BLACK
2. PLUG: KS C8305
3. OTHER END: ROJ 50mm, STRIP 5mm
4. APPROVALS: KTL
5. ROHS COMPLIANT

CONTROLLED

Dim range (mm)		Tolerance +/- (mm)		Qualtek Electronics Corp. PPC DIVISION		
0-1	0.15	Part Number: 385007-01		<div style="border: 1px solid green; padding: 2px; display: inline-block;">RoHS Compliant</div>		
1-6	0.20	Description: POWER CORD				
6-18	0.30	UNIT: mm				
18-50	0.50	Drawn / Date		Checked / Date		Approved / Date
50-120	0.70	R.Nuti 10-17-11		10-17-11		LY / 10-17-11
120-250	0.90					
250-500	1.20					