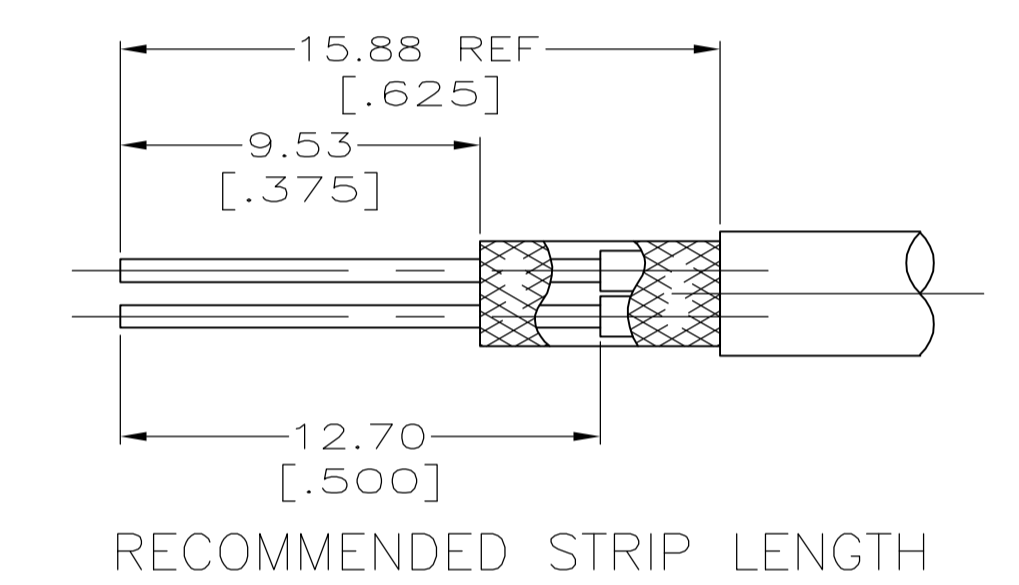
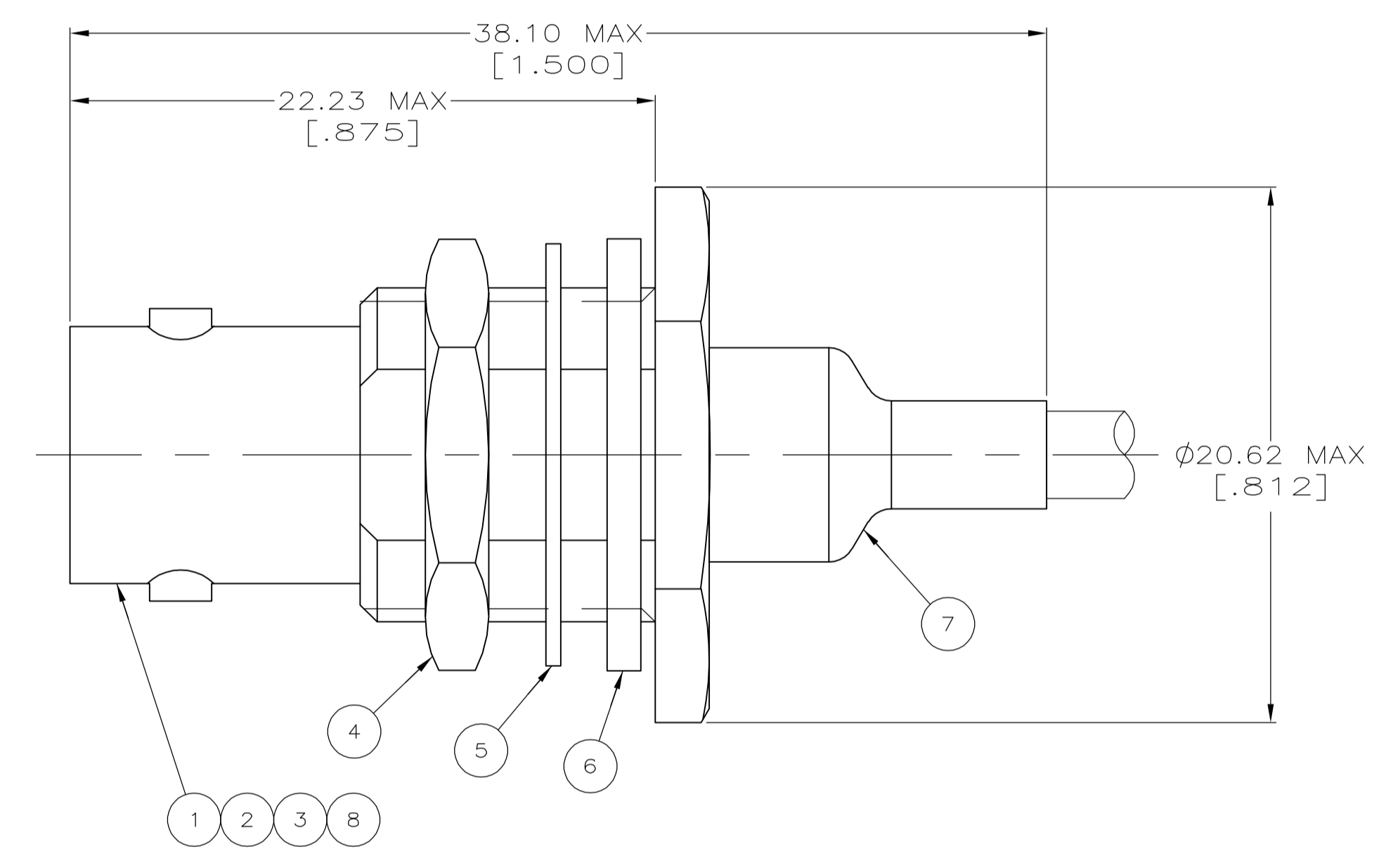
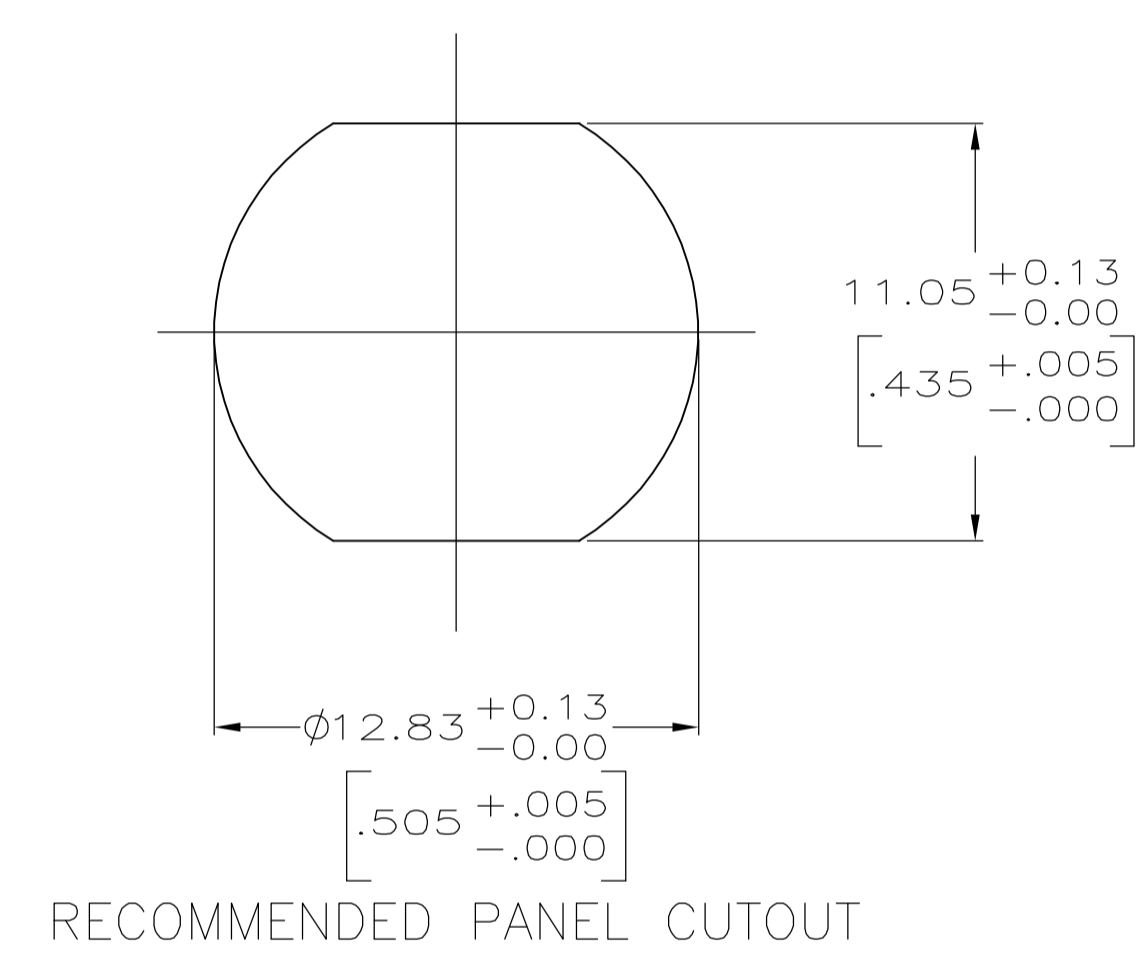


1. CRIMP USING PRO-CRIMPER 354940-1 WITH DIE SET 91909-1.
2. PARTS PACKAGED UNASSEMBLED.



RG-108 & 108A	1-332210-0	9-332224-1	329633	9-329632-0	9-329631-0	332214	1-332221-0	9-329791-1	5332342	
FOR USE WITH CABLE	CRIMP TOOL	8 DIELECTRIC QTY=1	7 FERRULE QTY=1	6 GASKET QTY=1	5 LOCKWASHER QTY=1	4 JAM NUT QTY=1	3 SEAL QTY=1	2 CRIMP END ASSEMBLY QTY=1	1 BODY, JACK, BULKHEAD QTY=1	PART NUMBER

THIS DRAWING IS A CONTROLLED DOCUMENT.

DIMENSIONS: mm [INCHES]	TOLERANCES UNLESS OTHERWISE SPECIFIED:	DWN L. VARELA - DOCKS 21APR2005		Tyco Electronics Corporation Harrisburg, PA 17105-3608
0 PLC ± -	1 PLC ± -	CHK J. HAVENER 21APR2005		NAME JACK, BHD, TWIN BNC
2 PLC ± -	3 PLC ± 0.41 [016]	APVD J. LIPPERT 21APR2005	PRODUCT SPEC	APPLICATION SPEC
4 PLC ± -	ANGLES ± -		SIZE A1	CAGE CODE 00779
MATERIAL -	FINISH -		WEIGHT -	DRAWING NO. 5332342
			CUSTOMER DRAWING	SCALE 5:1 SHEET 1 OF 1 REV A