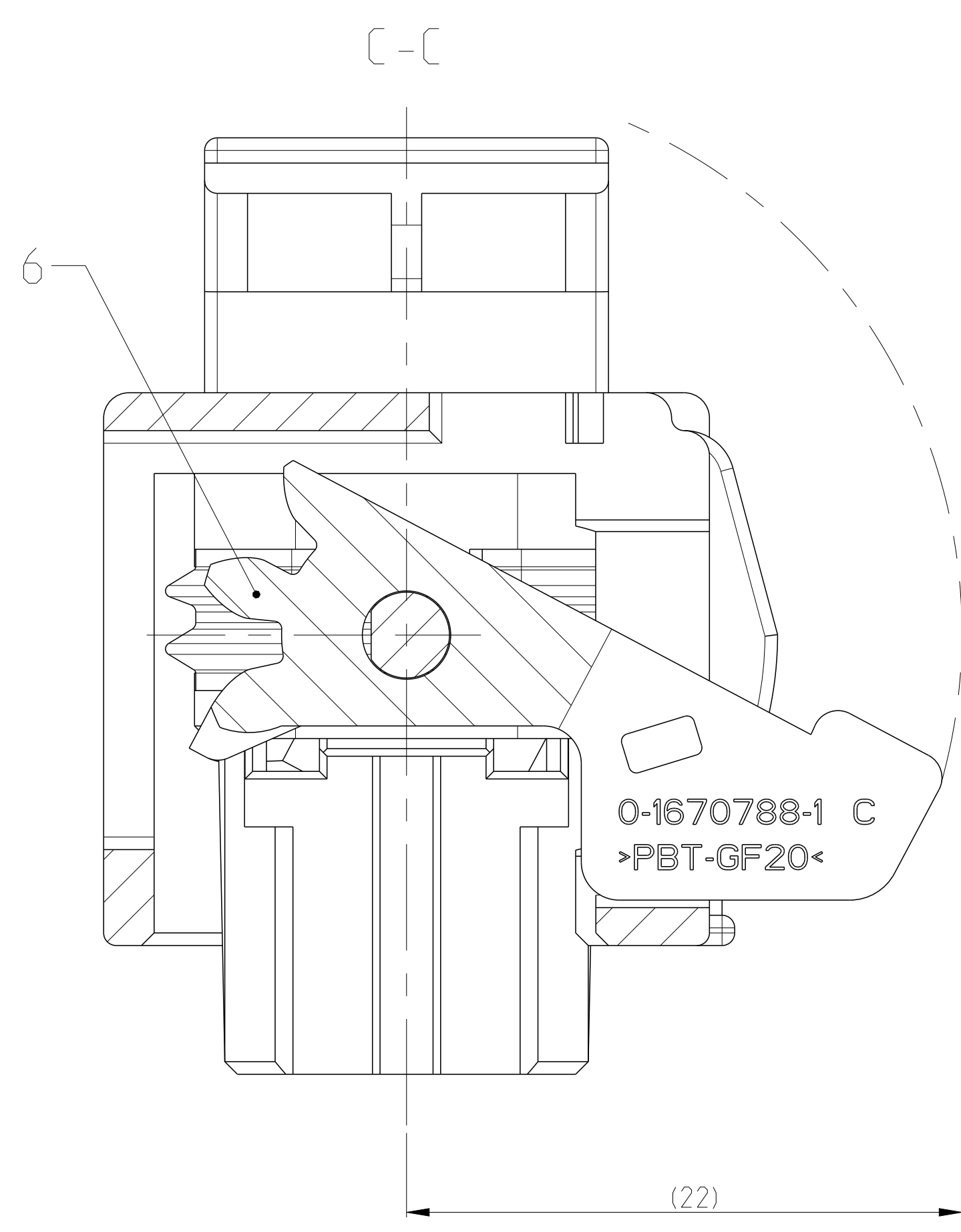
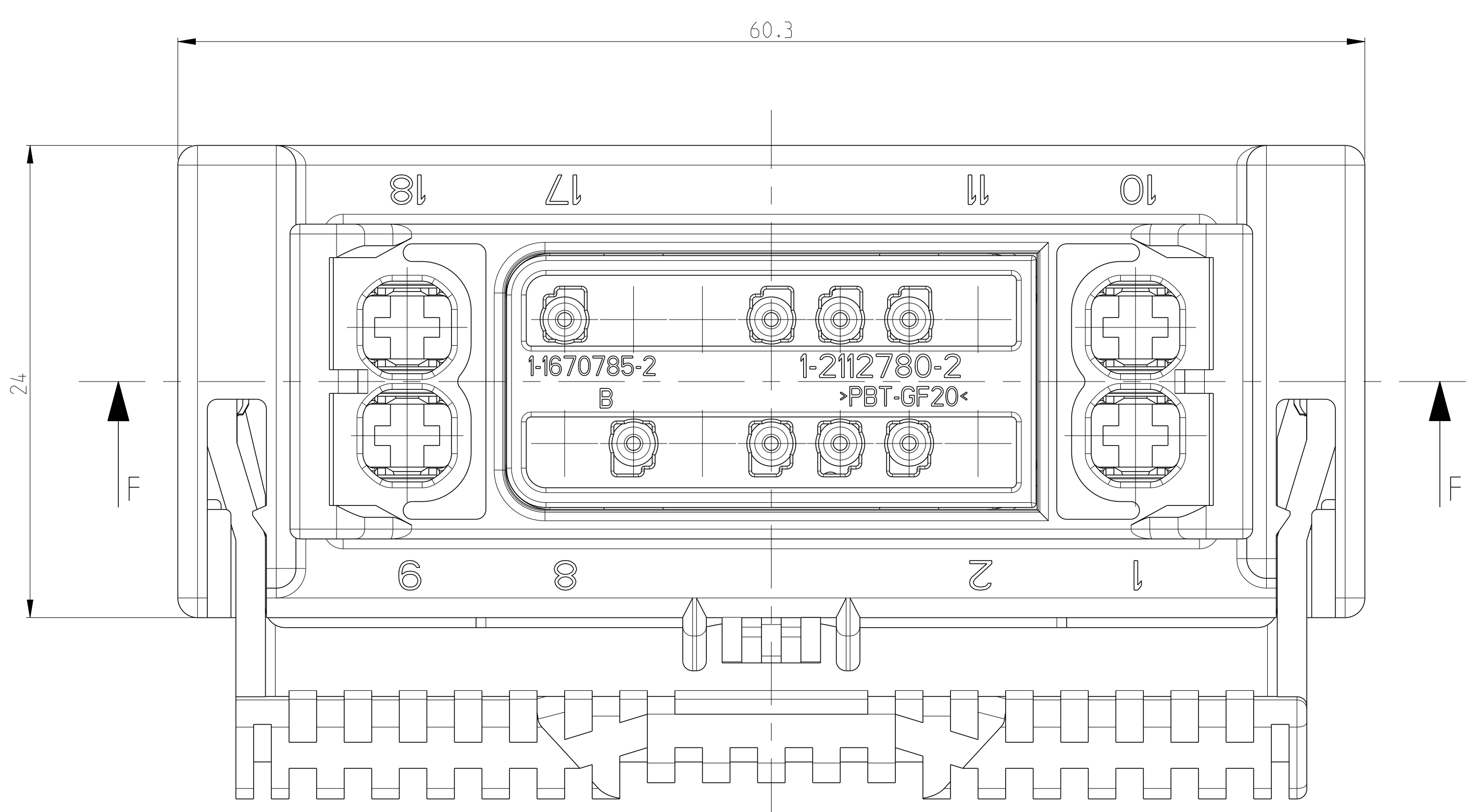
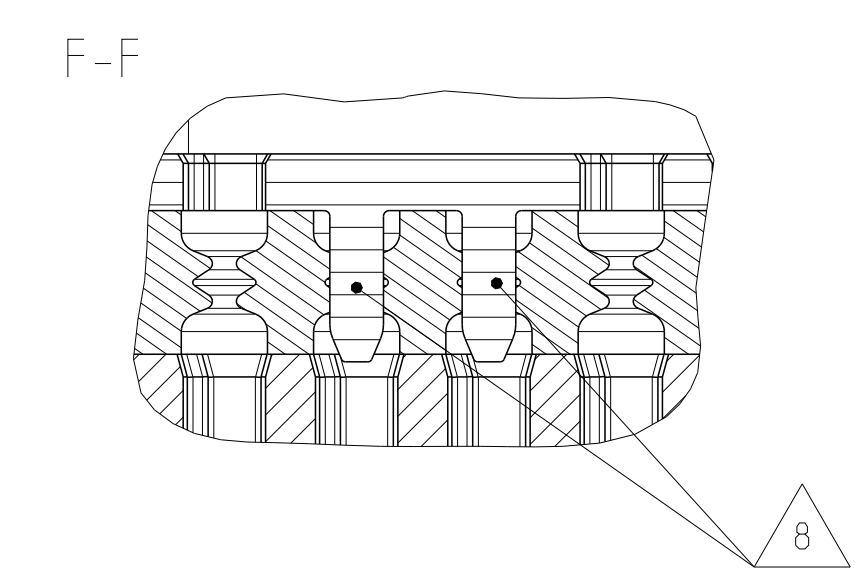
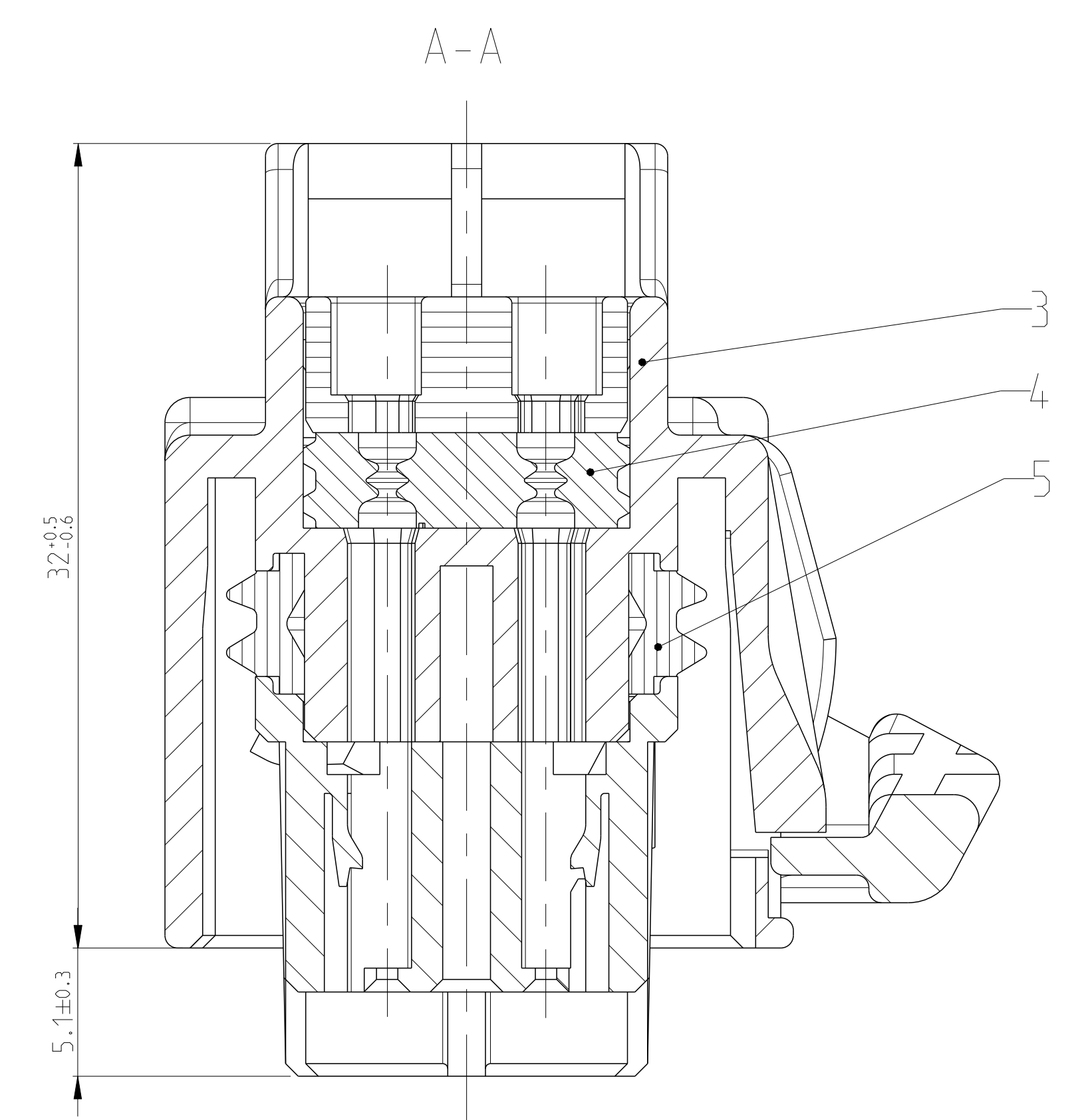
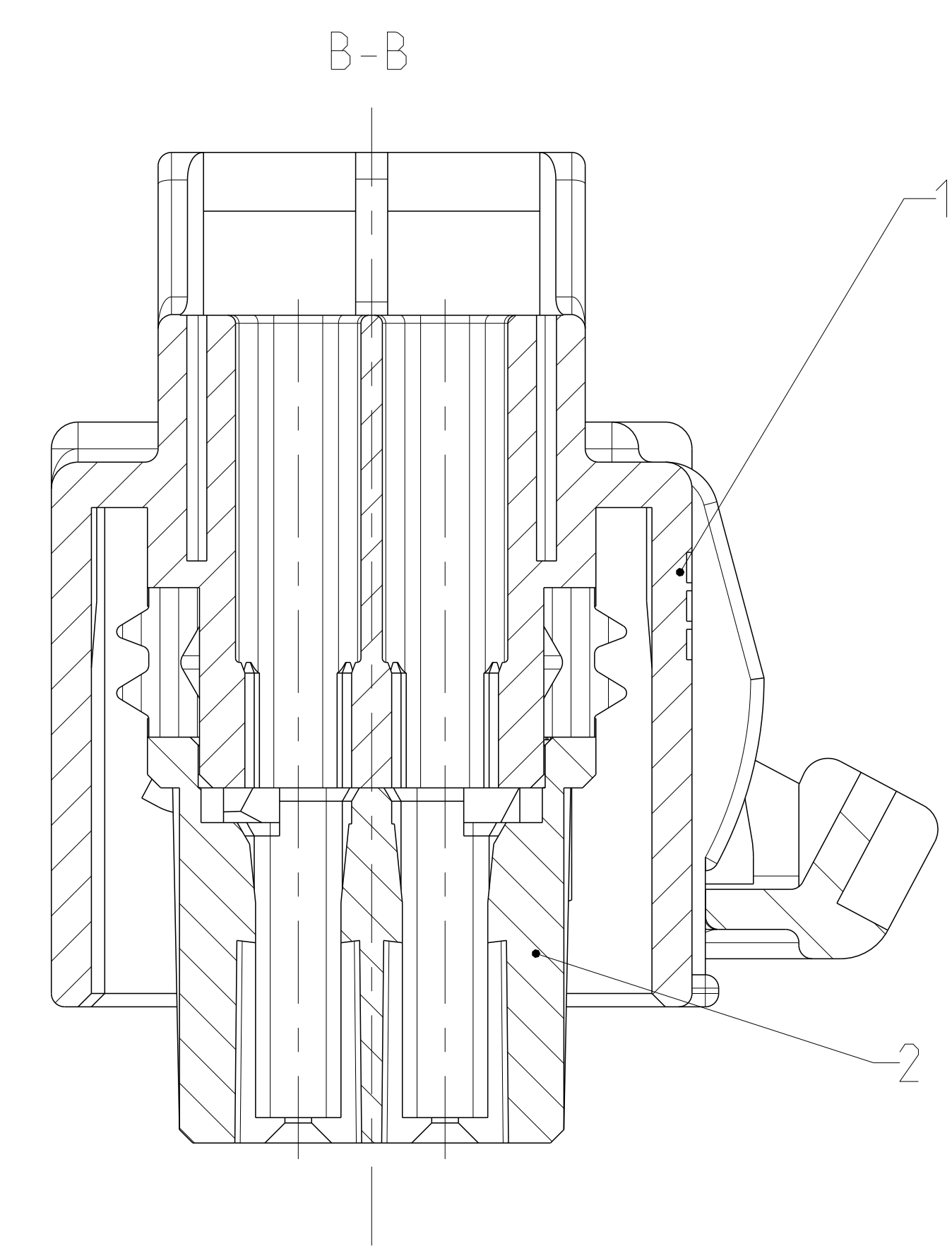
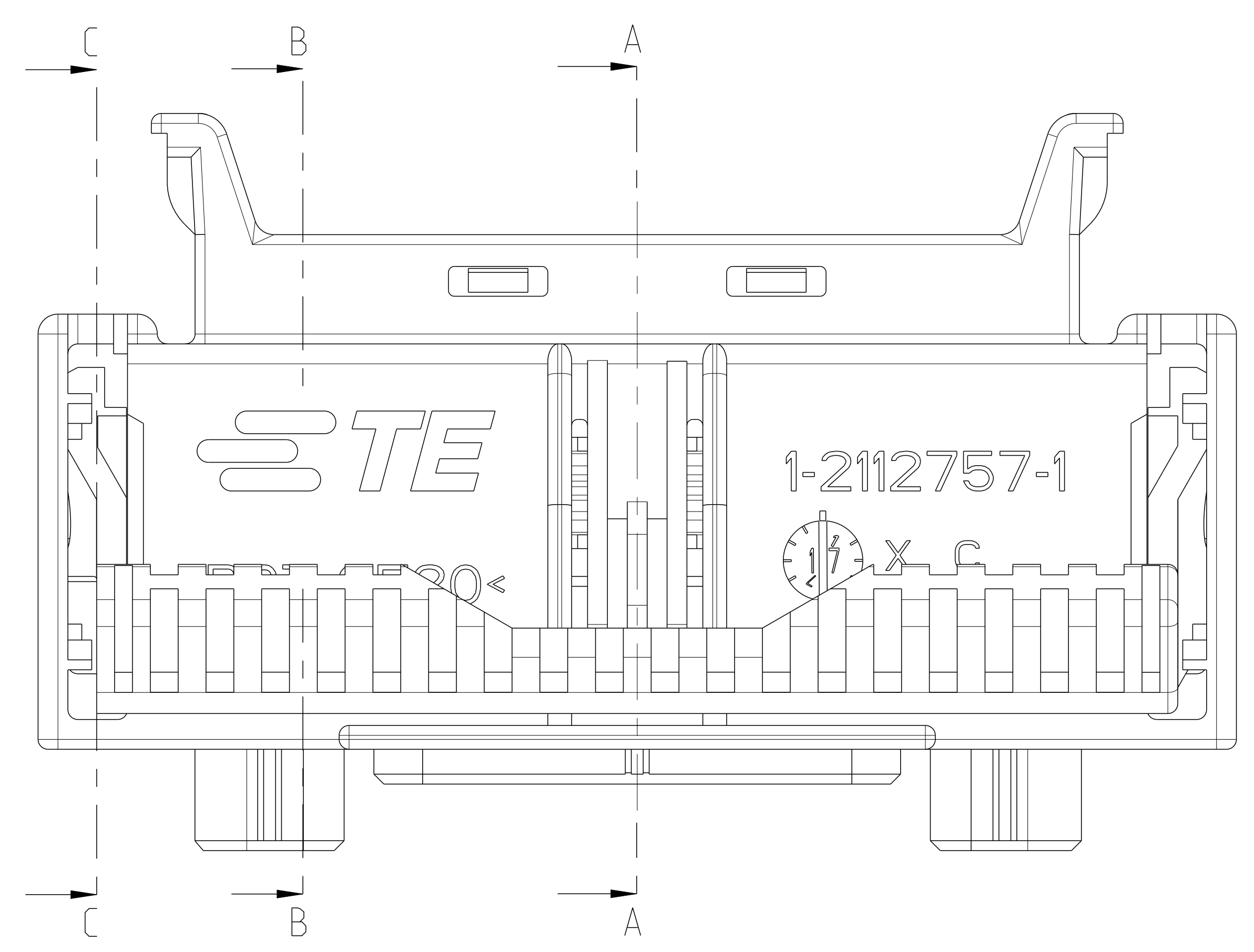
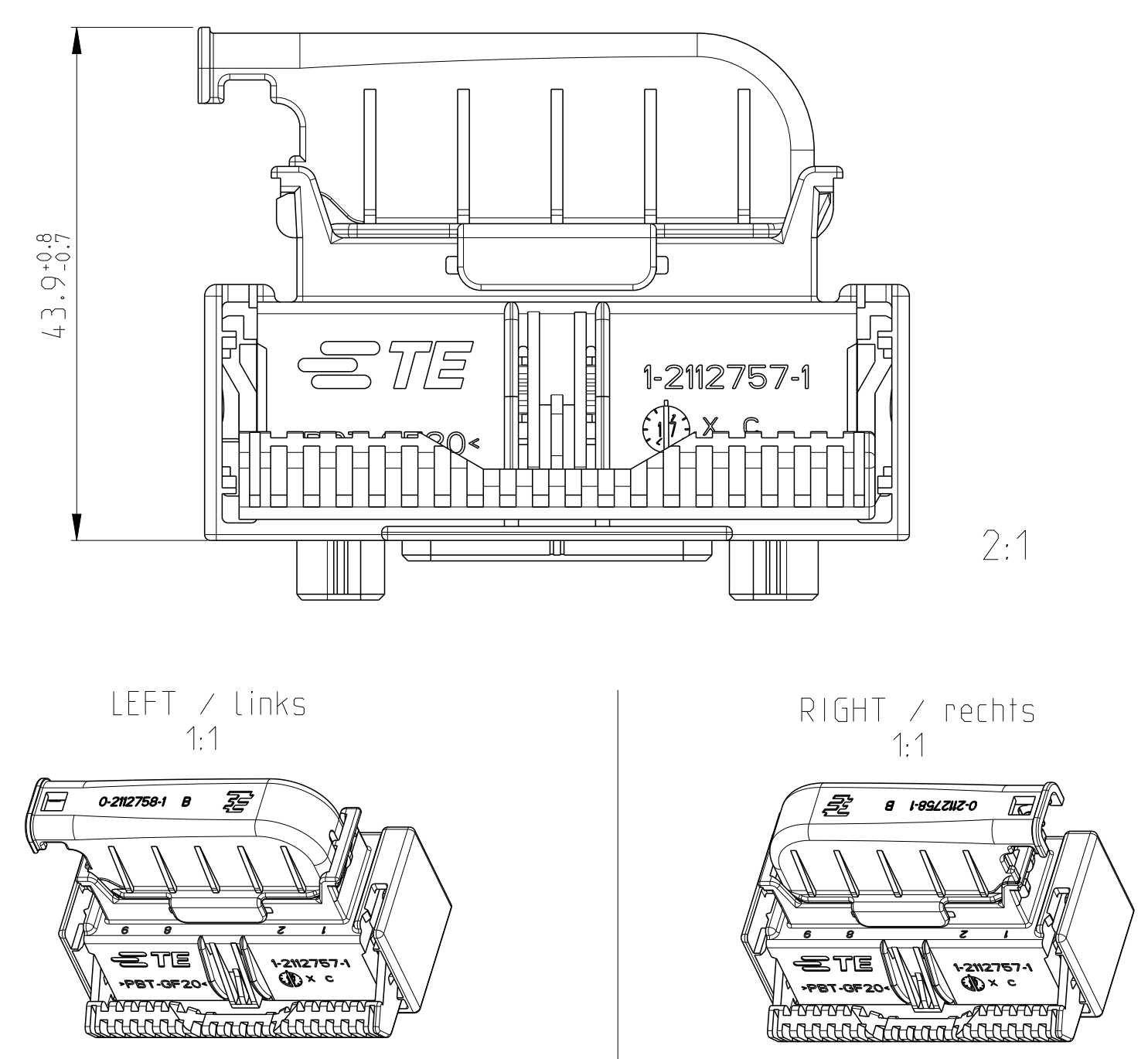
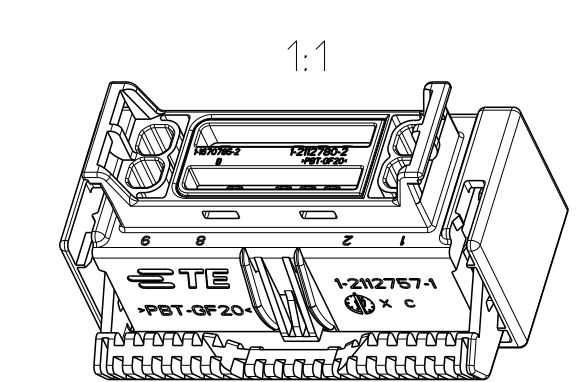


| REV | DATE | BY | APPD | DESCRIPTION |
|-----|-----------|----|------|--|
| E5 | 09NOV2010 | RM | PN1 | PART-NO. 4-2112780-5/-6 ADDED |
| E6 | 22NOV2010 | RM | PN1 | MATERIAL INPUT BY LOWER PART CORRECTED |
| E7 | 10DEC2010 | RM | PN1 | PART-NO. 4-2112780-7/-8/-9 ADDED |
| F | 27FEB2011 | RM | PN1 | UPPER PART CHANGED |

COVER FOR HOUSING
LOOSE PIECE TE PN 0-2112758-1
OPTIONAL LEFT OR RIGHT CLIP-ON
 Abdeckkappe fuer Buchsengehaeuse wird separat beigestellt TE NR. 0-2112758-1
 Abdeckkappe optional links oder rechts aufsteckbar



- NOTES:**
Bemerkungen:
- PACKAGING: LOOSE PIECE INTO CARTON
Verpackung: Schuelftgut in Karton
 - 2.LOCK SEE TE DRAWING NO. 1670789
COVER SEE TE DRAWING NO. 2112758
 - 2.Kontaktsicherung siehe TE Zeichnung Nr. 1670789
Abdeckkappe siehe TE Zeichnung Nr. 2112758
- CAVITY 1; 9, 10 AND 18 SUITABLE FOR CONTACT:
 2.0mm SENSOR FLAT CONTACT
 19M7543 (STRIP) OR 0867171 (LOOSE PIECE) > 1.5mm² TO 2.5mm²
 AND 0828905 (SINGLE WIRE SEAL) INSULATION DIA. 2.2mm TO 3.0mm
 Kontakt: 9, 10 und 18 passend fuer Kontakt:
 2.0mm Sensorflachkontakt (08M-0867171) (Loosepiece) > 1.5mm² bis 2.5mm²
 und 0828905 (Einzeladrigung) Isolationsdurchmesser 2.2mm bis 3.0mm
- CAVITY 2 TO 8 AND 11 TO 17 SUITABLE FOR CONTACT:
 MCON-1, 2 CLEAN BODY
 1534594 (STRIP) OR 1534595 (LOOSE PIECE) 0.35mm²
 INSULATION DIA. 1.1mm TO 1.75mm
 1670144 (STRIP) OR 1670145 (LOOSE PIECE) 0.5mm² TO 0.75mm²
 INSULATION DIA. 1.4mm TO 1.9mm
 Kontakt: 2 bis 8 und 11 bis 17 passend fuer Kontakt:
 MCON-1, 2 CLEAN BODY
 1534594 (Band) und 1534595 (Loosepiece) 0.35mm²
 Isolationsdurchmesser 1.1mm TO 1.75mm
 1670144 (Band) und 1670145 (Loosepiece) 0.5mm² TO 0.75mm²
 Isolationsdurchmesser 1.4mm TO 1.9mm
- 5 CONTACT SURFACE ACCORDING TO MATING CONNECTOR
 Kontaktoberflaeche entsprechend dem Gegenstecker
- ORDER OF ASSEMBLY:
 1. CONTACT MOUNTING
 2. 2. LOCK MOUNTING
 3. LEVER IN PRE LOCKED POSITION
 4. OPTIONAL COVER
 Reihenfolge der Bestueckung:
 1. Kontaktbestueckung
 2. 2. Kontaktsicherung assemblieren
 3. Hebel in Vorraestellung
 4. Optional Abdeckkappe
- 7 INTERFACE DRAWING NO. 114-18801
 Schnittstellenzeichnung Nr. 114-18801



AS SHOWN (DELIVERY CONDITION)
 WIE GEZEICHNET (Anlieferungszustand)

| | | | | |
|--|--|-----------------------------|------------------------------------|------------------|
| THIS DRAWING IS A CONTROLLED DOCUMENT. | | DATE: 09APR2010 | BY: J. Nickel | APPD: D. Buehler |
| DIMENSIONS: UNLESS OTHERWISE SPECIFIED, DIMENSIONS ARE IN MILLIMETERS. | | DATE: 09APR2010 | BY: J. Nickel | APPD: D. Buehler |
| MATERIAL: PBT-GF20 | | PROJECT SPEC: 108-94.094 | NAME: 18POS. MIXED REC. HSG. ASSY | |
| FINISH: - | | APPLICATION SPEC: 114-18853 | NAME: 18polig Buchsengehaeuse Assy | |
| CUSTOMER DRAWING | | SCALE: 5:1 | RESTRICTED TO: - | |
| | | SHEET: 1 of 2 | REV: F | |

