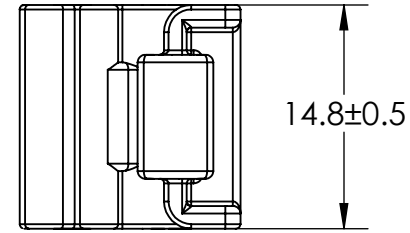
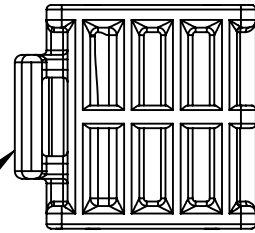
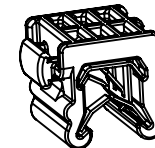
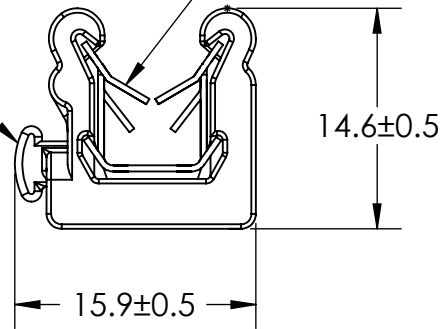


RETAINER FOR
CABLE TIE
(4.6 X 1.3 mm)



CLAMP FIT TO MATERIAL THICKNESS
3 - 6mm



SCALE 1:1

INVENTORS

HellermannTyton

ALL PROPRIETARY RIGHTS IN THE SUBJECT MATTER SHOWN ON THIS DRAWING ARE EXCLUSIVE PROPERTY OF HELLERMANNTYTON

name	date	city, state

REVISION

D	level	01
R	by	AAC
A	date	07/09/2009
W	ECN #	001133
I	part level	-
N		
G		

DIMENSIONS

FOOTER DIMENSIONS	.xxxx = ±.013
	.xxx = ±.13
	.xx = ±.3
	.X = ±.8
	∠ = ±0.5°
	unless otherwise specified
units	millimeters

PART

number	EC23	phase	Production
name	EC23 EDGE CLIP 23		
material	PA66HIRHS		

DRAWING

format	AH	CAD	SW 2007	scale	2:1
version	N				
computer file name	XCL-HTG157CST_01		previous drawing number		
drawn	AAC	checked	KAC	approved	KAC
	07/09/2009		07/09/2009		07/09/2009
type	Customer		sheet 1 of 1		
number	XCL-HTG157CST				