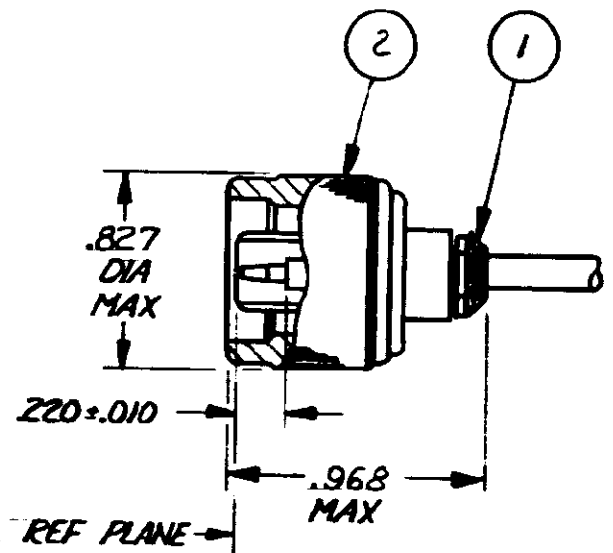
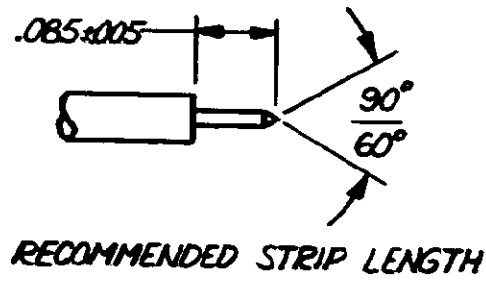


REVISIONS					
P	F	LTR	DESCRIPTION	DATE	APPROVED
✓	✓	0	NPS 81-3667 REDRAWN	6/19/82	<i>RCM</i>
✓	✓	A	REVISED PER CB3-709	9-7-83	<i>RCM / JH</i>

228440-1

THIS DRAWING IS UNPUBLISHED. RELEASED FOR PUBLICATION

BY AMP INCORPORATED, HARRISBURG, PA. ALL INTERNATIONAL RIGHTS RESERVED. AMP PRODUCTS MAY BE COVERED BY U.S. AND FOREIGN PATENTS AND/OR PATENTS PENDING.



1. FOR USE WITH: RG-402/U .141 SEMI-RIGID CABLE

ITEM	QTY	DESCRIPTION	PART NO
2	1	PLUG ASS'Y	228441-1
1	1	ADAPTOR ASS'Y	228446-1

UNLESS OTHERWISE SPECIFIED DIMENSIONS ARE IN INCHES. TOLERANCES ON: DECIMALS ± — ANGLES ± —

MATERIAL _____

FINISH _____

CONTRACT NO _____

DR *Bill Lehman 1/14/82*

CHK *R. Calabrese 6-18-82*

APPD *R. Hagedorn 6/18/82*

APPD *Resnick 6/18/82*

DSGN APPD _____

OTHER APPD _____

AMP | AMP INCORPORATED
Harrisburg, Pa. 17105

NAME **CONNECTOR, COAXIAL, R.F.,
PLUG, N SERIES**

SIZE **A** FSCM NO **00779** DRAWING NO **228440-1**

SCALE **NTS** SHEET _____