

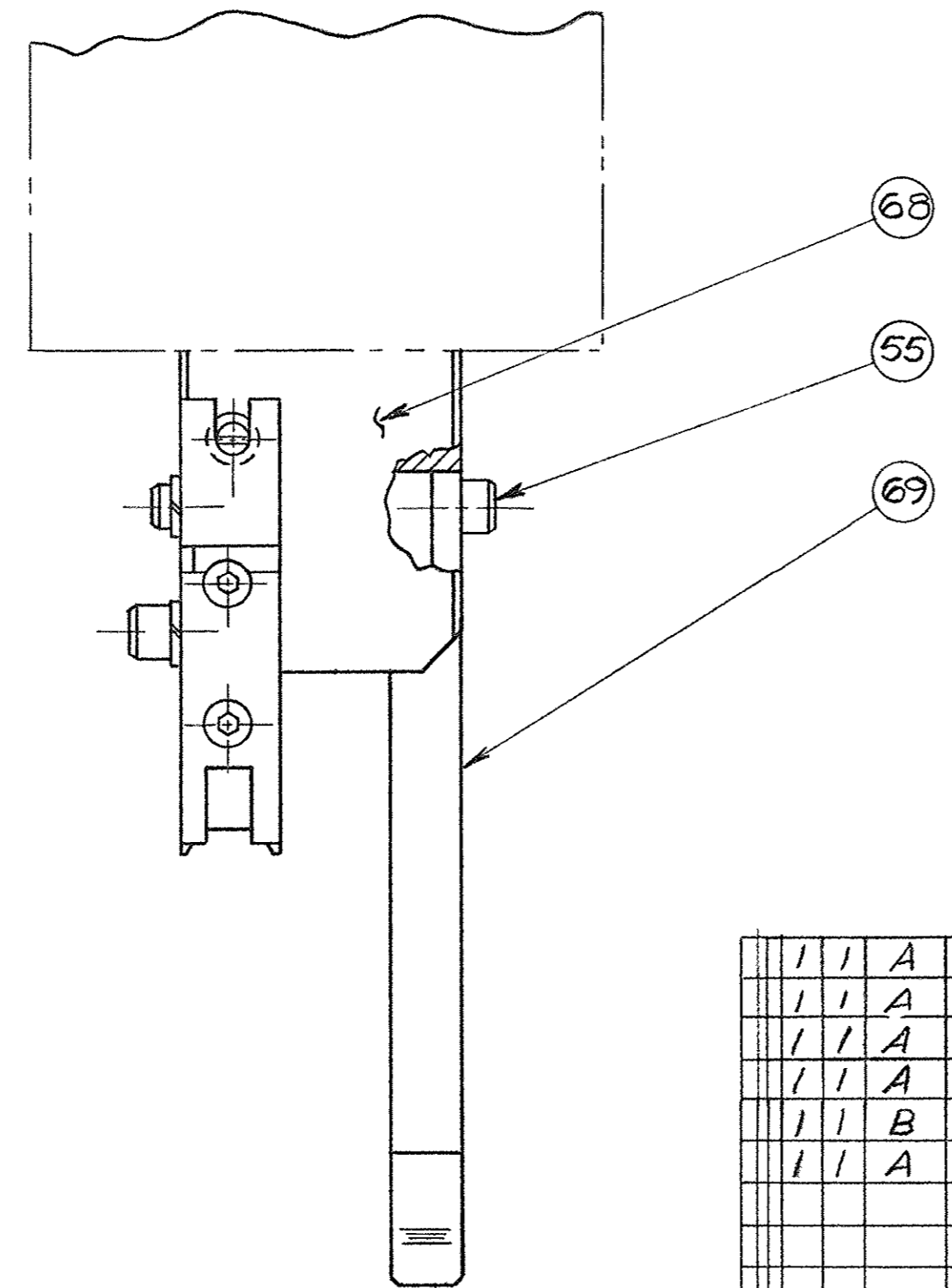
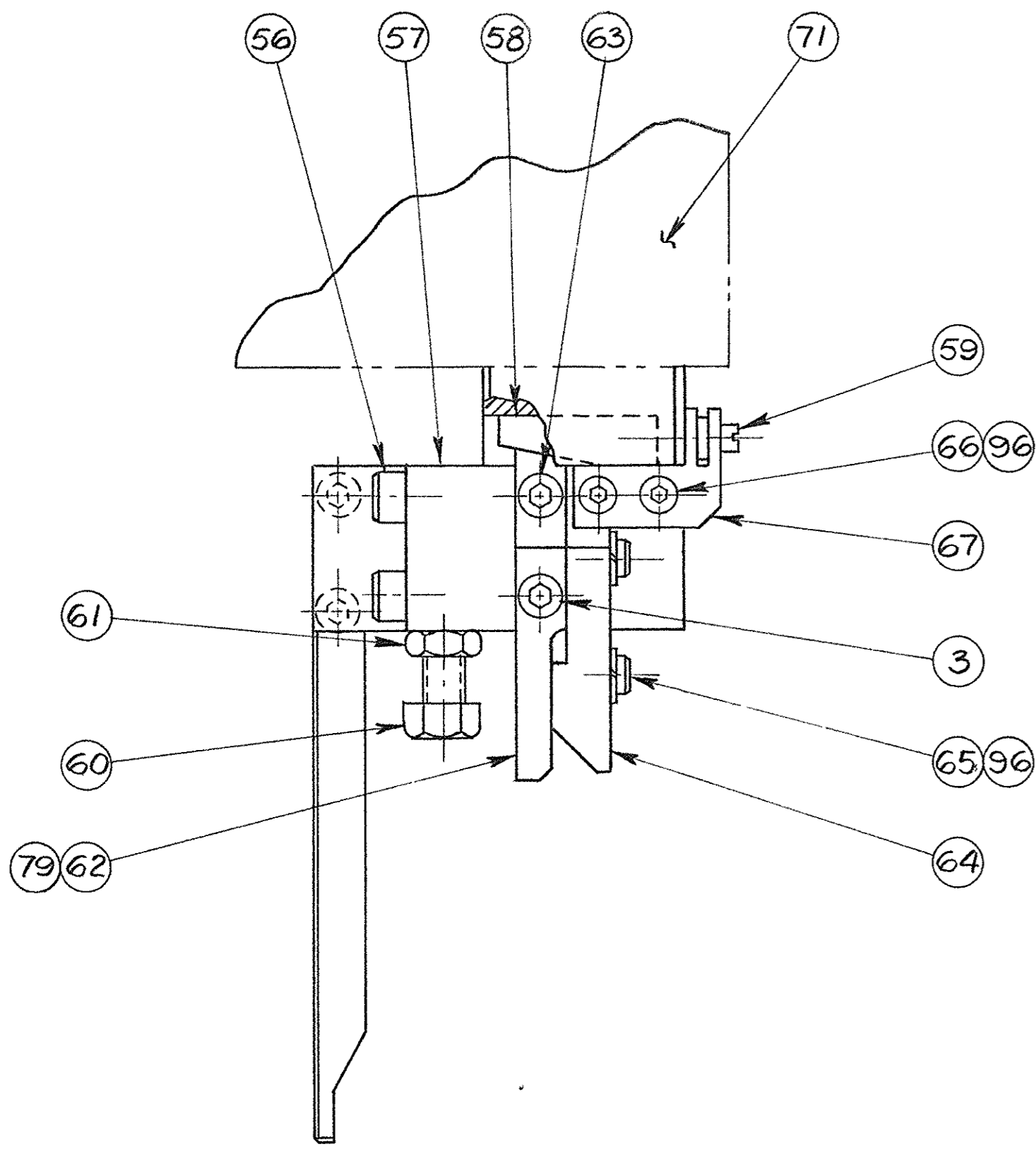
THIS INFORMATION IS CONFIDENTIAL AND IS DISCLOSED TO YOU ON THE CONDITION THAT YOU WILL NOT DISCLOSE IT TO ANY OTHER PERSON OR ENTITY WITHOUT THE WRITTEN AUTHORIZATION OF AMP INCORPORATED, HARRISBURG, PA.

DWG SIZE		PART NO		DESCRIPTION		ITEM NO
				REVISION OF EACH ASSY NO (WHEN BLANK, USE DWG REVISION)		
QTY REQD PER ASSY		PARTS LIST				
		DIMENSIONS IN INCHES		MATERIAL	HEAT TREAT	FINISH
		TOLERANCES UNLESS OTHERWISE SPECIFIED:		DR 3-1-74 APP J.L. NEWSOME PLESS 3-5-74 GJK REL 3-5-74 1. B. 3-5-74 NAME: <b>POD APPLICATOR ASS'Y</b>		
		DECIMALS: .00 ± .02,		AMP INCORPORATED Harrisburg Pa		
		.000 ± .005, .0000 ± .0005		SCALE SHEET LOC NO REV		
		ANGLES ± 0° 30'		1:1 10F2 A D 689839 N		
		SURF TEXTURE: -#				
		REMOVE BURRS, BREAK SHARP EDGES .015R MAX				

689839-1 APPLICATOR APPLIES POD 480296.

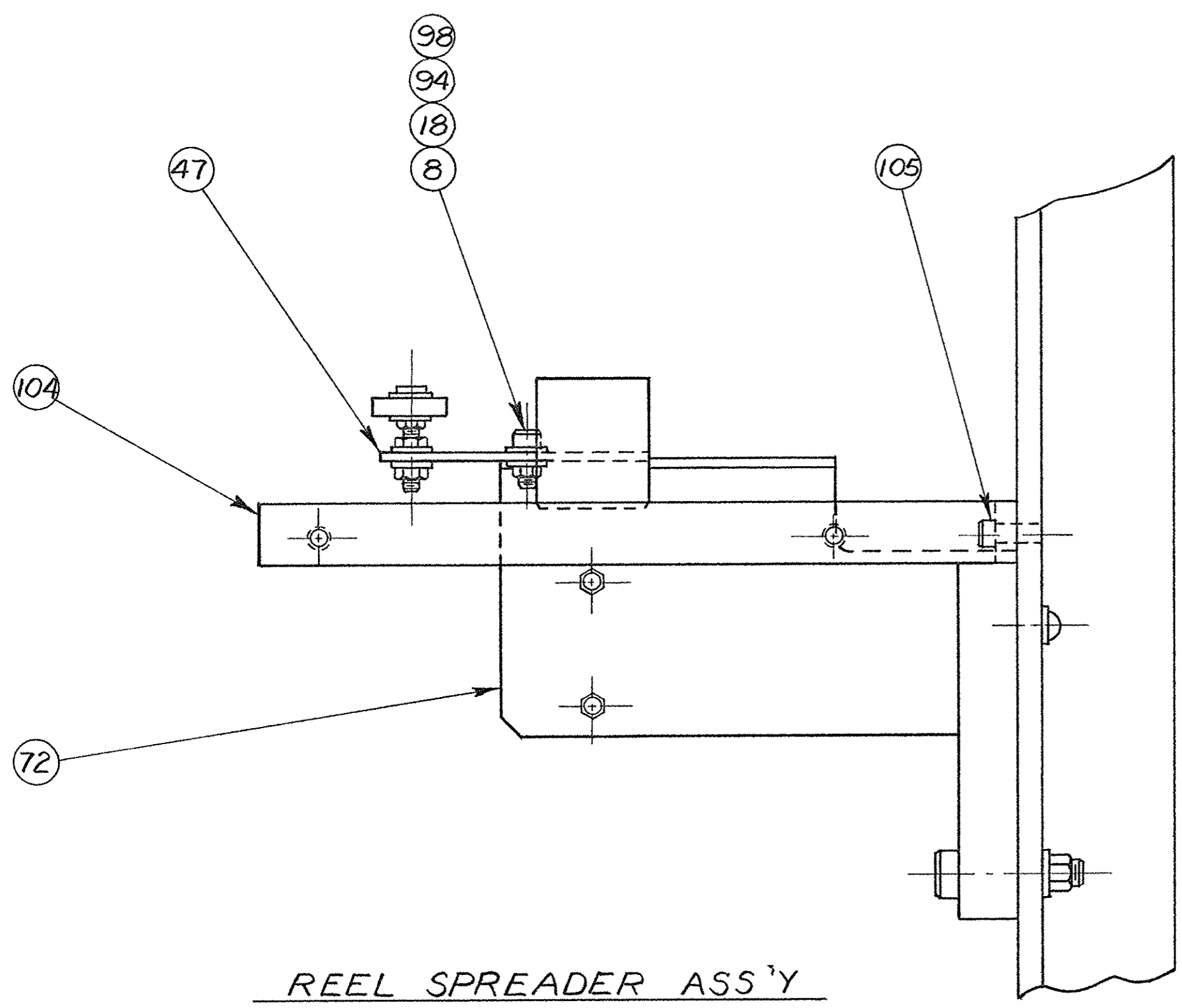
689839-2 APPLICATOR APPLIES POD 480298.

3 IS SHEET 408-8015



1	1	A	2-22280-6	SPRING, COMP.	115	
1	1	A	21022-2	NUT, HEX, SELF LOCK 8-32	114	
1	1	A	22354-6	STUD 8-32 X 1.00	113	
1	1	A	467016-1	BLOCK, DRAG MOUNT	112	
1	1	B	467017-1	DRAG	111	
1	1	A	467018-1	PIVOT, DRAG	110	
					109	
					108	
					107	
1	1	A	2-21000-0	SCREW, SOC. HD. CAP 6-32 X .50	106	
2	2	A	2-21000-6	SCREW, SOC. HD. CAP 8-32 X .38	105	
1	1	B	694927-1	SEPARATOR, PAPER	104	
3	3	A	21017-6	SCREW, DRIVE 4 X .25	103	
1	1	B	452373-1	PLATE, IDENT.	102	
					101	
7	7	A	21055-6	WASHER, FLAT #8	100	
5	5	A	21055-5	WASHER, FLAT #6	99	
1	1	A	21055-4	WASHER, FLAT #4	98	
8	8	A	21024-5	WASHER, SPRING LOCK #10	97	
6	6	A	21024-4	WASHER, SPRING LOCK #8	96	
8	8	A	21024-3	WASHER, SPRING LOCK #6	95	
5	5	A	21024-2	WASHER, SPRING LOCK #4	94	
3	3	A	1-21002-4	SCREW, BUT. HD. CAP 4-40 X .38	93	
7	7	A	1-21000-8	SCREW, SOC. HD. CAP 6-32 X .25	92	
1	1	A	374999	PLATE, TENSION ADJ.	91	
					90	
1	1	C	570238	BASE, MOUNT	89	
					88	
<del>1</del>	<del>1</del>	<del>B</del>	<del>454483-1</del>	<del>DEFLECTOR, STRIP</del>	<del>87</del>	
					86	
1	1	B	467019-1	FINGER, FEED POD	85	
1	1	A	467020-1	BRACKET, TERM. GUIDE	84	
1	1	B	467022-1	BRACKET, FRONT STRIP GUIDE	83	
1	1	A	467021-1	GUIDE, FRONT STRIP	82	
1	1	B	467023-1	GUIDE, REAR STRIP	81	
1	1	C	467024-1	FUNNEL, POD	80	
1	1	B	689174-1	CRIMPER	79	
1	1	A	22713-4	SPRING, TORSION LT-012A-4	78	
1	1	B	686732-1	RETAINER, POD STRIP	77	
1	1	B	454818-1	SUPPORT, RETAINER	76	
1	1	A	686734-1	PIN, RETAINER	75	
2	2	A	2-21000-2	SCREW, SOC. HD. CAP 6-32 X .75	74	
1	1	B	689162-2	POD GUIDE	73	
1	1	C	453596-1	REEL SPREADER ASS'Y	72	
3	2	1	DWG SIZE	PART NO	DESCRIPTION	ITEM

-3 OBSOLETE



REEL SPREADER ASS'Y

1	1	D	1-471273-3	PRESS ASS'Y	71
1	1	B	459553-1	GUARD ASS'Y	70
1	1	A	689171-1	CAM, FOLDING	69
1	1	C	689178-1	RAM	68
1	1	A	689177-1	RETAINER, WEDGE	67
2	2	A	3-21000-0	SCREW, SOC. HD. CAP 8-32 X .88	66
1	1	A	2-21000-8	SCREW, SOC. HD. CAP 8-32 X .62	65
1	1	A	689780-1	WEDGE, SUPPORT	64
2	1	A	3-21000-7	SCREW, SOC. HD. CAP 10-32 X .75	63
1	1	B	689174-2	CRIMPER	62
1	1	A	21020-2	NUT, HEX JAM 5/16-18	61
1	1	A	2-21015-0	SCREW, HEX HD MACH. 5/16-18 X 1.50	60
1	1	A	689176-1	SCREW, ADJUSTING	59
1	1	A	689175-1	WEDGE, ADJUSTING	58
1	1	A	689169-1	MOUNT, CAM	57
2	2	A	22140-5	SCREW, SOC HD CAP 1/4-20 X .88 (NYLON)	56
2	2	A	8-22140-8	SCREW, SOC. HD. CAP 10-32 X .50 (NYLON)	55
1	1	C	689143-1	BLOCK, BASE	54
3	3	A	371178	WASHER	53
3	3	A	3-21015-1	SCREW, HEX HD MACH. 3/8-16 X 1.00	52
1	1	C	689142-1	PLATE, BASE	51
1	1	C	689159-1	PLATE, STRIP GUIDE	50
6	8	A	23030-9	SCREW, SOC. HD. CAP 8-32 X .38 SELF-LOCK	49
1	1	B	689145-1	SLIDE, PRIMARY	48
1	1	A	689855-1	BRACKET, SPREADER EXT.	47
1	1	C	689158-1	PLATE, STRIP GUIDE	46
1	1	C	689144-1	HOUSING, SHEAR	45
1	1	A	1-22692-4	SPRING, EXTENSION	44
1	1	A	3-21028-2	PIN, ROLL .093 DIA. X .25	43
1	2	A	3-21028-4	PIN, ROLL .093 DIA. X .38	42
1	1	B	689166-1	GUIDE, TERMINAL	41
1	1	A	689153-1	BLADE, SHEAR (LOWER)	40
1	1	B	689155-1	RAM, SHEAR	39
1	1	A	5-22282-6	SPRING, COMPRESSION	38
1	1	A	5-21028-3	PIN, ROLL .125 DIA. X .62	37
1	1	A	689148-1	ROLLER, SLIDE	36
1	1	A	1-21030-3	PIN, DOWEL .188 DIA. X .75	35
1	1	A	689779-1	GUIDE, POD	34
6	4	A	3-21000-5	SCREW, SOC. HD. CAP 10-32 X .50	33
1	1	C	689161-1	GUIDE, CARRIER	32
1	1	B	689162-1	GUIDE, POD	31
1	1	A	691149-1	SHEAR, LOWER	30
1	1	A	689784-1	DRAG, SPRING	29
5	2	A	1-21002-6	SCREW, BUTTON HD. 6-32 X .25	28
1	1	B	689160-1	GUIDE, FOLDING	27
1	1	B	689164-1	FINGER, POD FEED	26
1	1	A	689163-1	FINGER, CARRIER FEED	25
2	2	A	1-21000-5	SCREW, SOC. HD. CAP 4-40 X .50	24
1	1	B	689168-1	BRACKET, TERMINAL GUIDE	23
2	2	A	2-21000-5	SCREW, SOC. HD. CAP 8-32 X .25	22
1	1	A	4-22281-4	SPRING, COMPRESSION LC-038D-11	21
2	3	A	3-21000-6	SCREW, SOC. HD. CAP 10-32 X .62	20
1	1	B	689149-1	RETAINER, SPRING	19
1	1	A	21018-4	NUT, HEX 4-40	18
1	1	C	689151-1	ARM, FOLDING	17
1	1	A	689150-1	PIN, PIVOT	16
2	2	A	3-21000-9	SCREW, SOC. HD. CAP 10-32 X 1.00	15
1	1	B	689152-1	RETAINER, ARM	14
2	2	A	3-21000-3	SCREW, SOC. HD. CAP 8-32 X 1.50	13
1	1	B	689157-1	RETAINER, SHEAR	12
2	2	A	2-21000-7	SCREW, SOC. HD. CAP 8-32 X .50	11
1	1	B	689172-1	REST, LEAD	10
4	2	A	2-21002-0	SCREW, BUTTON HD. 8-32 X .25	9
5	3	A	1-21000-3	SCREW, SOC. HD. CAP 4-40 X .25	8
1	1	B	689167-1	GUIDE, TERMINAL	7
1	1	B	1-21002-7	SCREW, BUTTON HD 6-32 X .38	6
1	1	A	691148-1	SHEAR, UPPER	5
1	1	B	689173-1	RETAINER, CAM	4
2	4	A	3-21000-8	SCREW, SOC. HD. CAP 10-32 X .88	3
					2
1	1	A	1-471273-3	PRESS "K" MECH. FEED	1

QTY REQD PER ASSY

REVISION OF EACH ASSY NO (WHEN BLANK, USE DWG REVISION)

PARTS LIST

DIMENSIONS IN INCHES	MATERIAL	HEAT TREAT	FINISH
TOLERANCES UNLESS OTHERWISE SPECIFIED: DECIMALS: .00 ± .02 .000 ± .005 ANGLES ± 0° 30'	DR 2-28-74 J.L. NEWSOME CHK 1-15-74 T. Borge	APP FLEISS 3-5-74	AMP INCORPORATED Harrisburg Pa

NAME: POD APPLICATOR ASS'Y

SCALE: 1:1 SHEET: 20F2 LOC: A NO: 689839 REV: N

THIS INFORMATION IS CONFIDENTIAL AND IS DISCLOSED TO YOU ON THE CONDITION THAT YOU WILL NOT DISCLOSE IT TO ANY OTHER PERSON WITHOUT WRITTEN AUTHORIZATION FROM AMP INCORPORATED, HARRISBURG, PA