



DESCRIPTION: CAT5E, RJ11 (6P4C) MODULAR PLUG, UNSHIELDED, SOLID/STRANDED, ROUND CABLE

MODEL NUMBER: 32-5994UL

APPLICATION: MODULAR PLUG

CRIMP TOOL: N/A

IMPEDANCE: N/A

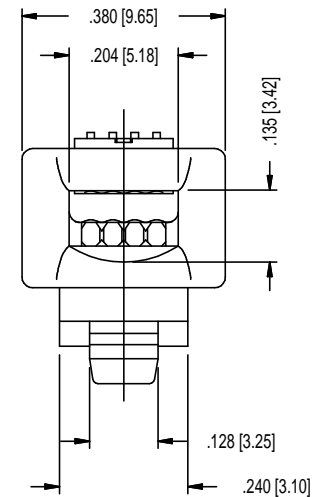
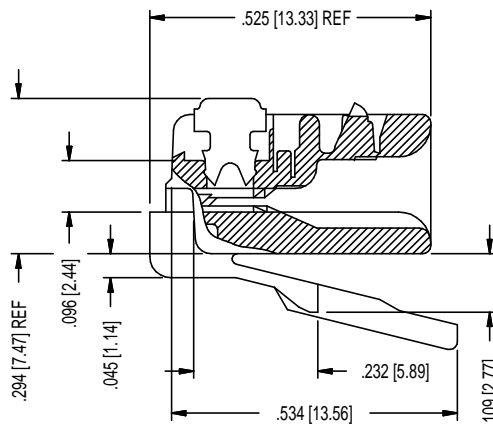
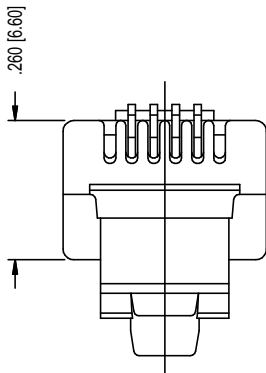
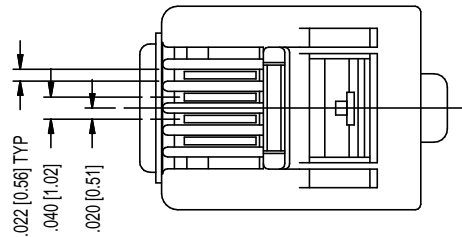
FREQUENCY RANGE: N/A

MATERIAL: HOUSING  
CONTACT

CLEAR POLYCARBONATE UL94-V0  
PHOSPHOR BRONZE  
SELECTIVE GOLD PLATING

RoHS COMPLIANCE: YES

TECHINICAL DETAIL: N/A



<p>This PROPRIETARY Document is property of Cinch Connectivity Solutions. It is confidential in nature, non-transferable, and issued with the clear understanding that it is not to be traded or copied without permission and is returnable upon demand.</p> <p>INTERPRET DRAWING IN ACCORDANCE WITH ASME Y14.5-2009.</p>	<p>3RD ANGLE PROJECTION</p>	<h2>AIM-Cambridge</h2>	
	<p>RoHS2 <input checked="" type="checkbox"/></p> <p>2011/65/EU</p>	<p>Title: CAT5E, RJ11 (6P4C) Modular Plug, Unshielded, Solid/Stranded, Round Cable</p>	
<p>UNLESS OTHERWISE SPECIFIED UNITS: INCH</p> <p>.XX ±.02 .XXX ±.005 ANGLES ±2°</p>		<p>Model No. 32-5994UL</p>	
<p>Size A</p>	<p>DO NOT SCALE DRAWING</p>	<p>Date: 2015/12/9</p>	<p>Sheet 1 of 1</p>