

PLEASE CHECK WWW.MOLEX.COM FOR LATEST PART INFORMATION

Part Number: [62100-5200](#)
Status: **Active**
Description: Micro TCA Removal Tool

Documents:
[RoHS Certificate of Compliance \(PDF\)](#)

General

Product Family	Application Tooling
Series	T3002
Comments	See Tooling Specification (PDF) Above
Function	Extraction
Geographic Area	Global
Level of Automation	Manual
More Detailed Tech Information	applicationtooling@molex.com
Product Name	PremiumGrade™
Survey	www.molex.com//review/apptool_survey.html
Tool Type	N/A
UPC	822350972000

Material Info

Reference - Drawing Numbers

Application Tooling Documents	ATS-621005200
-------------------------------	---------------

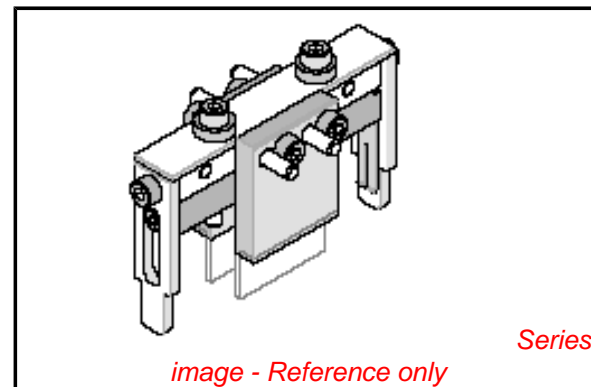


image - Reference only

EU RoHS **China RoHS**

Compliance Status

Not Reviewed

REACH SVHC

Not Reviewed

Low-Halogen Status

Not Reviewed

Need more information on product environmental compliance?

Email productcompliance@molex.com
 For a multiple part number RoHS Certificate of Compliance, [click here](#)

Please visit the [Contact Us](#) section for any non-product compliance questions.

Search Parts in this Series

[T3002Series](#)

Use With

MICRO TCA 170 Circuit Assembly, [75594 Series](#)

Application Tooling	FAQ
Description	Product #

0.75mm Pitch MicroTCA Edge Card Connector, 170 Circuit	0755940000
---	------------

PLEASE CHECK WWW.MOLEX.COM FOR LATEST PART INFORMATION