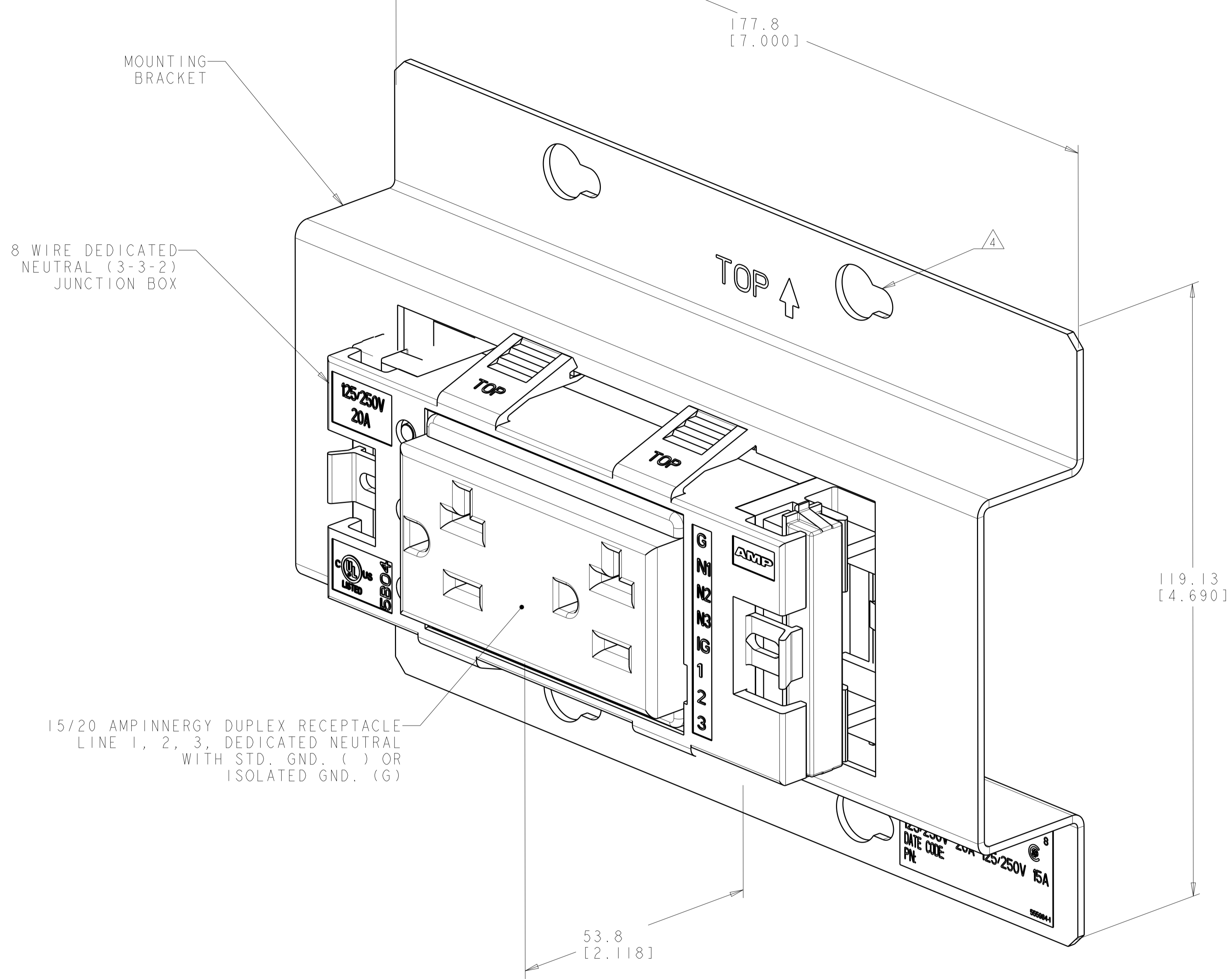
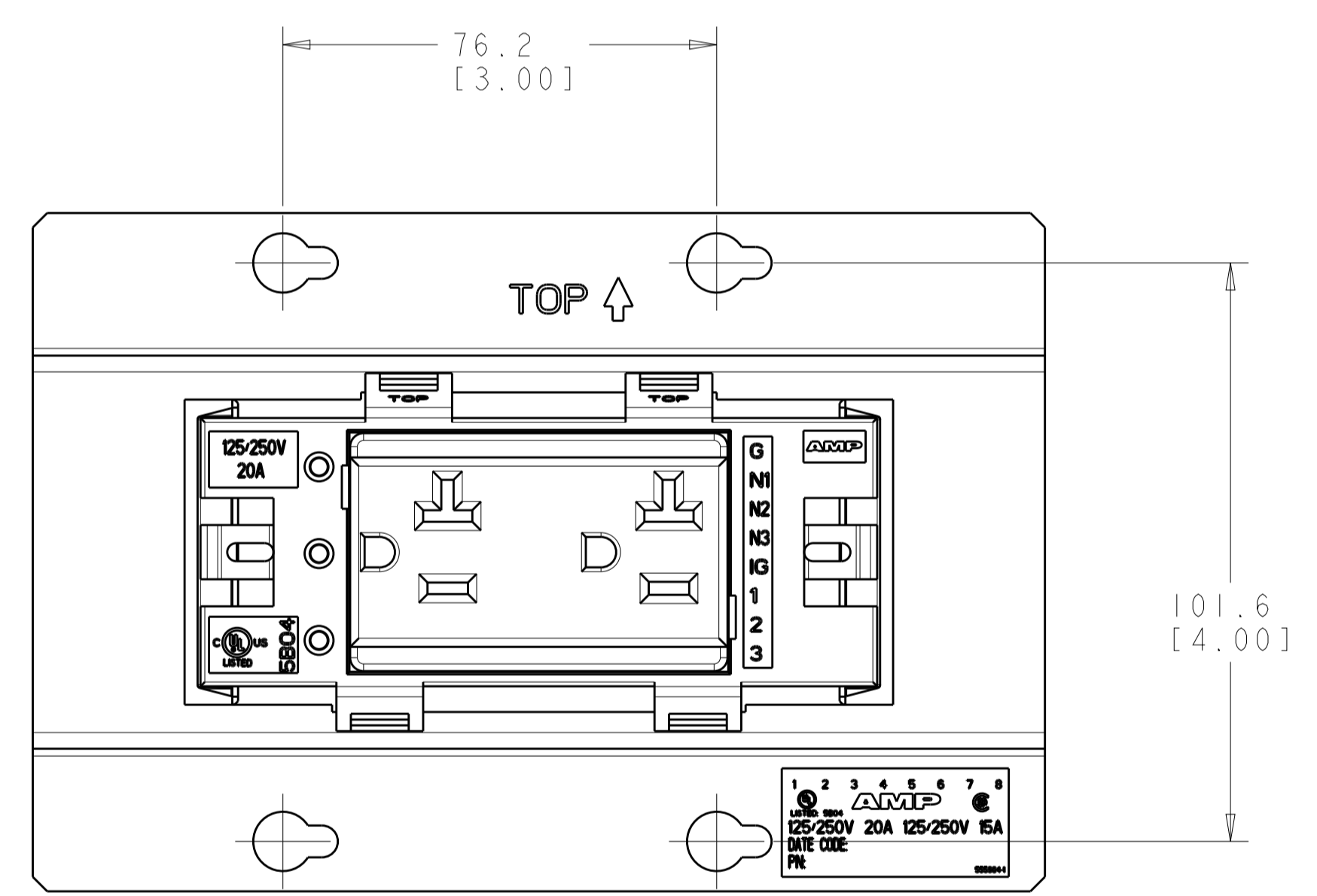


REVISIONS				
P.	LTN.	DESCRIPTION	DATE	DWN. / APVD.
A		RLSD; NPR NSD07-105	18JAN2008	GG / SJ
B		REV PER ECO-14-004513	08APR2014	JB / MS



- ⚠ ALL DIMENSIONS ARE NOMINAL UNLESS OTHERWISE SPECIFIED.
- ⚠ POWER STRIP IS WIRED PER ELECTRICAL SCHEMATIC.
- ⚠ MATERIAL:
 JUNCTION BOX HOUSINGS - POLYCARBONATE, UL 94V-0, BLACK.
 JUNCTION BOX DUST COVER - 6/6, UL 94V-0 RATED.
 JUNCTION BOX CONTACTS - COPPER ALLOY SELECTIVELY TIN-PLATED AND SILVER PLATED 0.00508 [0.00200] MINIMUM THICKNESS.
 POWER STRIP BRACKET - ZINC PLATED CARBON STEEL.
- ⚠ APPLICATION:
 AMPINNERGY - MODULAR POWER DISTRIBUTION SYSTEM, A MANUFACTURED WIRING SYSTEM.
 THE POWER STRIP IS DESIGNED TO BE MOUNTED USING THE KEYHOLE PATTERN IN THE MOUNTING BRACKET WITH CUSTOMER SUPPLIED FASTENERS, 4 PLACES.

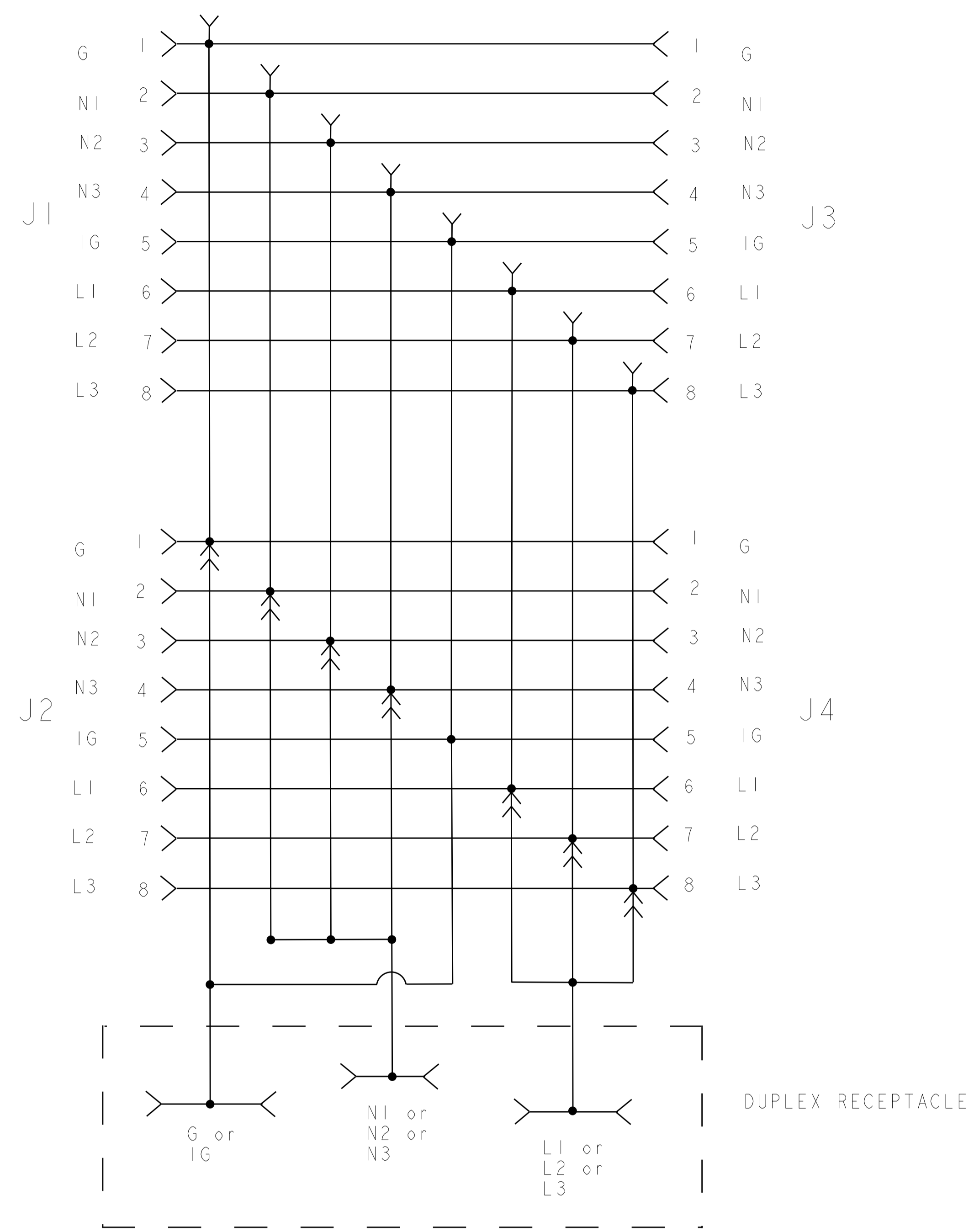


SUGGESTED MOUNTING PATTERN ⚠

	BLANK	9-1933413-9
OBSOLETE	LINE 3G	1933413-7
OBSOLETE	LINE 2G	1933413-6
OBSOLETE	LINE 1G	1933413-5
	LINE 3	1933413-3
	LINE 2	1933413-2
	LINE 1	1933413-1
	DESCRIPTION	PART NUMBER

THIS DRAWING IS A CONTROLLED DOCUMENT.		DWN: G. GARRETT 18JAN2008	STE TE Connectivity
DIMENSIONS: MM [INCHES]		CHK: S. JONES 18JAN2008	
TOLERANCES UNLESS OTHERWISE SPECIFIED:		APVD: S. JONES 18JAN2008	
0 PLC ± 1 PLC ± 2 PLC ± 3 PLC ± 4 PLC ± ANGLES ±		NAME: POWER STRIP, KEYHOLE MOUNT, 1 PORT, 3-3-2 PRODUCT SPEC: APPLICATION SPEC: SIZE: A1 CAGE CODE: 1933413 DRAWING NO: 1933413 RESTRICTED TO:	
MATERIAL: 3		FINISH: 3	WEIGHT: CUSTOMER DRAWING: SCALE 2:1 SHEET 1 OF 2 REV B

REVISIONS				
P.	LTN	DESCRIPTION	DATE	APVD
--		SEE SHEET 1	-	-



ELECTRICAL SCHEMATIC FOR
 8-WIRE, DEDICATED NEUTRAL (3-3-2)
 POWER STRIP Δ

BLANK	BLANK/BLANK	BLANK/BLANK	BLANK	9-1933413-9
ISOLATED	N3/4	3G/8	15/20	1933413-7
ISOLATED	N2/3	2G/7	15/20	1933413-6
ISOLATED	N1/2	1G/6	15/20	1933413-5
STANDARD	N3/4	L3/8	15/20	1933413-3
STANDARD	N2/3	L2/7	15/20	1933413-2
STANDARD	N1/2	L1/6	15/20	1933413-1
GROUND TYPE	NEUTRAL NO./CONTACT NO.	LINE NO./CONTACT NO.	AMPERAGE	PART NO.
DUPLEX RECEPTACLE CONNECTIONS				

THIS DRAWING IS A CONTROLLED DOCUMENT.		DWN G. GARRETT 18JAN2008 CHK S. JONES 18JAN2008 APVD S. JONES 18JAN2008	TE Connectivity
DIMENSIONS: MM [INCHES]	TOLERANCES UNLESS OTHERWISE SPECIFIED: 0 PLC ± 1 PLC ± 2 PLC ± 3 PLC ± 4 PLC ± ANGLES ±	NAME POWER STRIP, KEYHOLE MOUNT, 1 PORT, 3-3-2	
	FINISH	APPLICATION SPEC WEIGHT CUSTOMER DRAWING	SIZE A1 CAGE CODE DRAWING NO. C=1933413 RESTRICTED TO
		SCALE 1:2 SHEET 2 OF 2 REV B	