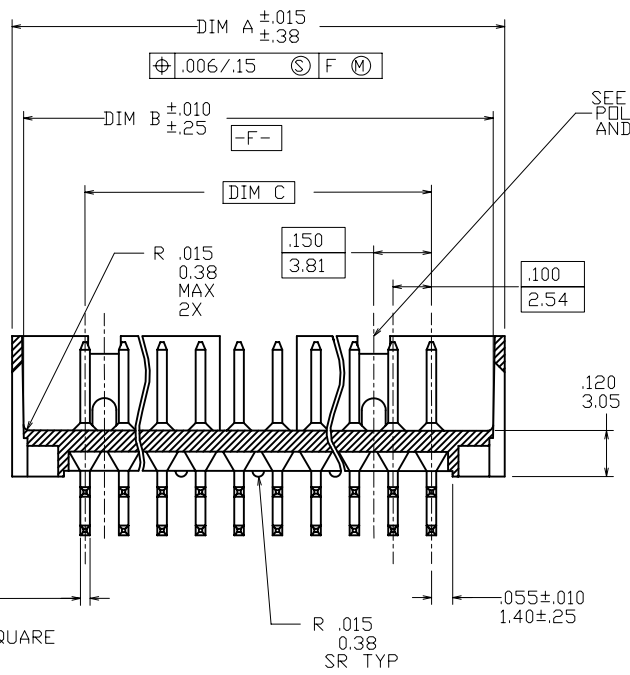
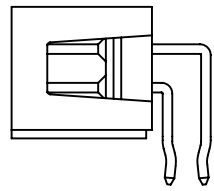
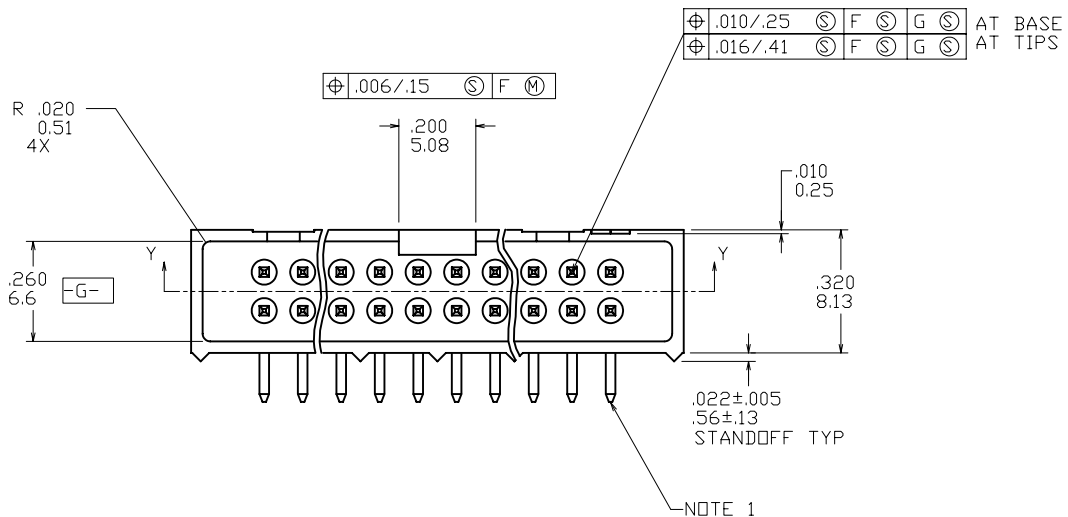
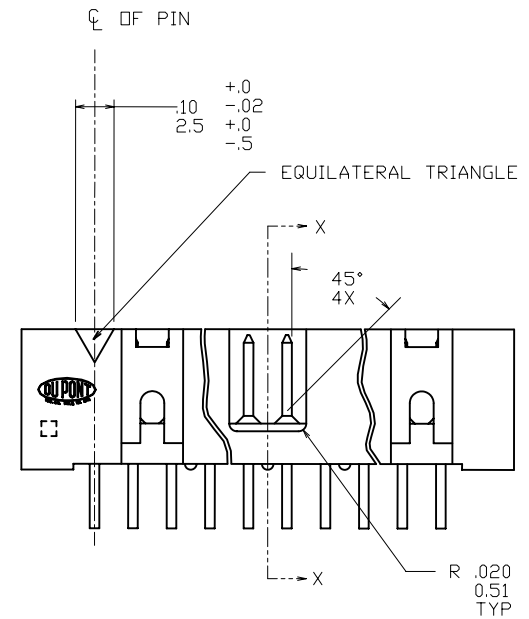
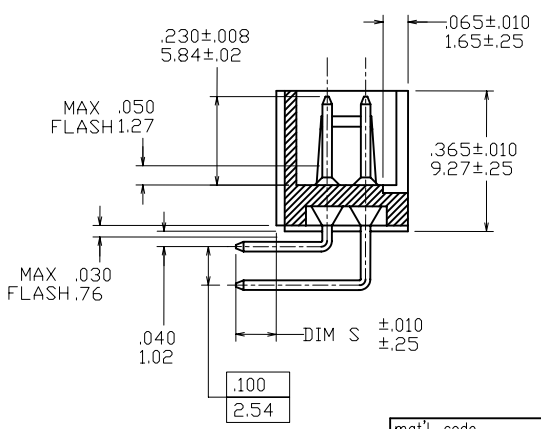


Tous droits strictement reserves. Reproduction ou communication a des tiers interdite sous quelque forme que ce soit sans autorisation ecrite du proprietaire. Propriete de c FCI. Droits de reproduction FCI.

All rights strictly reserved. Reproduction or issue to third parties in any form whatever is not permitted without written authority from the proprietor. Property of FCI. Copyright FCI.



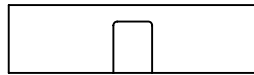
SEE SHT 2 AND TABLE FOR PDL. FEATURE ARRANGEMENT AND STYLE.



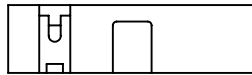
SECTION Y-Y

SECTION X-X

mat'l. code		tolerances unless otherwise specified		CUSTOMER COPY		 www.fciconnect.com	
ltr	ecn no	dr	date	.X ± 0.3	projection	title	
A	V31002	BM	6/3/93			linear	.XX ± 0.13
B	V32185	MSC	1/19/94	.XXX ± 0.05		RIGHT ANGLE, 4 WALL HTP	
C	V40746	MSC	5/17/94	angles		±	product family QUICKIE
D	N05-015	ZC	6/10/05	dr	M. CLOUSER	7/11/90	code
				enrg	M.SMYK	7/11/90	size
				chr	M.SMYK	1/17/94	dwg no
				pppd	M.SMYK	6/14/93	89541
sheet	revision						scale
index	sheet						1:1
							A3
							sheet 1 of 3



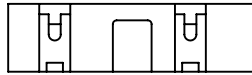
2 X 5  
STYLE A



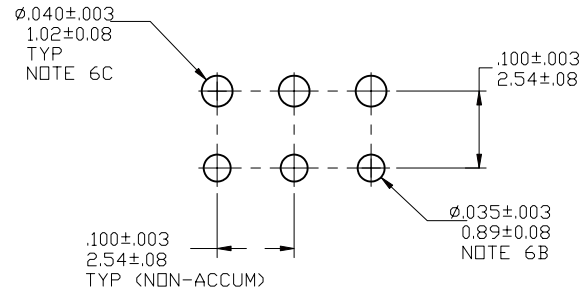
2 X 7  
STYLE C



2 X 5  
STYLE B



2 X 8 THUR 2 X 30  
STYLE D



RECOMMENDED HOLE PATTERN  
SCALE 10/1

KEY FOR PLATING AND TAIL LENGTH AND TYPE			
X	TERMINAL PLATING	DIM S $\pm 0.01$ $\pm 0.25$	TERMINAL TYPE
-0XX	30u"/.76u Au OVER 50u"/1.27u Ni	.105/2.67	RD
-1XX	30u"/.76u GXT/GOLD FLASH	.105/2.67	RD
-2XX	30u"/.76u Au OVER 50u"/1.27u Ni	.150/3.81	RD
-3XX	30u"/.76u GXT/GOLD FLASH	.150/3.81	RD
-4XX	30u"/.76u Au OVER 50u"/1.27u Ni	.105/2.67	SQ
-5XX	15u"/.38u GXT/GOLD FLASH	.105/2.67	SQ
-6XX	30u"/.76u Au OVER 50u"/1.27u Ni	.150/3.81	SQ
-7XX	30u"/.76u GXT/GOLD FLASH	.150/3.81	SQ
-8XX	15u"/.38u Au OVER 50u"/1.27u Ni	.150/3.81	SQ
-9XX	30u"/.76u GXT/GOLD FLASH	.105/2.67	SQ

NOTES


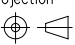
- SAME PIN POSITION TOLERANCE APPLIES TO BOTH ENDS OF EACH TERMINAL.
- MOLDING MAT'L; 30% GLASS-FILLED POLYESTER, PCT FLAME RETARDANT PER UL 94VE-0, COLOR; BEIGE
1. MAX DRAFT PERMISSIBLE ON ALL SURFACES.
- 4 POUNDS/1.8 KILOGRAMS MIN. TERM. PULL-OUT FORCE.
- TERMINAL MAT'L: PHOSPHOR BRONZE.
- A. PART NUMBERS HAVING AN "R" FOLLOWING THE 8 DIGIT P/N (EXAMPLE 89541-010 R) HAVE A RETENTION FEATURE. LOCATION IS MANUFACTURER'S OPTION.  
B. CONNECTORS WITH RETENTION AND ROUND PINS HAVE 15LB/6.8KG MAX INSERTION AND .25LB/.11KG MIN RETENTION FORCE WHEN USED IN A .035/.89±.003/.08 DIA HOLE AND .062/1.58 THICK PCB BOARD  
C. CONNECTORS WITH RETENTION AND SQUARE PINS HAVE A 15LB/6.8KG MAX INSERTION AND A .5LB/.23KG MIN RETENTION WHEN USED IN A .040/1.02±.003/.08 DIA HOLE AND A .062/1.58 THICK PCB BOARD.
- MAY BE ORDERED WITH G-PAX PACKAGING BY ADDING "G" TO THE END OF THE 8 DIGIT PART NUMBER PER GES-14-314.
- THE HOUSING OF XXXXX-XYLF WILL WITHSTAND EXPOSURE TO 260°C PEAK TEMPERATURE FOR 10 SECONDS IN A WAVE SOLDER PROCESS.
- 89541-\*\*\*LF IS JUST A LEAD FREE PRODUCT.

mat'l. code		tolerances unless otherwise specified		CUSTOMER COPY		 www.fciconnect.com			
ltr	ecn no	dr	date	linear	projection	title			
D						.X ± 0.3	 INCH/MM 1:1 A3	HEADER QUICKIE SLIM LINE RIGHT ANGLE, 4 WALL HTP	
						.XX ± 0.13		product family	code
				.XXX ± 0.05	QUICKIE				
				angles		size	dwg no		
		dr	M. CLOUSER	7/11/90		89541			
		engr	M.SMYK	7/11/90		sheet			
		chr	M.SMYK	1/17/94		2 of 3			
		ppd	M.SMYK	6/14/93					
sheet index	revision sheet								

Tous droits strictement reserves. Reproduction ou communication a des tiers interdite sous quelque forme que ce soit sans autorisation ecrite du proprietaire. Propriete de c FCI. Droits de reproduction FCI.

All rights strictly reserved. Reproduction or issue to third parties in any form whatever is not permitted without written authority from the proprietor. Property of FCI. Copyright FCI.

NOTE 6	POS	DIM A	DIM B	DIM C	STYLE	NOTE
89541-X02(LF)	2X5	.78/19.8	.72/18.3	.400/10.16	B	
↑ -X10(LF)	2X5	.78/19.8	.72/18.3	.400/10.16	A	7
-X14(LF)	2X7	.98/24.9	.92/23.4	.600/15.24	C	
-X16(LF)	2X8	1.08/27.9	1.02/25.9	.700/17.78	D	
-X20(LF)	2X10	1.28/32.5	1.22/31.0	.900/22.86		
-X24(LF)	2X12	1.48/37.6	1.42/36.1	1.100/27.94		
-X26(LF)	2X13	1.58/40.1	1.52/38.6	1.200/30.48		
-X30(LF)	2X15	1.78/45.2	1.72/43.7	1.400/35.56		
-X34(LF)	2X17	1.98/50.3	1.92/48.8	1.600/40.64		
-X40(LF)	2X20	2.28/57.9	2.22/56.4	1.900/48.26		
-X44(LF)	2X22	2.48/63.0	2.42/61.5	2.100/53.34		
↓ -X50(LF)	2X25	2.78/70.6	2.72/69.1	2.400/60.96		
89541-X60(LF)	2X30	3.28/83.3	3.22/81.8	2.900/73.66	D	

mat'l. code		tolerances unless otherwise specified		CUSTOMER COPY		 www.fciconnect.com		
ltr	ecn no	dr	date	linear	.X ± 0.3	projection		
D					.XX ± 0.13			title <b>HEADER QUICKIE SLIM LINE          RIGHT ANGLE, 4 WALL HTP</b>
					.XXX ± 0.05			
				angles	±	INCH/MM	code	
		dr	<b>M. CLOUSER</b>	<b>7/11/90</b>	← →	product family <b>QUICKIE</b>	code	
		enrg	<b>M.SMYK</b>	<b>7/11/90</b>	← →	size	dwg no	
		chr	<b>M.SMYK</b>	<b>1/17/94</b>	← →	scale	sheet	
		appd	<b>M.SMYK</b>	<b>6/14/93</b>	← →	1:1	3 of 3	
sheet	revision							
index	sheet							