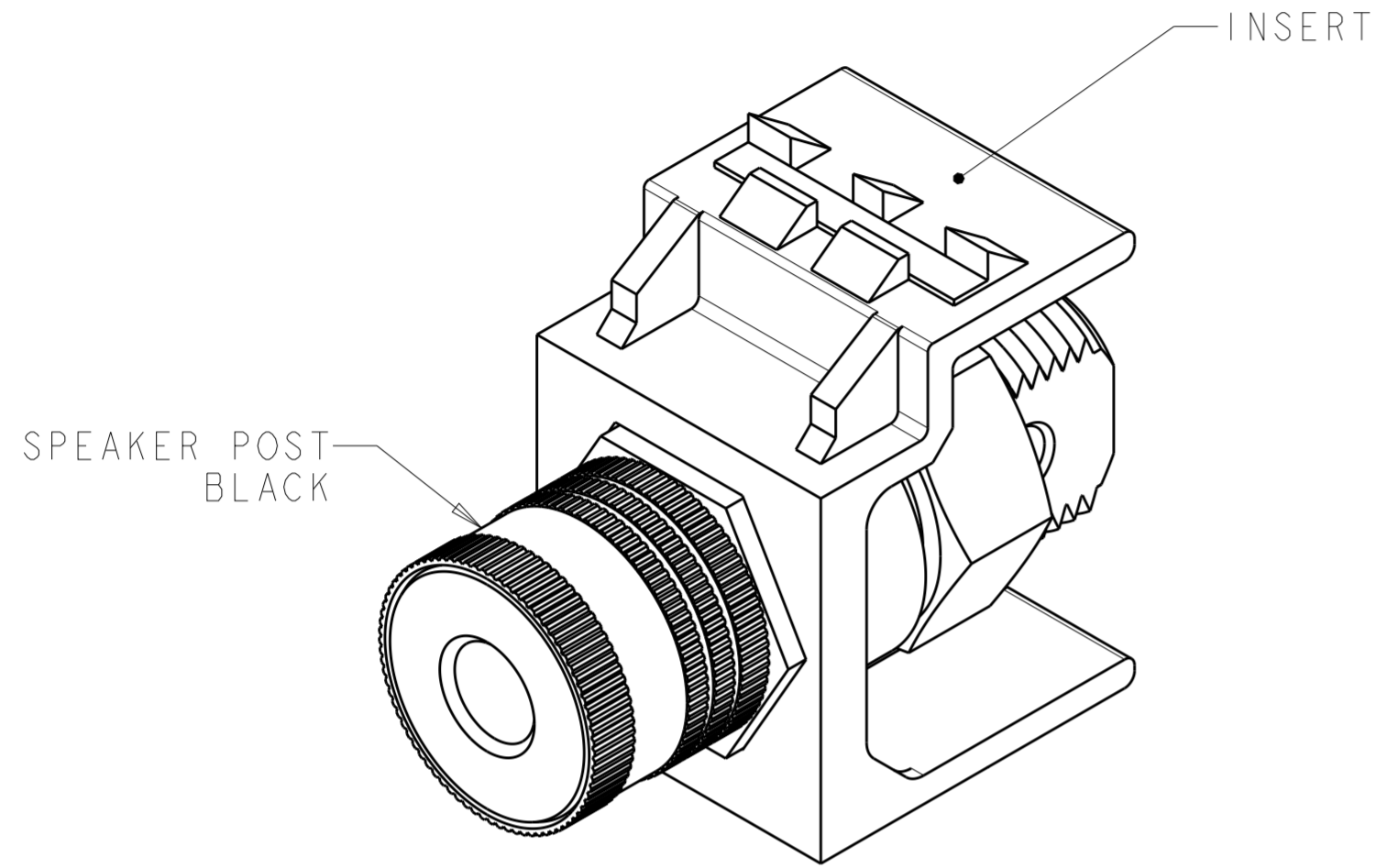
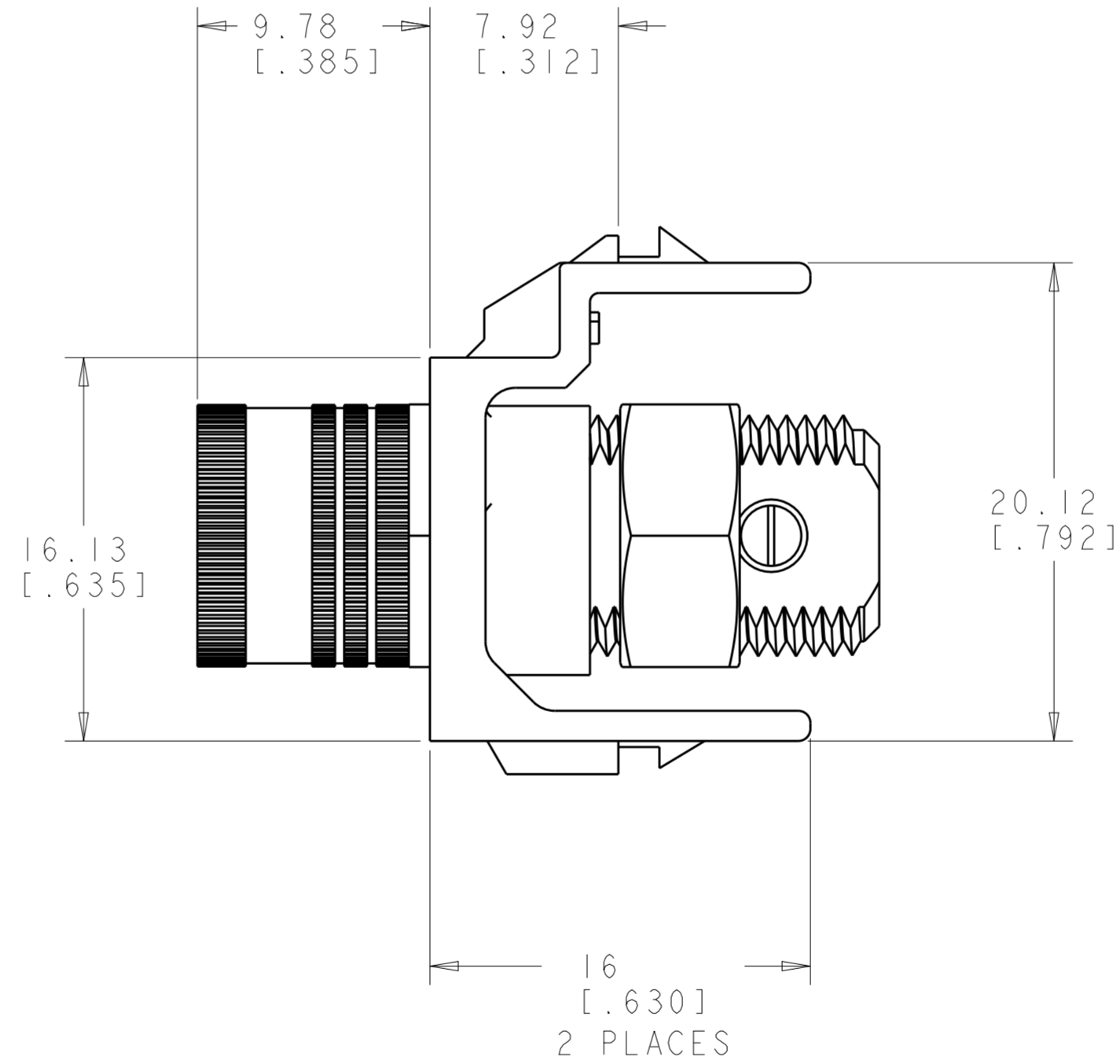


THIS DRAWING IS UNPUBLISHED. RELEASED FOR PUBLICATION 20
 © COPYRIGHT 20 BY - ALL RIGHTS RESERVED.

LOC	DIST	REVISIONS					
HM	00	P	LTR	DESCRIPTION	DATE	DWN	APVD
		C		ECO-13-007680	07MAY2013	JM	RA



- ① MATERIAL:
 INSERT - POLYCARBONATE MOLDING COMPOUND, SEE TABLE FOR COLOR.
 SPEAKER POST - BRASS, GOLD PLATED.
- ② UNLESS OTHERWISE SPECIFIED ALL DIMENSIONS ARE SHOWN NOMINAL.



ALPINE WHITE	I-1479190-3
LIGHT ALMOND	1479190-1
COLOR	PART NUMBER

THIS DRAWING IS A CONTROLLED DOCUMENT.		DWN G. GARRETT 22MAR02	TE Connectivity			
DIMENSIONS: MM [INCHES]		CHK G. BOWMAN 22MAR02				
TOLERANCES UNLESS OTHERWISE SPECIFIED:		APVD G. BOWMAN 22MAR02				
0 PLC ± 1 PLC ± 2 PLC ± 3 PLC ± 4 PLC ± ANGLES ± FINISH ±		NAME INSERT ASSEMBLY, SPEAKER POST, BLACK, SL SERIES				
MATERIAL		PRODUCT SPEC	SIZE	CAGE CODE	DRAWING NO	RESTRICTED TO
① -		APPLICATION SPEC	A2	00779	C-1479190	-
		WEIGHT	SCALE 4:1		SHEET 1 OF 1	REV C
		CUSTOMER DRAWING				