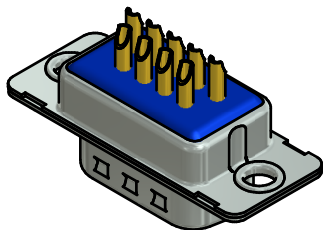
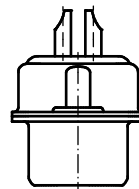
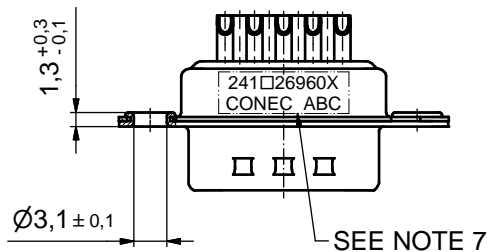
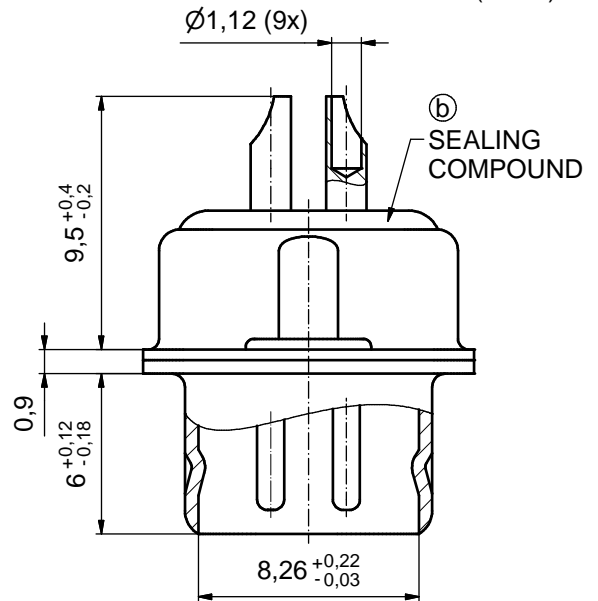
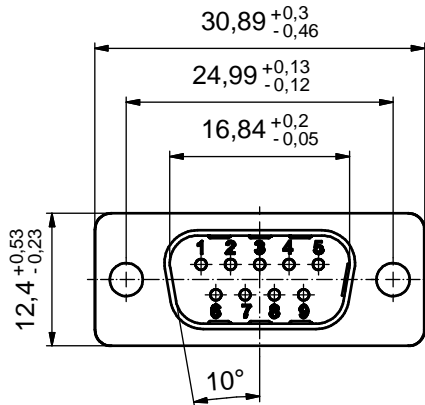


**Solder Instruction**

1. Cable should be prepared for soldering. The cable/wires must be pretinned.
2. Insert cable/wire into solder cup
3. Operate the soldering iron at 350°C, 50 Watt max. and use a pencil tip.
4. Apply some solder to the solder tip of the soldering iron.
5. Put tip to wire in solder cup
6. After 1 second bring in solder.
7. Heat for 3 seconds longer. Do not heat contact more than 6 seconds in total.
8. Remove soldering iron.
9. Wait until solder gets rigid again.
10. Do not solder adjacent contacts consecutively, alternate position within the connector to minimize heat build up.

(5:1)



ⓑ

**NOTES:**

1. METALSHELLS: STEEL; min. 315µin TIN over 40-80µin NICKEL
2. INSULATOR: HIGH TEMPERATURE PLASTIC UL 94 V-0; BLACK
3. CONTACTS: COPPER ALLOY; PLATING (SEE PART-NO.):
  - PLEASE ADD A for GOLD FLASH over NICKEL (PREFERRED TYPE)
  - PLEASE ADD B for 20µin HARD GOLD over min. 50µin NICKEL
  - PLEASE ADD C for 30µin HARD GOLD over min. 50µin NICKEL
- SOLDER CUP ACCEPTS CABLE AWG 20
4. SEALING COMPOUND: PUR; BLUE
5. CAPACITANCE: 1300pF ±20%
6. DIELECTRIC WITH STANDING VOLTAGE: 424 VDC
7. CONNECTOR IS PART MARKED: [241□26960X CONEC ABC] (see note 3)

RoHS compliant

THIS DRAWING MAY NOT BE COPIED OR REPRODUCED IN ANY WAY, AND MAY NOT BE PASSED ON TO A THIRD PARTY WITHOUT WRITTEN PERMISSION. OWNERSHIP AND COPYRIGHT OF CONEC GmbH DO NOT ALTER CAD DRAWING BY HAND				tolerance		scale: 2:1 (5:1)	
				date	name	material: SEE NOTES	
				drawn	06.02.06	Lehmenkühler	
				appd.	06.02.06	Mickenbecker	
				norm	DIN 41652		
			d-old				
2 x b	Ä6200	20.06.2016	Lehm.	<b>CONEC</b> <sup>®</sup>		title: D-SUB FILTER MALE 9pos. SOLDER CUP	
a	Original					dwg no: 24K1A761	DIN-A3 sh: 1
rev.	description	date	name			part no: 241□26960X (see note 3)	