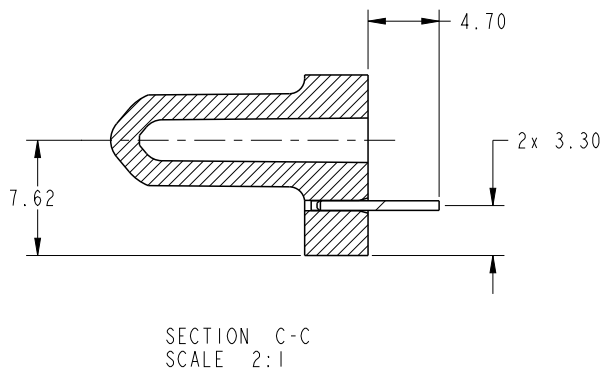
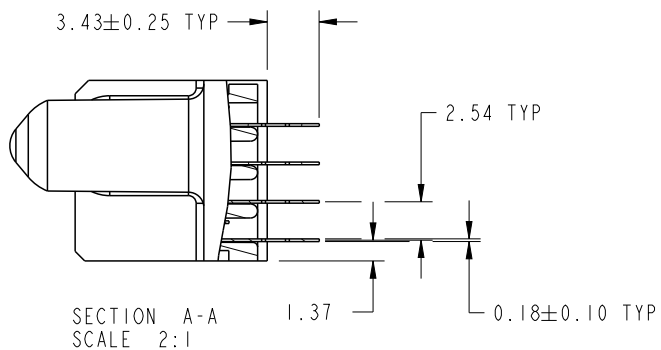


PRODUCT NUMBER

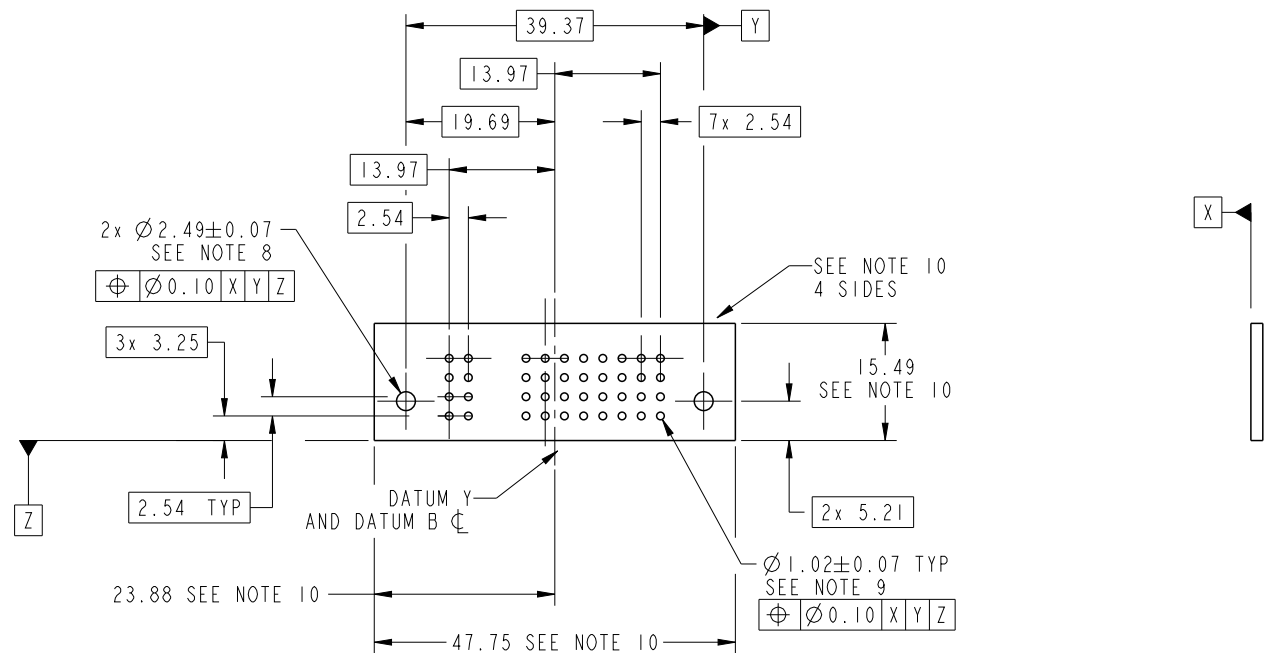
51940-523__
NOTE: 3



dr	Luo Weller	2014/02/11	projection 	MM 	size	A4	scale	1:1	
eng	Luo Weller	2014/02/21			ecn no	-			
chr	-	-			rel level	Released			
appr	Pei-Ming Zheng	2014/02/21	product family	PwrBlade					
		title	48S VERTICAL PRESS-FIT RECEPT		dwg no	51940-523		rev	A
www.fci.com		cat. no.	*	Product - Customer Drw			sheet 2 of 4		

PRODUCT NUMBER

51940-523__
NOTE: 3



RECOMMENDED PCB LAYOUT

dr	Luo Weller	2014/02/11	projection 	MM 	size	A4	scale	1:1	
eng	Luo Weller	2014/02/21			ecn no	-			
chr	-	-							
appr	Pei-Ming Zheng	2014/02/21	product family	PwrBlade	rel level	Released			
	title	48S VERTICAL PRESS-FIT RECEPT			dwg no	51940-523		rev	A
www.fci.com	cat. no.	*	Product - Customer Drw			sheet 3 of 4			

PRODUCT NUMBER

51940-523__
NOTE: 3

NOTES:

1. DIMENSIONS AND TOLERANCES ARE IN ACCORDANCE WITH ASME Y14.5M, 1994 UNLESS OTHERWISE SPECIFIED.

CONNECTOR NOTES:

- 2 HOUSING MATERIAL: UL 94 V-0 GLASS FILLED HIGH-TEMP THERMOPLASTIC
POWER CONTACT MATERIAL: COPPER ALLOY
SIGNAL PIN MATERIAL: COPPER ALLOY
- 3. SEE ITEM 7 & 8 IN PRINT 10064183 FOR PLATING SPEC OF 51940-523 AND 51940-523LF RESPECTIVELY.
- 4 MANUFACTURER'S NAME, DATE CODE AND OPTIONAL P/N TO APPEAR ON THIS SURFACE. THE MARK CAN BE OMITTED IF THERE IS NOT ENOUGH SPACE ON THIS SURFACE.
- 5. PRODUCT SPECIFICATION GS-12-149.
APPLICATION SPECIFICATION BUS-20-067.
- 6. PACKAGED IN TRAYS.
- PCB NOTES:
- 7. ALL HOLE DIAMETERS ARE FINISHED HOLE SIZE.
- 8 MOUNTING HOLES, WHERE APPLICABLE, ARE UNPLATED.
- 9 $\varnothing 1.151 \pm 0.025$ DRILLED HOLES PLATED WITH
0.008 MIN SnPb OR Sn OVER 0.03
TO 0.08 Cu PLATING TO ACHIEVE
 $\varnothing 1.02 \pm 0.07$ HOLE.
- 10 CONNECTOR KEEP-OUT ZONE.
- 11. THE VOID CORING IN BETWEEN POWER MODULES, SIGNAL MODULES AND END MODULES ARE OPTIONAL AND THE SHAPE MAY BE DIFFERENT FOR OPTIMIZE THE MOLDING PROCESS. THE VOID CORING WILL NOT EFFECT TO PRODUCT FUNCTION.



Copyright FCI.

dr	Luo Weller	2014/02/11	projection 	MM 	size	A4	scale	1:1		
eng	Luo Weller	2014/02/21			ecn no	-				
chr	-	-			product family	PwrBlade	rel level	Released		
appr	Pei-Ming Zheng	2014/02/21			title	48S	dwg no	51940-523	rev	A
www.fci.com		cat. no.	*	Product - Customer Drw			sheet 4 of 4			