

MATERIALS AND FINISHES

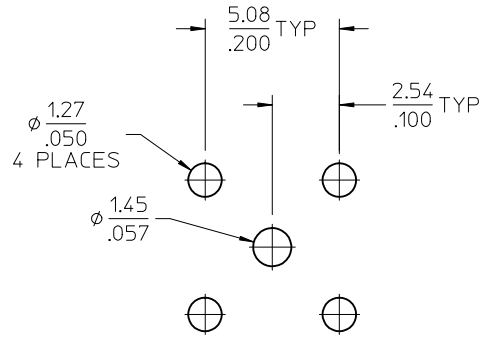
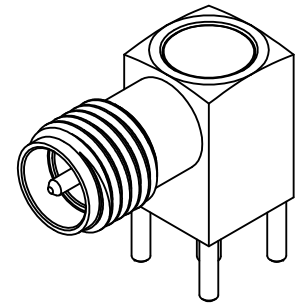
BODY: ZINC ALLOY
PLATED SEE TABLE

CENTER CONTACT: BRASS
PLATED GOLD

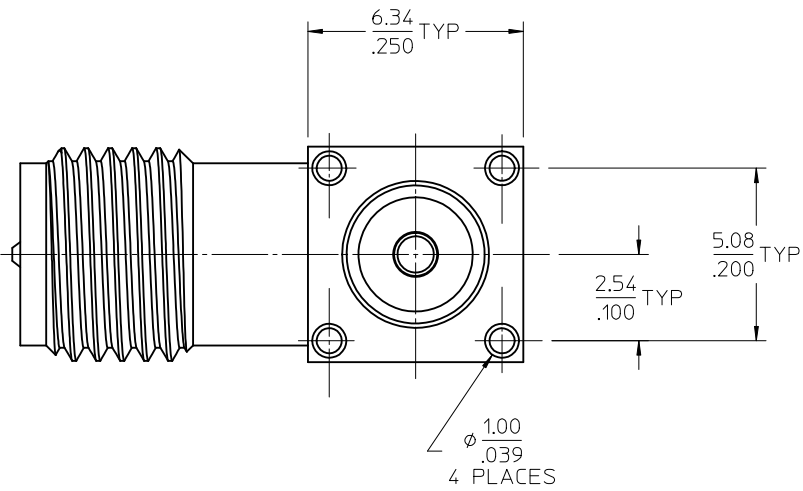
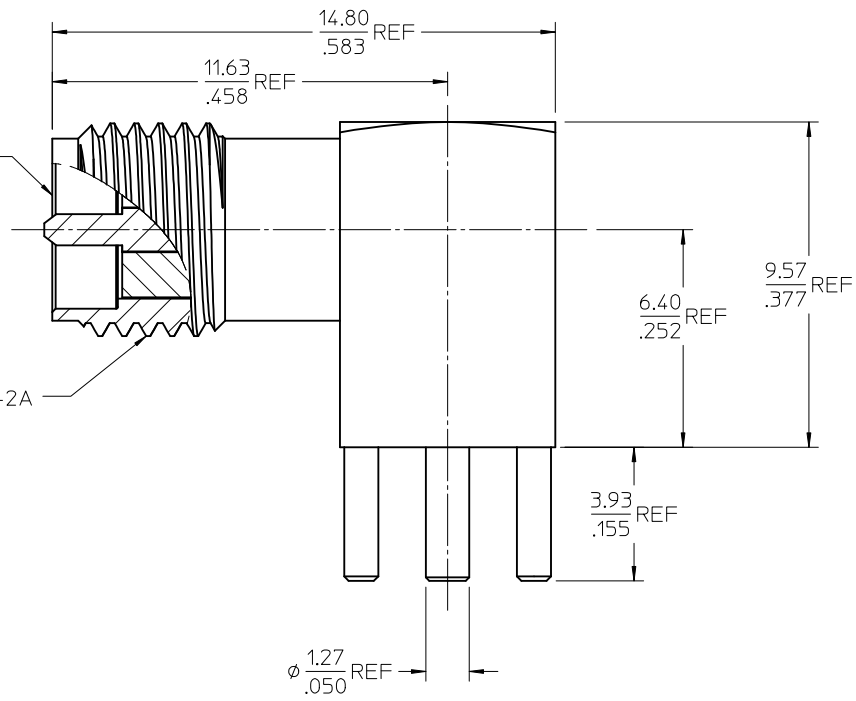
INSULATOR TEFLON

SMA JACK
REVERSE POLAR

1/4-36 UNS-2A



RECOMMENDED PCB PATTERN



73391-0321	NICKEL
73391-0320	GOLD
PART NO	PLATING

CHG: UPDATED VIEW PER RF12-E097 E.C. NO: URF2012-0739 DRW:RYEH CHKD: APPR:MHUANG 2012/06/08 2012/06/25	QUALITY SYMBOLS	GENERAL TOLERANCES (UNLESS SPECIFIED)	DIMENSION STYLE	SCALE	DESIGN UNITS	THIRD ANGLE PROJECTION
	▽=0	mm INCH	MM/IN	5:1	METRIC	☉
	▽=0	4 PLACES ± --- ± ---	DRAWN BY DATE	TITLE		
	▽=0	3 PLACES ± --- ± ---	CHECKED BY DATE	SMA JACK RA REVERSE POLAR PCB TH SMA-J/RA/PCB EWR-4968		
		2 PLACES ± --- ± ---	APPROVED BY DATE	molex		
		1 PLACE ± --- ± ---	MATERIAL NO.	DOCUMENT NO.	SHEET NO.	
		0 PLACE ± --- ± ---	SEE TABLE	SD-73391-032	1 OF 1	
		ANGULAR ± 2 °	THIS DRAWING CONTAINS INFORMATION THAT IS PROPRIETARY TO MOLEX INCORPORATED AND SHOULD NOT BE USED WITHOUT WRITTEN PERMISSION			
		DRAFT WHERE APPLICABLE MUST REMAIN WITHIN DIMENSIONS				