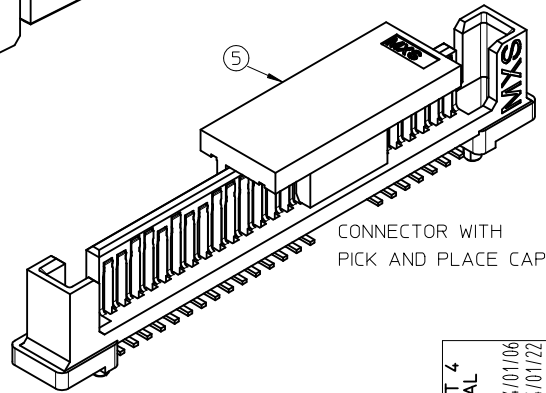
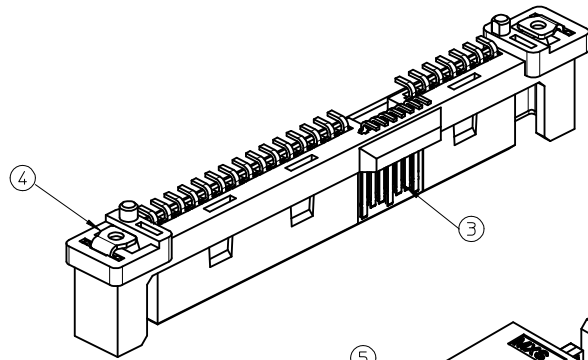
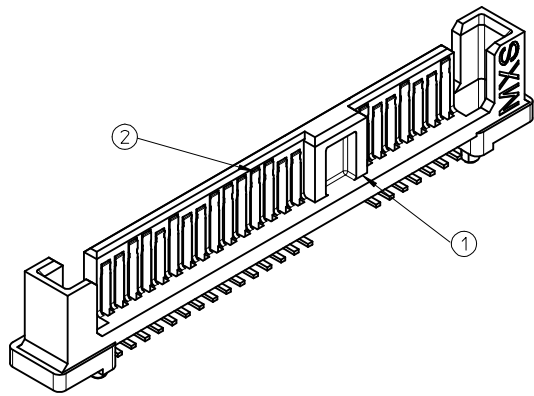


NO.	PART NAME	QTY.	MATERIAL
1	HOUSING	1	NYLON(PA), UL 94V-0, COLOR: BLACK
2	CONTACT A	22	COPPER ALLOY
3	CONTACT B	7	COPPER ALLOY
4	FITTING-NAIL	2	COPPER ALLOY
5	PICK & PLACE CAP	1	PA46, UL 94V-0, COLOR: BLACK



CONNECTOR WITH PICK AND PLACE CAP

NOTES:

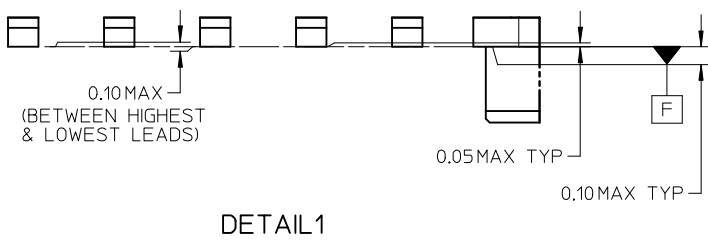
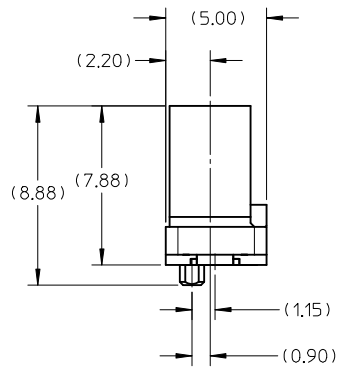
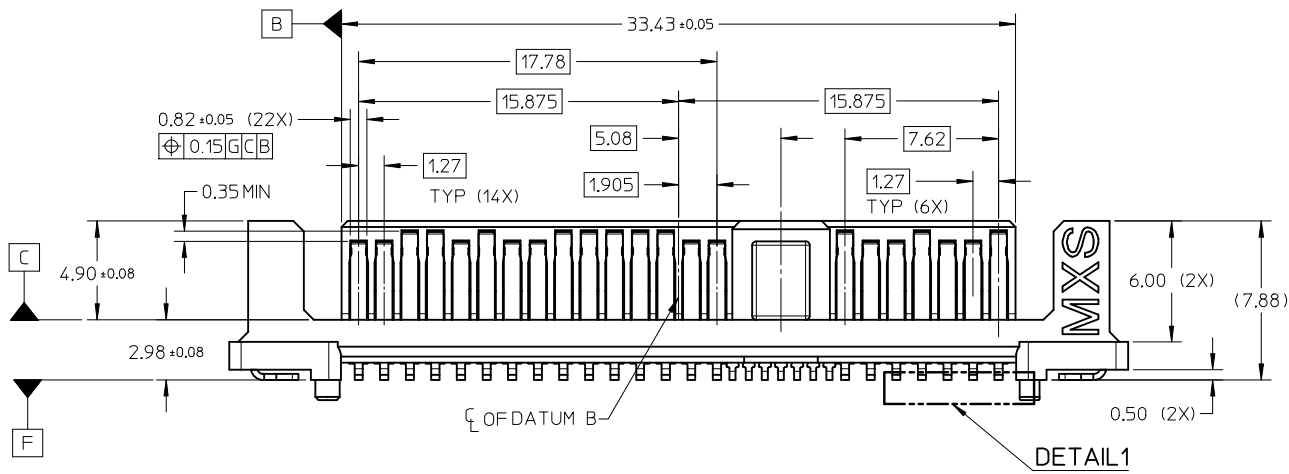
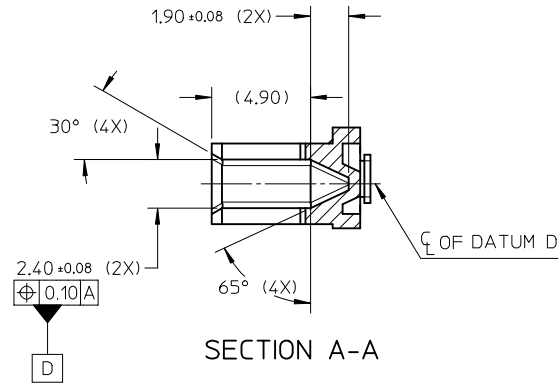
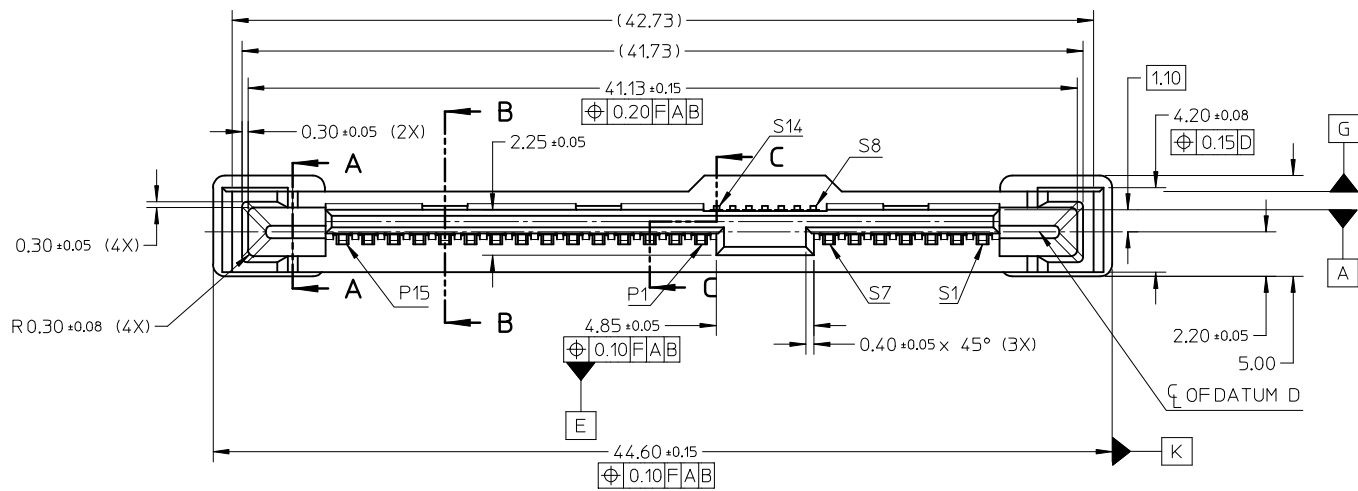
1. MATERIAL: REFER TO THE ABOVE PART-LIST.
2. PLATING SPECIFICATION: REFER TO TABLE-1.
3. APPLICABLE INDUSTRY SPECIFICATION :  
SFF-8482 UNSHIELDED DUAL PORT SERIAL ATTACHMENT CONNECTOR.
4. PRODUCT SPECIFICATION: PS-78012-002.
5. PACKING: REFER TO PACKING INFORMATION (SHEET 5/5).
6. DATE CODE FORMAT: YEAR & DAY OF MANUFACTURE.
7. MOLEX LOGO IS LOCATED APPROXIMATELY AS SHOW.
8. MAXIMUM WARPAGE OF 0.13mm OVER THE LENGTH OF THE CONNECTOR IN ANY DIRECTION BEFORE AND AFTER EXPOSURE TO MAX. 260°C FOR 10 SECONDS.

TABLE-1: ( CONTACT AND FITTING-NAIL PLATING SPECIFICATION )

PART NAME	MATING AREA	TERMINAL AREA	OTHERS AREA
CONTACT	GOLD (0.764μm MIN.)	TIN (1.914μm MIN.)	NICKEL PLATING
	OVER 1.274μm MIN. NICKEL UNDERPLATE		
FITTING-NAIL	TIN OVER NICKEL UNDERPLATE		

SHT 31C61.17.42 & SHT 4 IF6120.09 TO 3 DECIMAL EC NO: S2014-0634 DRWN:SKANG 2014/01/06 CHKD:MLONG 2014/01/22 APPR:MLONG 2014/01/22	QUALITY SYMBOLS $F_A=0$ $F_G=0$ $F_P=0$	GENERAL TOLERANCES (UNLESS SPECIFIED) mm INCH 4 PLACES ± --- ± --- 3 PLACES ± --- ± --- 2 PLACES ± 0.20 ± --- 1 PLACE ± --- ± --- ANGULAR ± 3 °	DIMENSION STYLE MM ONLY DRAWN BY CGOH DATE 2007/01/12 CHECKED BY CGTAN DATE 2007/02/06 APPROVED BY BOKOK DATE 2010/02/02	SCALE NTS	DESIGN UNITS METRIC	THIRD ANGLE PROJECTION	TITLE SERIAL ATA SCSI (SAS) PLUG, VERTICAL MOUNT SMT
	DRAFT WHERE APPLICABLE MUST REMAIN WITHIN DIMENSIONS	MATERIAL NO. 78164-1051	MOLEX INCORPORATED	DOCUMENT NO. SD-78164-100	SHEET NO. 1 OF 5		
	SIZE A3	THIS DRAWING CONTAINS INFORMATION THAT IS PROPRIETARY TO MOLEX INCORPORATED AND SHOULD NOT BE USED WITHOUT WRITTEN PERMISSION					
	REV A4						

10 9 8 7 6 5 4 3 2 1



SHT 31C61 17.42 & SHT 4  
 IFC 6120.09 TO 3 DECIMAL  
 EC NO: S2014-0634  
 2014/01/06  
 DRWN:SKANG  
 2014/01/22  
 CHKD:MLONG  
 2014/01/22  
 APPR:MLONG

REV	DESCRIPTION
△ <sub>A</sub> = 0	QUALITY SYMBOLS
△ <sub>E</sub> = 0	
△ <sub>F</sub> = 0	

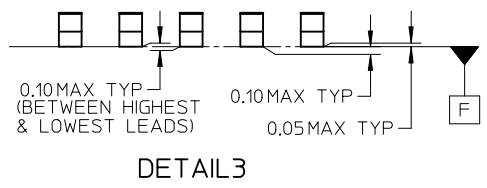
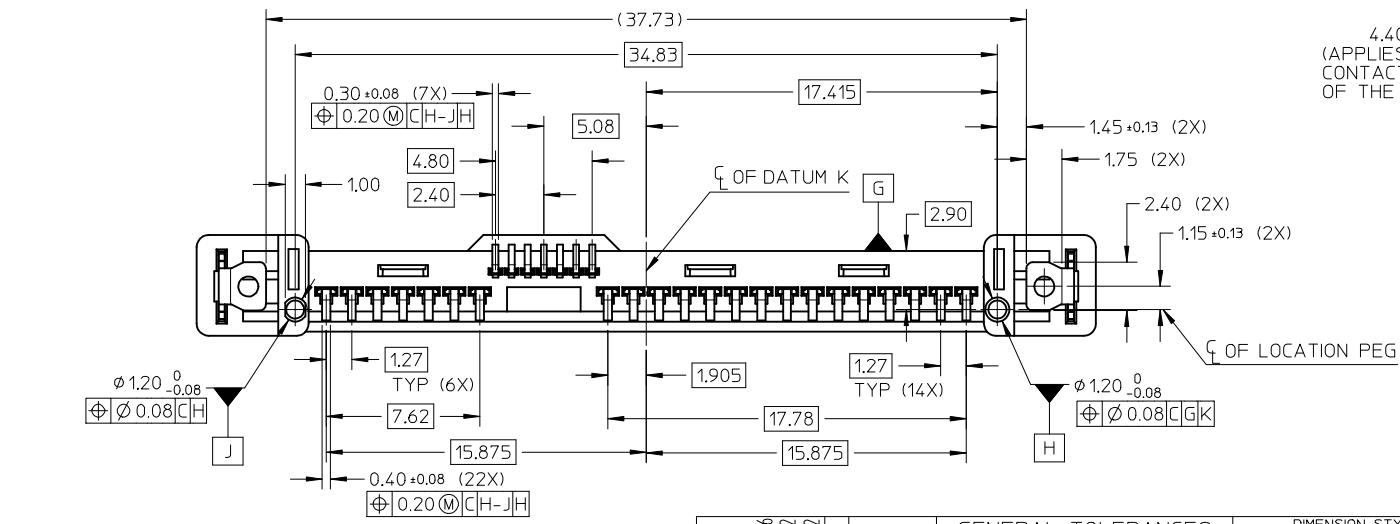
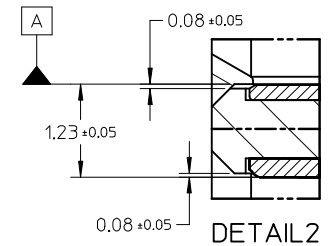
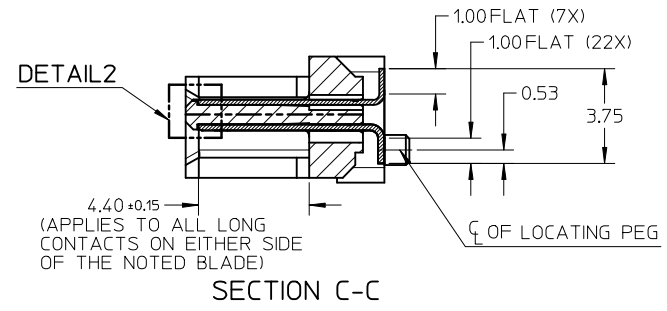
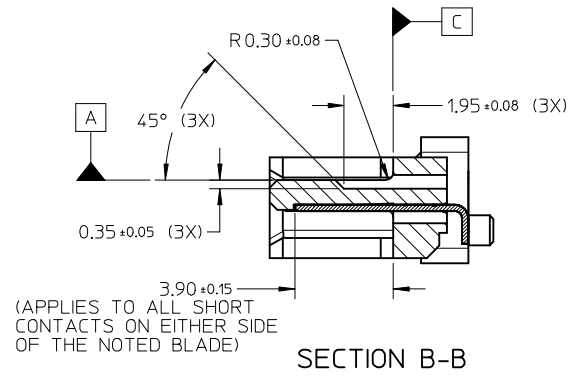
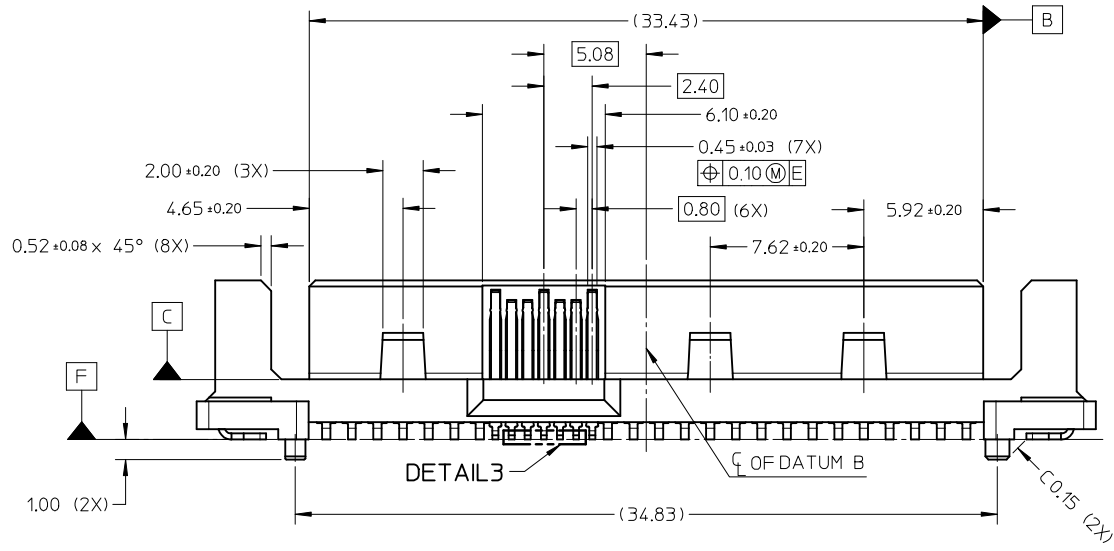
GENERAL TOLERANCES (UNLESS SPECIFIED)	
	mm INCH
4 PLACES	± --- ± ---
3 PLACES	± --- ± ---
2 PLACES	± 0.20 ± ---
1 PLACE	± --- ± ---
ANGULAR ± 3 °	
DRAFT WHERE APPLICABLE MUST REMAIN WITHIN DIMENSIONS	

DIMENSION STYLE	
MM ONLY	
DRAWN BY	DATE
CGOH	2007/01/12
CHECKED BY	DATE
CGTAN	2007/02/06
APPROVED BY	DATE
BOKOK	2010/02/02
MATERIAL NO.	
78164-1051	

SCALE	DESIGN UNITS	THIRD ANGLE PROJECTION	
NTS	METRIC		
TITLE			
SERIAL ATA SCSI (SAS) PLUG, VERTICAL MOUNT SMT			
MOLEX INCORPORATED			
DOCUMENT NO.	SHEET NO.		
SD-78164-100	2 OF 5		
THIS DRAWING CONTAINS INFORMATION THAT IS PROPRIETARY TO MOLEX INCORPORATED AND SHOULD NOT BE USED WITHOUT WRITTEN PERMISSION			

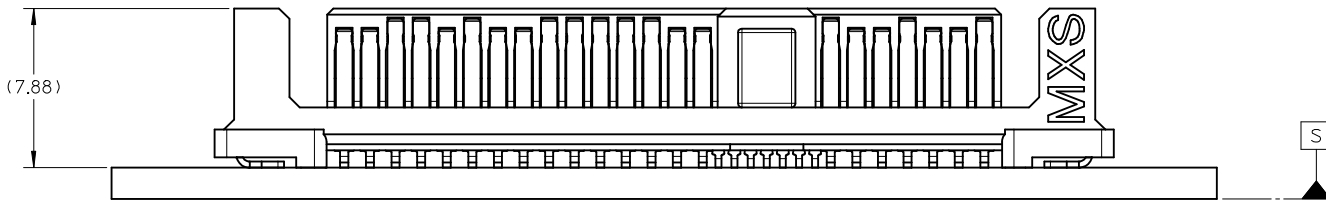
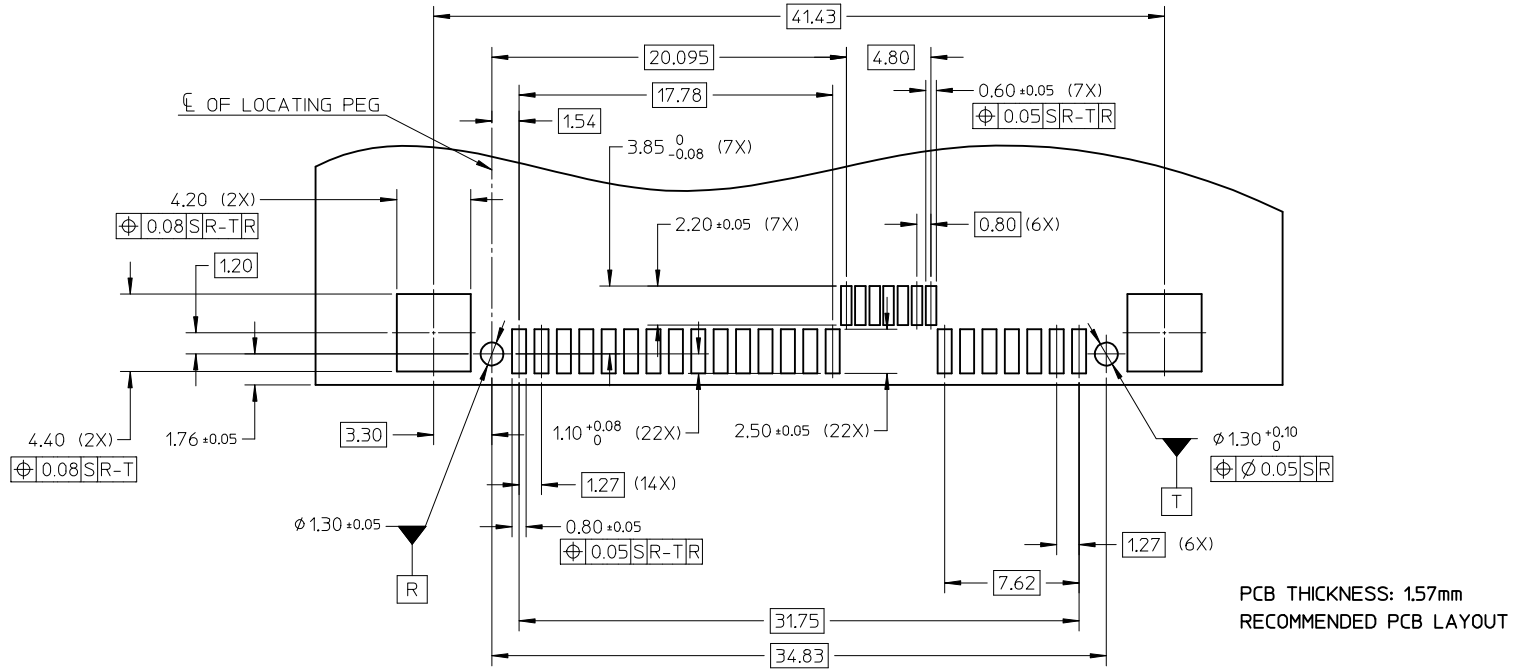
9 8 7 6 5 4 3 2 1

10 9 8 7 6 5 4 3 2 1



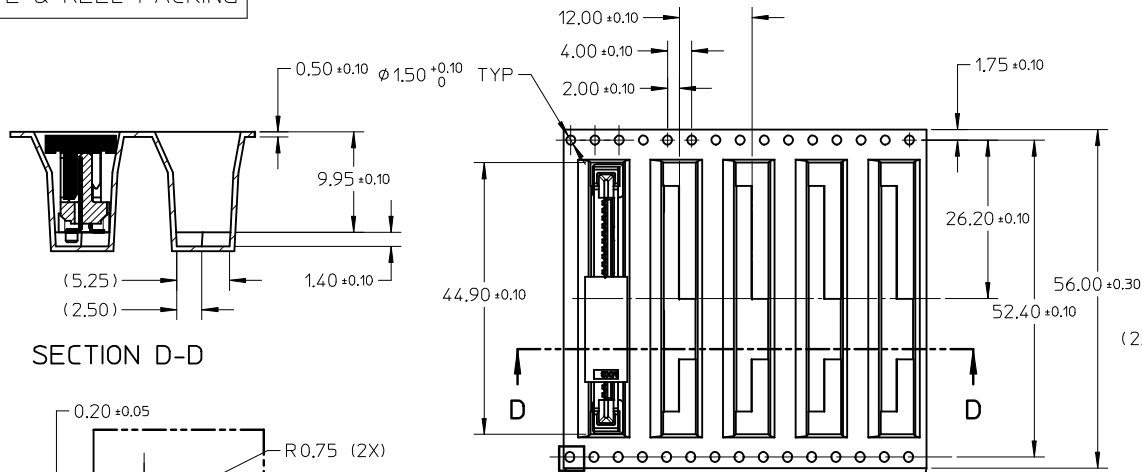
SHT 3(C6) 17.42 & SHT 4 IFC 120.09 TO 3 DECIMAL EC NO: S2014-0634 DRWN:SKANG 2014/01/06 CHKD:MLONG 2014/01/22 APPR:MLONG 2014/01/22	QUALITY SYMBOLS	GENERAL TOLERANCES (UNLESS SPECIFIED)		DIMENSION STYLE	SCALE	DESIGN UNITS	THIRD ANGLE PROJECTION	
	$F_A=0$ $F_G=0$ $F_P=0$	mm	INCH	MM ONLY	NTS	METRIC		
	4 PLACES ± --- ± --- 3 PLACES ± --- ± --- 2 PLACES ± 0.20 ± --- 1 PLACE ± --- ± ---	ANGULAR ± 3°		DRAWN BY	DATE	TITLE		
	DRAFT WHERE APPLICABLE MUST REMAIN WITHIN DIMENSIONS	MATERIAL NO. <b>78164-1051</b>		CGOH	2007/01/12	SERIAL ATA SCSI (SAS) PLUG, VERTICAL MOUNT SMT		
A4	REV	APPROVED BY BOKOK 2010/02/02		CHECKED BY CGTAN 2007/02/06	MOLEX INCORPORATED			
		SIZE A3		DOCUMENT NO. SD-78164-100			SHEET NO. 3 OF 5	
THIS DRAWING CONTAINS INFORMATION THAT IS PROPRIETARY TO MOLEX INCORPORATED AND SHOULD NOT BE USED WITHOUT WRITTEN PERMISSION								

9 8 7 6 5 4 3 2 1

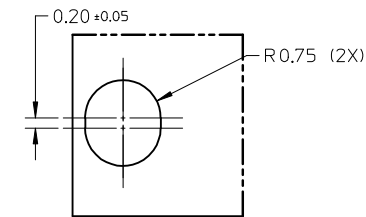


SHT 31C61 17.42 & SHT 4 IFC 120.09 TO 3 DECIMAL EC NO: S2014-0634 DRWN:SKANG 2014/01/06 CHKD:MLONG 2014/01/22 APPR:MLONG 2014/01/22	QUALITY SYMBOLS	GENERAL TOLERANCES (UNLESS SPECIFIED)		DIMENSION STYLE MM ONLY		SCALE NTS	DESIGN UNITS METRIC	THIRD ANGLE PROJECTION	
	$F_A=0$	mm	INCH	DRAWN BY	DATE	TITLE			
	$F_G=0$	4 PLACES $\pm$ ---	$\pm$ ---	CGOH	2007/01/12	SERIAL ATA SCSI (SAS) PLUG, VERTICAL MOUNT SMT			
	$F_P=0$	3 PLACES $\pm$ ---	$\pm$ ---	CHEKED BY	DATE	MOLEX INCORPORATED			
	2 PLACES $\pm$ 0.20	$\pm$ ---	APPROVED BY	DATE	MATERIAL NO.		DOCUMENT NO.		SHEET NO.
	1 PLACE $\pm$ ---	$\pm$ ---	BOKOK	2010/02/02	78164-1051		SD-78164-100		4 OF 5
	ANGULAR $\pm$ 3°		DRAFT WHERE APPLICABLE MUST REMAIN WITHIN DIMENSIONS		THIS DRAWING CONTAINS INFORMATION THAT IS PROPRIETARY TO MOLEX INCORPORATED AND SHOULD NOT BE USED WITHOUT WRITTEN PERMISSION				

TAPE & REEL PACKING

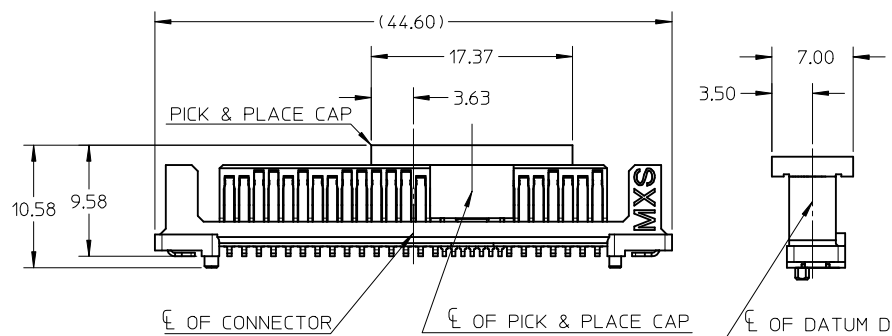
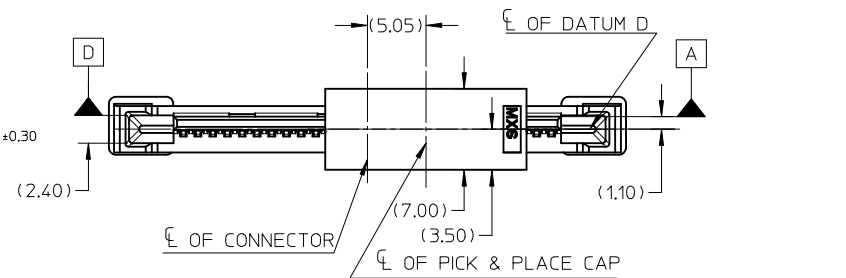
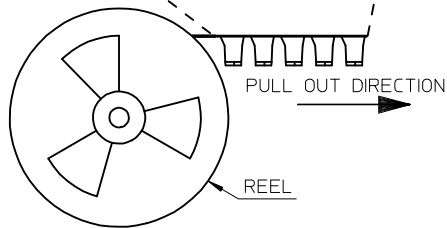


SECTION D-D



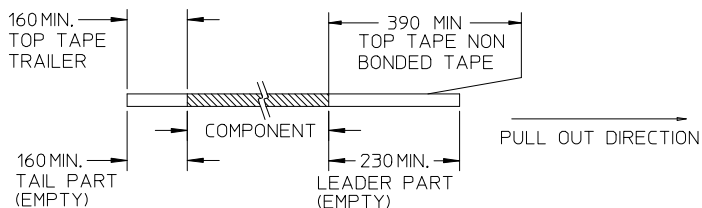
DETAIL 4

DETAIL 4

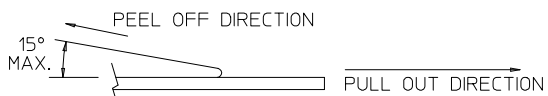


NOTES:

1. LEADER AND TRAILER TAPE



2. PEELING OFF FORCE OF THE TOP TAPE: 20 - 80gf MAX. (PEELING DIRECTION AS SHOWN IN FOLLOWING FIGURE)



- 3. TAPE AND REEL SPECIFICATION IS AS PER EIA-481.
- 4. TAPE AND REEL QUANTITY : 400 PCS/ REEL.
- 5. THE TAPE IS TREATED FOR ANTI-STATIC.

SHT 3IC61 17.42 & SHT 4  
 IFC 120.09 TO 3 DECIMAL  
 EC NO: S2014-0634  
 DRWN:SKANG 2014/01/06  
 CHKD:MLONG 2014/01/22  
 APPR:MLONG 2014/01/22

REV	DESCRIPTION	QUALITY SYMBOLS
A4		$F_A=0$ $F_G=0$ $F_P=0$

GENERAL TOLERANCES (UNLESS SPECIFIED)	
	mm INCH
4 PLACES	± --- ± ---
3 PLACES	± --- ± ---
2 PLACES	± 0.20 ± ---
1 PLACE	± --- ± ---
ANGULAR ± 3 °	
DRAFT WHERE APPLICABLE MUST REMAIN WITHIN DIMENSIONS	

DIMENSION STYLE		SCALE	DESIGN UNITS	THIRD ANGLE PROJECTION
MM ONLY		NTS	METRIC	
DRAWN BY	DATE	TITLE		
CGOH	2007/01/12	SERIAL ATA SCSI (SAS) PLUG, VERTICAL MOUNT SMT		
CHECKED BY	DATE	MOLEX INCORPORATED		
CGTAN	2007/02/06	DOCUMENT NO.		
APPROVED BY	DATE	SHEET NO.		
BOKOK	2010/02/02	5 OF 5		
MATERIAL NO.	78164-1051	THIS DRAWING CONTAINS INFORMATION THAT IS PROPRIETARY TO MOLEX INCORPORATED AND SHOULD NOT BE USED WITHOUT WRITTEN PERMISSION		