

Production Information

HEST10M-8E-2G Series

EN50155 Industrial Ethernet POE/PoE+ Switch



Features

- ❖ Support 8 10/100M M12 Connectors and 2 Gigabit M12 Connectors
- ❖ Support 8 POE/POE+ Ports, Max Power of 30W for Each Port
- ❖ EN50155, EN50121, IEC61375-3-4 Compliant for Train Communications
- ❖ Full Layer 2 Management Functions
- ❖ Hardened Design for Stronge Electromagnetic Interference
- ❖ Operating Temperature: -40~+75°C
- ❖ Enclosure Protection: IP67
- ❖ Power Supply: 72~160VDC(Typical:110VDC)
- ❖ Support Bypass Function to Allow Continuous Communication throughout the Train



Henrich Electronics Corporation

Main Office

Tel: 860-487-9869

Fax: 860-487-9478

www.henrich-inc.com

Introduction

HEST10M-8E-2G-VLW series switches are designed for communications between machines/devices inside trains. This line of switches are equipped with intelligent PoE/PoE+ power supply capability, thus provide the flexibility of adding machines/devices without having to worry about power sources. Compliant with IEC61375, EN51055 and EN50121 standards, and working under extreme temperatures (-40°C to +75°C), these highly compactly- designed industrial switches can meet any hazardous environments while providing robust communication performance for critical applications such as train traction and/or braking command requirements through these reliable devices.

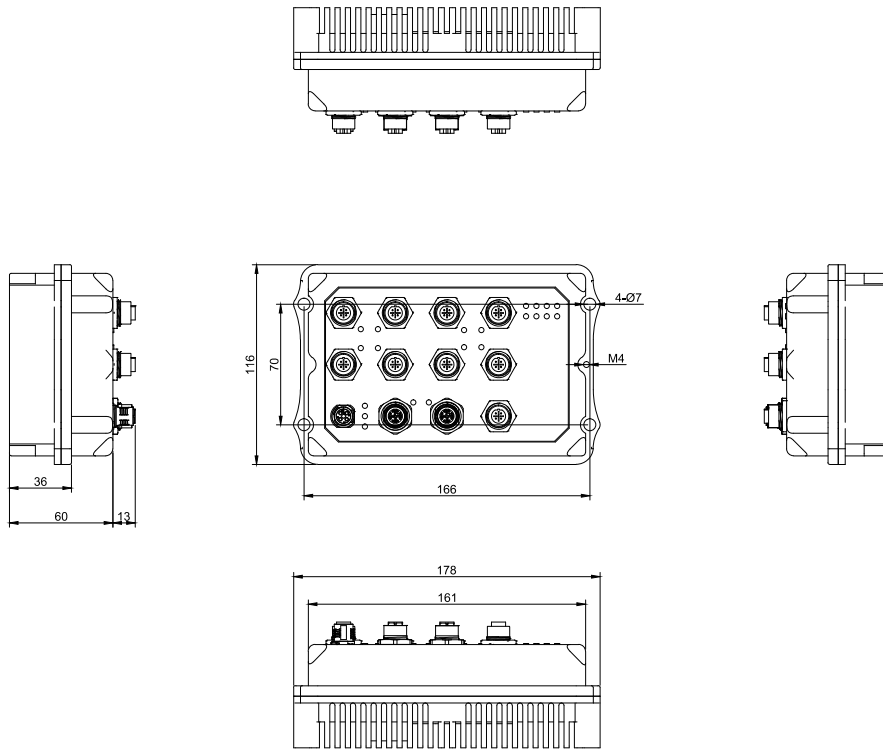
Support 8 x 10/100BaseT(X) M12 Ethernet ports with PoE/PoE+ functions, and 2 Gigabit M12 Copper ports, dual-powered input 72-160VDC, with each port up to 30 watt and total 135 watt for 8 PoE ports. The PoE/PoE+ functions can also be managed intelligently to provide more flexible and controlled power functions.

This line of switches provide a full set of network data management functions such as redundancy recovery, VLAN, QoS, IGMP, Trunking, SNMP, etc., in addition to the hardened M12 connector and IP67 enclosure protection.

Specifications

Technology		Power	
IEEE Standards:	802.3, 802.3u, 802.3ab, 802.3x, 802.1p, 802.1Q, 802.1ad	Voltage:	72~160VDC
Processing Type:	Store and Forward	Power Connector:	M12 Connector
MAC Address:	16K	Mechanics	
Management:	Web Browser	Enclosure:	IP67 High Strength Aluminium
RingOn™:	Recovery time<15ms	Installation:	Wall-mounted
Flow Control:	IEEE802.3x Flow Control, Back Pressure Control	Dimension W*H*D:	166*116*60(Unit: mm)
Protocols :	IGMP Snooping, GMRP, SNMPv1/v2c/v3, DHCP Client, SNTP, HTTP, HTTPS, Telnet, NTP Client	Environment Limits	
Software Functions :	<ul style="list-style-type: none"> • RingOn Redundant Ring Technology: Recovery time less than15ms • VLAN: IEEE 802.1Q Tag VLAN • Port Trunking • Built-in Web Server, remote management and configuration through browser • QoS, 802.1p/1Q and TOS/DiffServe • IGMP Snooping • Static MAC Address Forwarding • SNMP V1/V2c/V3 • RSTP • LLDP • On-line Software Upgrading • Port Mirror: Supports TX, RX, and both packet • Broadcast storm control and Port-Based traffic control • IP Security: 10 IP address entries for permission to access management functions 	Industrial Wide Temperature:	-40°C~75°C
Connector		Storage Temperature:	-40°C~85°C
M12 Connector:	8 x 10/100BaseT(X) M12 Ethernet ports with PoE/PoE+, 2 Gigabit M12 Copper ports	Relative Humidity:	5~95%RH
LED Indication:	Power, Port Status, POE+	Certifications	
		Rail Traffic	EN 50155 EN 50121-3-2
		EMI:	FCC Part 15. CISPR(EN55022) class A
		EMS:	EN61000-4-2(ESD), Level 3 EN61000-4-3(RS), Level 3 EN61000-4-4(EFT), Level 3 EN61000-4-5(Surge), Level 3 EN61000-4-6(CS), Level 3 EN61000-4-8 EN 61000-4-11 CISPR 22 Radiated, Level 3 CISPR 22 Conducted, Level 3 ANSIC63.4, Level 3
		Shock	IEC 61373
		Freefall	IEC 60068-2-32
		Vibration	IEC 61373
		Warranty	
		Warranty Period:	3 Years

DIMENSION DRAWING



UNIT:MM

Ordering Information

HEST10M-8E-2G-VLW	Industrial Ethernet Managed Switch, 8 10/100BaseT(X) POE/POE+ M12 ports, 2 10/100/1000M BaseT(X) M12 ports , -40°C to 75°C operating temperature, 72~160VDC(Typical: 110VDC), IP67 protection
-------------------	---