

## General Specifications

### Motor Protection:

Auto Restart/Polarity Protection

### Insulation Resistance:

10M Ω or over with a DC500V Megger

### Dielectric Withstand Voltage: AC 700V 1s

### Allowable Ambient Temperature Range:

-10°C ~ +70°C (Operating)

-40°C ~ +70°C (Storage)

(non-condensing environment)

IP Code: IP69K

## Expected Life

25°C 100,000 Hours (L10)

## Material

Casing : Aluminum (Black)

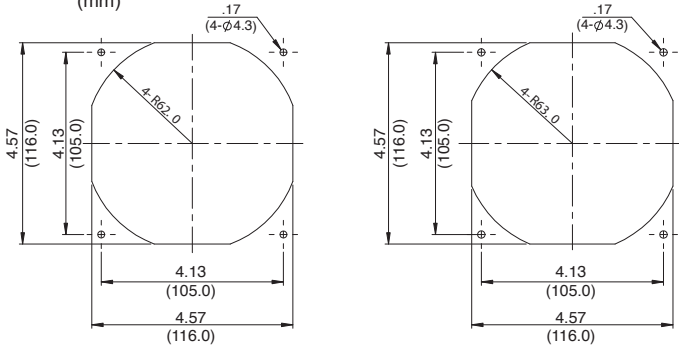
Impeller : Plastic (Black) UL94V-0

Bearing : Ball Bearing

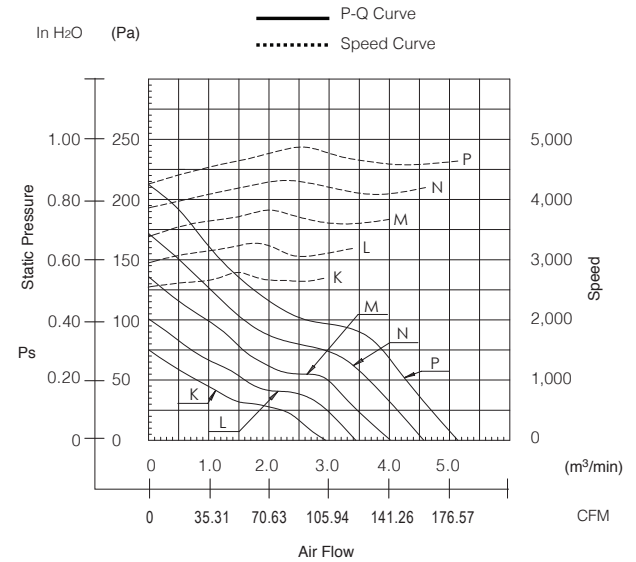
Lead Wire : UL1007, AWG24, +Red, -Black

## Panel Cut-Outs

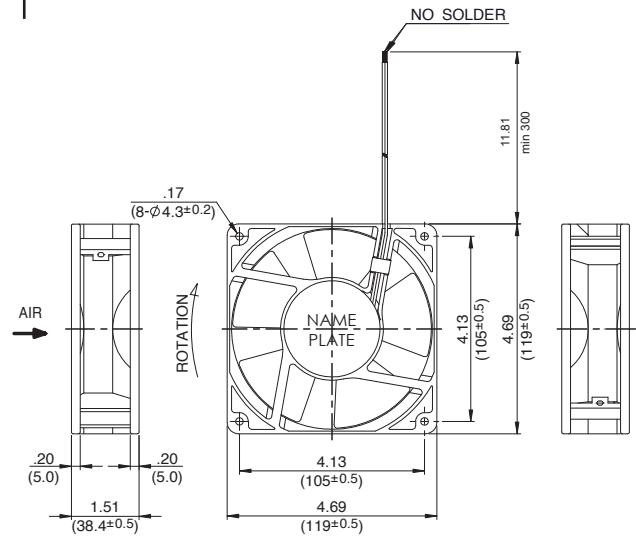
Units: inch (mm)



## Characteristic Curves



## Outline



## Specifications

MODEL	Rated Voltage	Operating Voltage	Current	Input Power	Speed	Max. Air Flow		Max. Static Pressure		Noise	Mass
	(V)	(V)	(A) <sup>*1</sup>	(W) <sup>*1</sup>	(min <sup>-1</sup> ) <sup>*1</sup>	CFM <sup>*1</sup>	(m <sup>3</sup> /min) <sup>*1</sup>	in H <sub>2</sub> O	(Pa) <sup>*1</sup>	(dB) <sup>*1</sup>	(g)
11938MA-12K-GA-00	12	8.0 ~ 13.8	0.48	5.76	2700	102.77	2.91	0.31	76.0	45.0	400
11938MA-12L-GA-00	12	8.0 ~ 13.8	0.66	7.92	3200	122.19	3.46	0.41	102.0	49.5	400
11938MA-12M-GA-00	12	8.0 ~ 13.8	1.00	12.00	3700	141.96	4.02	0.55	136.0	53.5	400
11938MA-12N-GA-00	12	8.0 ~ 13.2	1.46	17.50	4200	162.09	4.59	0.69	173.0	56.5	400
11938MA-12P-GA-00	12	8.0 ~ 12.9	1.92	23.00	4700	181.16	5.13	0.86	213.0	59.5	400

## Specifications

MODEL	Rated Voltage	Operating Voltage	Current	Input Power	Speed	Max. Air Flow		Max. Static Pressure		Noise	Mass
	(V)	(V)	(A) <sup>*1</sup>	(W) <sup>*1</sup>	(min <sup>-1</sup> ) <sup>*1</sup>	CFM <sup>*1</sup>	(m <sup>3</sup> /min) <sup>*1</sup>	in H <sub>2</sub> O	(Pa) <sup>*1</sup>	(dB) <sup>*1</sup>	(g)
11938MA-24K-GA-00	24	15.0 ~ 27.6	0.26	6.24	2700	102.77	2.91	0.31	76.0	45.0	400
11938MA-24L-GA-00	24	15.0 ~ 27.6	0.35	8.40	3200	122.19	3.46	0.41	102.0	49.5	400
11938MA-24M-GA-00	24	15.0 ~ 27.6	0.52	12.50	3700	141.96	4.02	0.55	136.0	53.5	400
11938MA-24N-GA-00	24	15.0 ~ 27.6	0.74	17.80	4200	162.09	4.59	0.69	173.0	56.5	400
11938MA-24P-GA-00	24	15.0 ~ 26.4	0.93	22.40	4700	181.16	5.13	0.86	213.0	59.5	400

Rotation: Clockwise

Airflow Outlet: Air Out Over Struts

\*1: Average Values in Free Air

Note: PWM/Locked Rotor/Tach Available