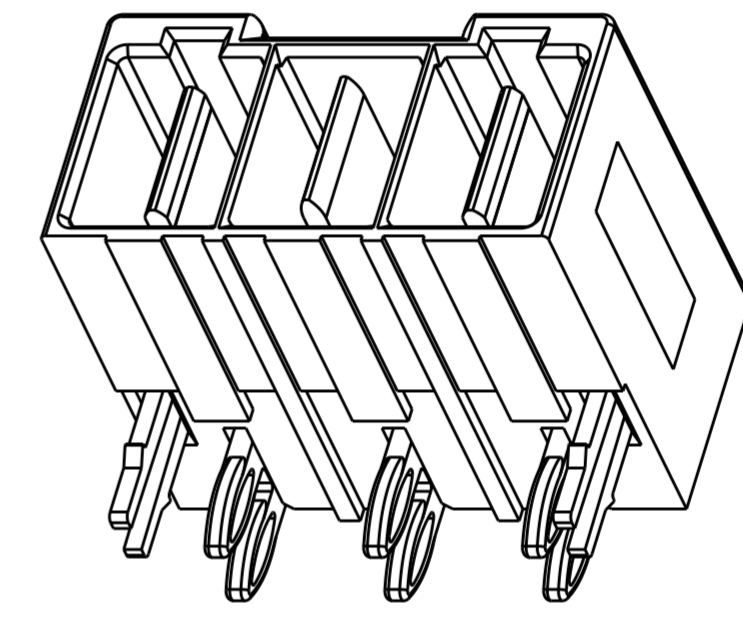
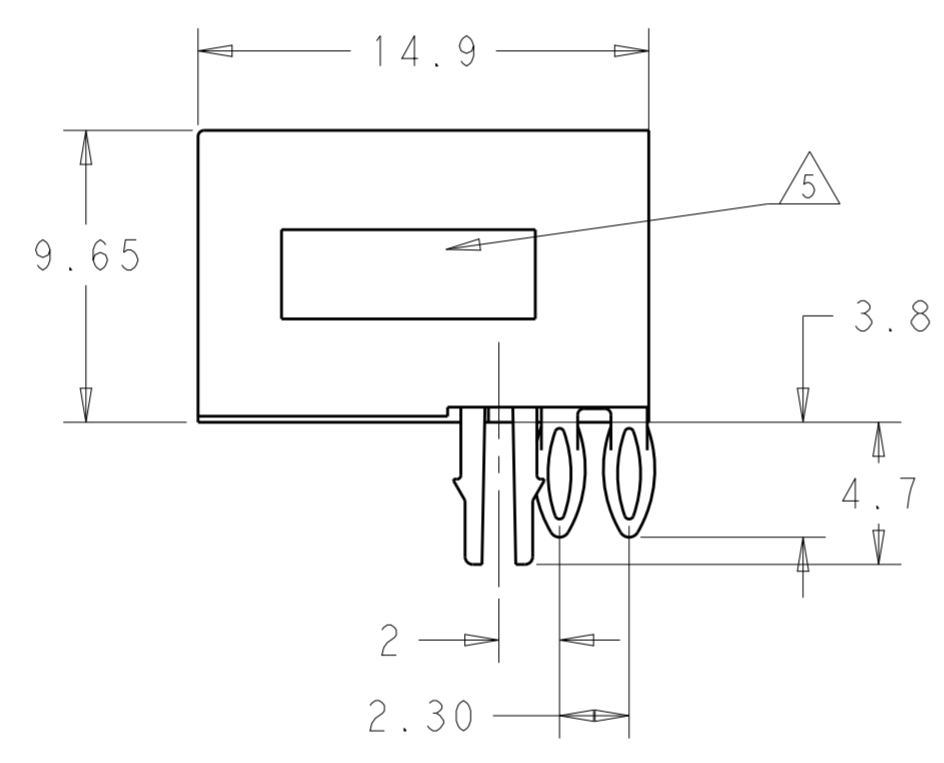
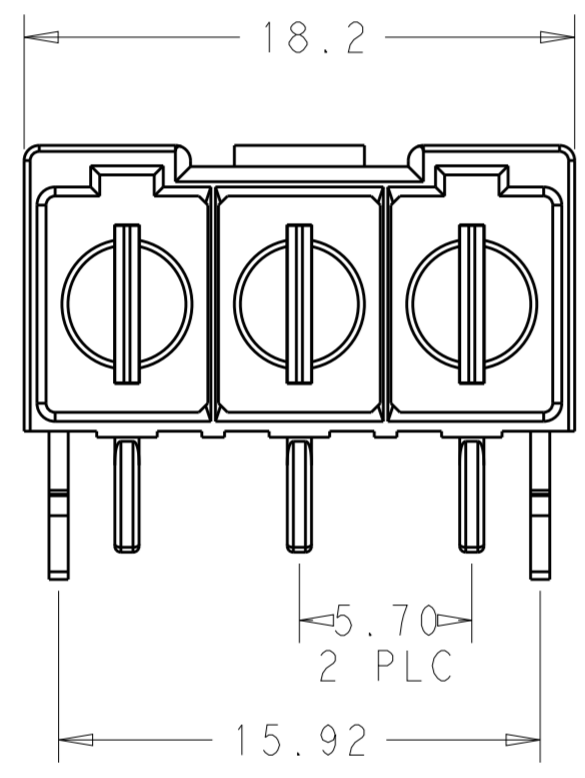
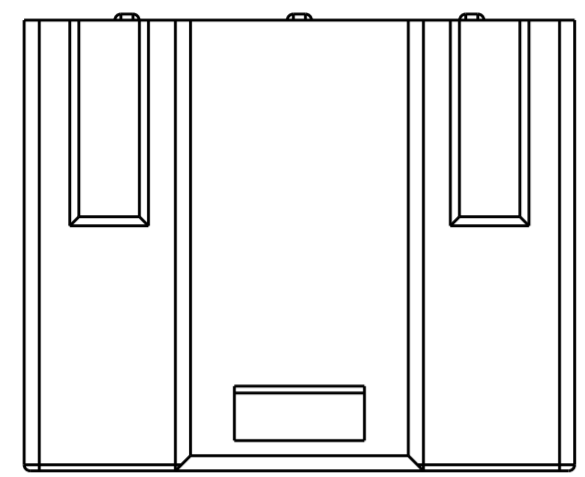


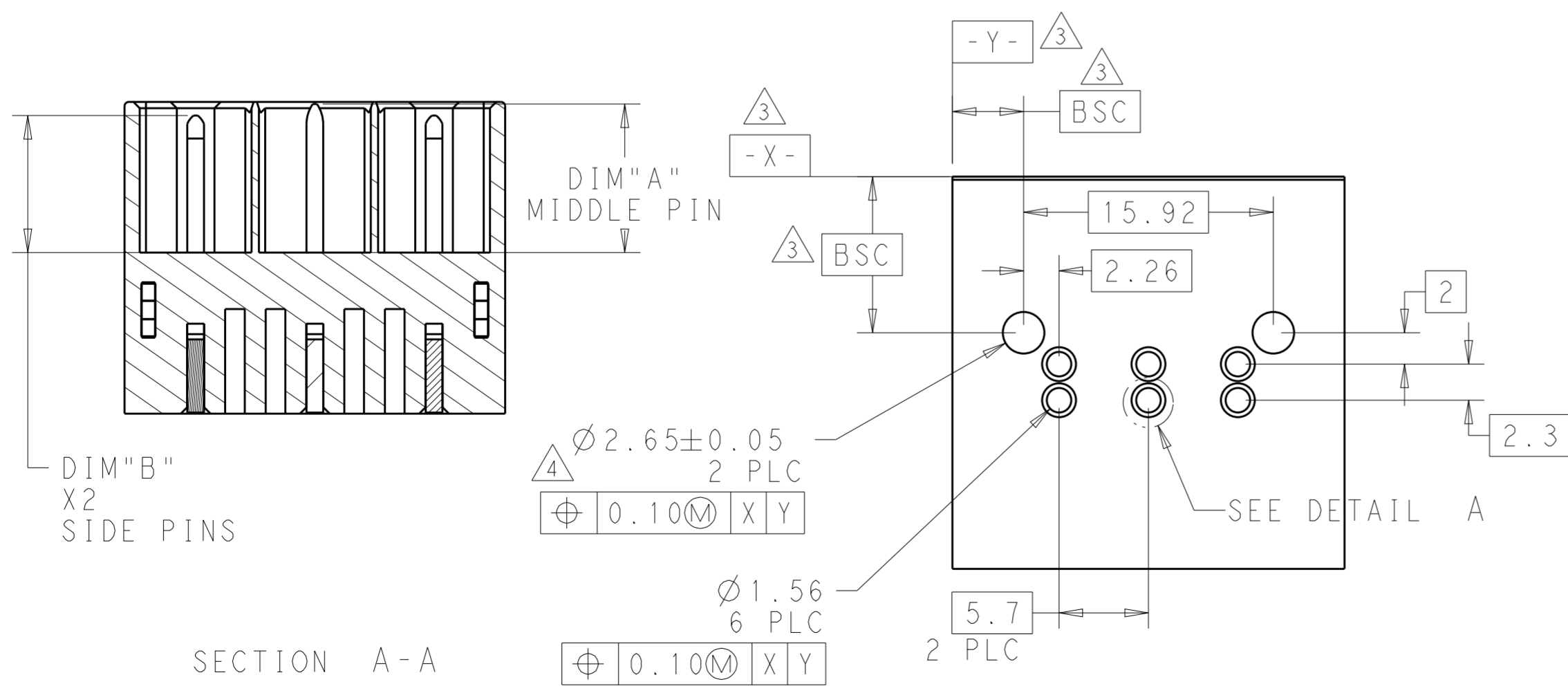
THIS DRAWING IS UNPUBLISHED. RELEASED FOR PUBLICATION
 © COPYRIGHT copyright.dBTe- ALL RIGHTS RESERVED.

| REVISIONS | | | | |
|-----------|-----|-----------------------|-----------|-------|
| P | LTR | DESCRIPTION | DATE | APVD |
| A | | REV PER ECR-16-006138 | 28APR2016 | OL SZ |
| A1 | | REV PER ECR-16-006568 | 05MAY2016 | OL SZ |
| B | | REV PER ECO-16-014059 | 04JAN2017 | WY SZ |

- 1 MATERIAL:
HOUSING: LCP BLACK, UL94V-0; CONTACT AND RETENTION CLIP: COPPER ALLOY
- 2 PLATING:
POWER CONTACT: SILVER AT CONTACT AREA OVER NICKEL PLATED ALL OVER
RETENTION CLIP: TIN PLATED OVER NICKEL PLATED
- 3 DATUM AND BASIC DIMENSIONS ESTABLISHED BY CUSTOMER
- 4 UNPLATED THROUGH HOLE; THE RECOMMENDED HOLE SIZE IS 2.75MM OR 2.65MM.
- 5 "TE", PART NUMBER AND DATECODE TO BE MARKED IN AREA SHOWN



2204581-2 IS SHOWN



Ø 1.56 ± 0.05
 FINISH HOLE SIZE
 DRILL HOLE SIZE : 1.72 ± 0.02
 COPPER PLATE: 0.025 MIN. PER SURFACE
 TIN PLATE: 0.008 MIN. PER SURFACE

DETAIL A
 SCALE 10:1

| | | | |
|---------|---------|-------------------------|-------------|
| 5.6 | 5.6 | NO | 2204581-2 |
| 6.55 | 7.1 | YES | 2204581-1 |
| DIM "B" | DIM "A" | PROBE PROOF (SIDE PINS) | PART NUMBER |

| | | | | |
|--|--|-----------------------------|--|--|
| THIS DRAWING IS A CONTROLLED DOCUMENT. | | DWN ORANDO LI 28APR2016 | TE Connectivity | |
| DIMENSIONS: mm | | CHK SUNY ZHAO 28APR2016 | | |
| TOLERANCES UNLESS OTHERWISE SPECIFIED: | | APVD SUNY ZHAO 28APR2016 | NAME ELCON Mini, 3-position header right-angle, press-fit type | |
| 0 PLC ±0.25 | | PRODUCT SPEC 108-128027 | SIZE A2 | |
| 1 PLC ±0.15 | | APPLICATION SPEC 114-128029 | CAGE CODE - | |
| 2 PLC ±0.1 | | WEIGHT - | DRAWING NO C-2204581 | |
| 3 PLC ± | | CUSTOMER DRAWING | RESTRICTED TO - | |
| 4 PLC ± | | SCALE 4:1 | SHEET 1 OF 1 | |
| ANGLES ± | | | REV B | |
| FINISH - | | | | |