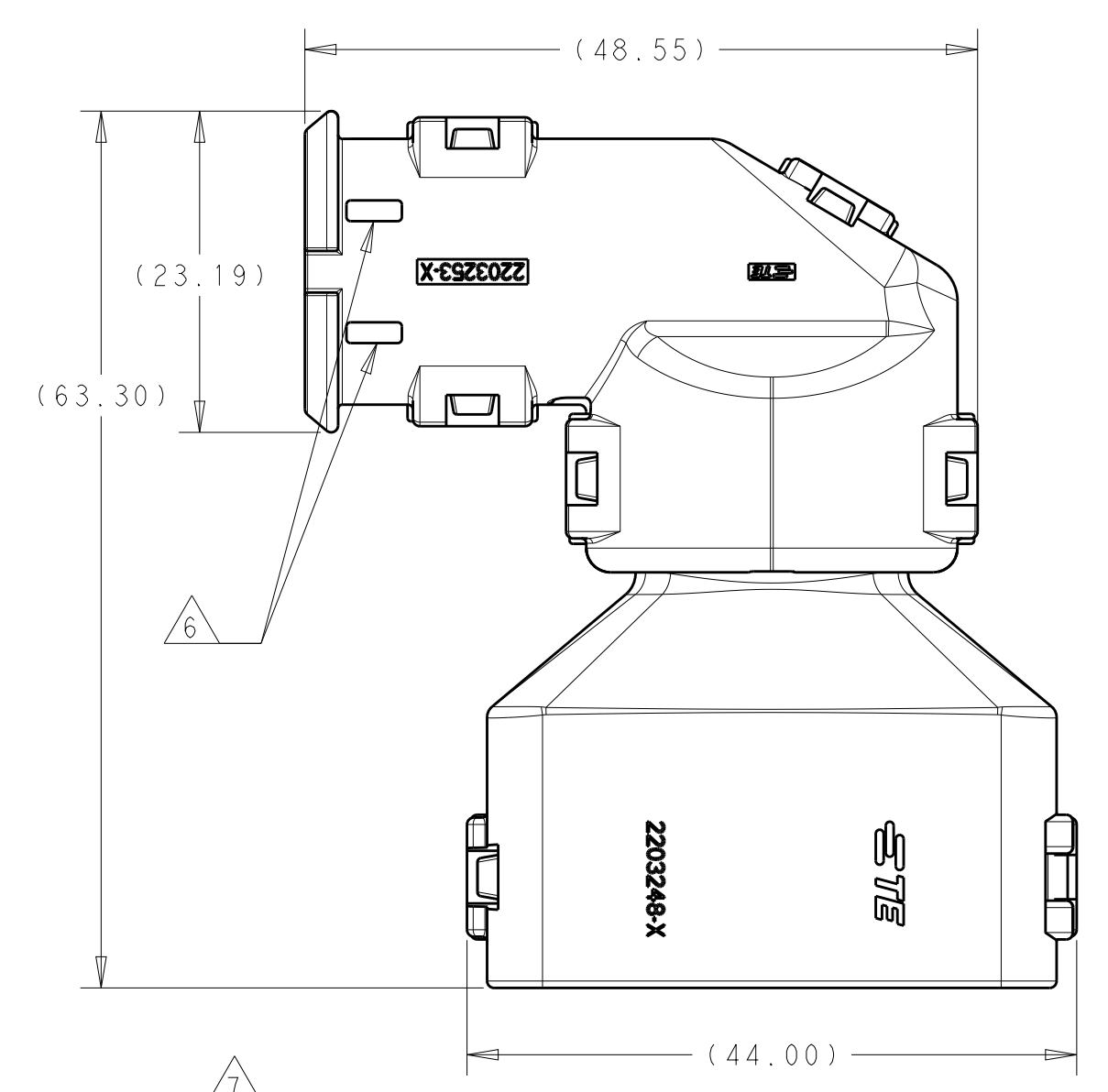
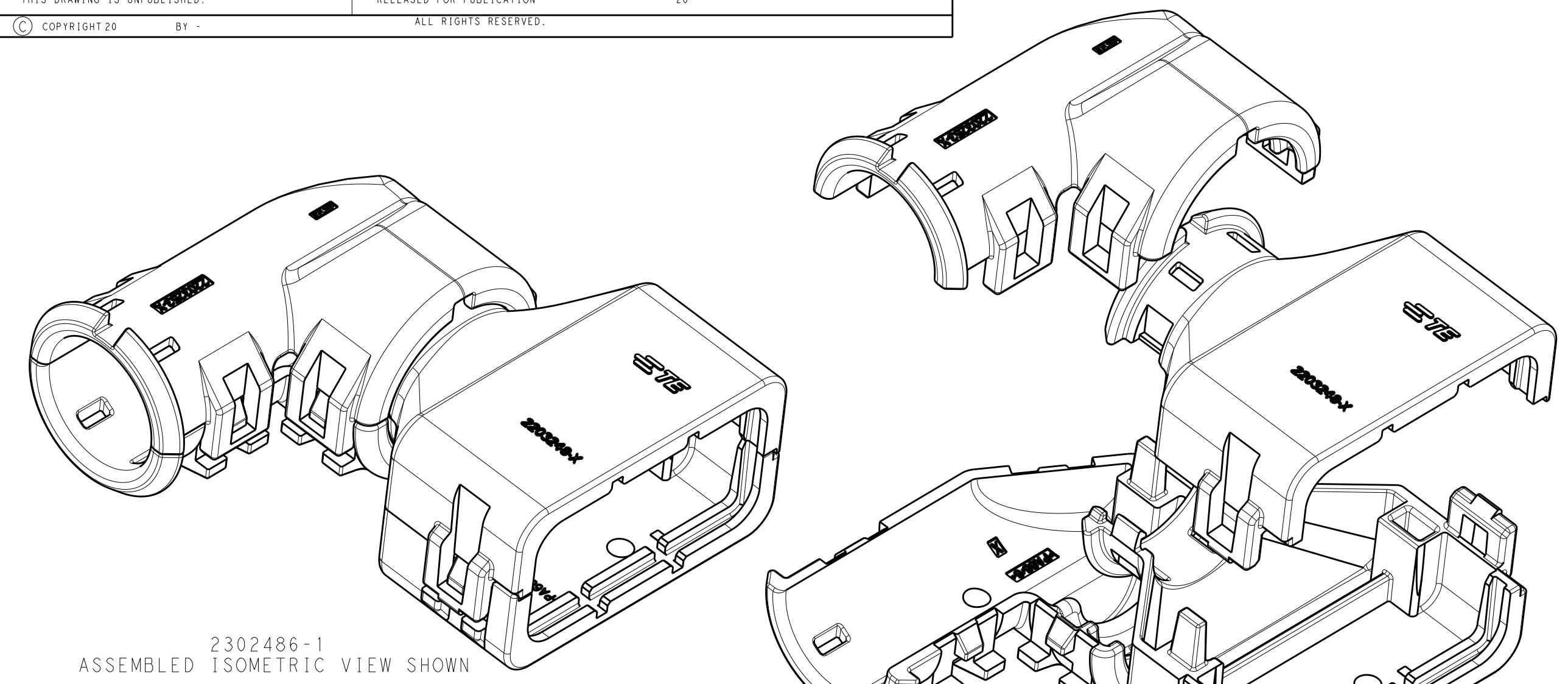
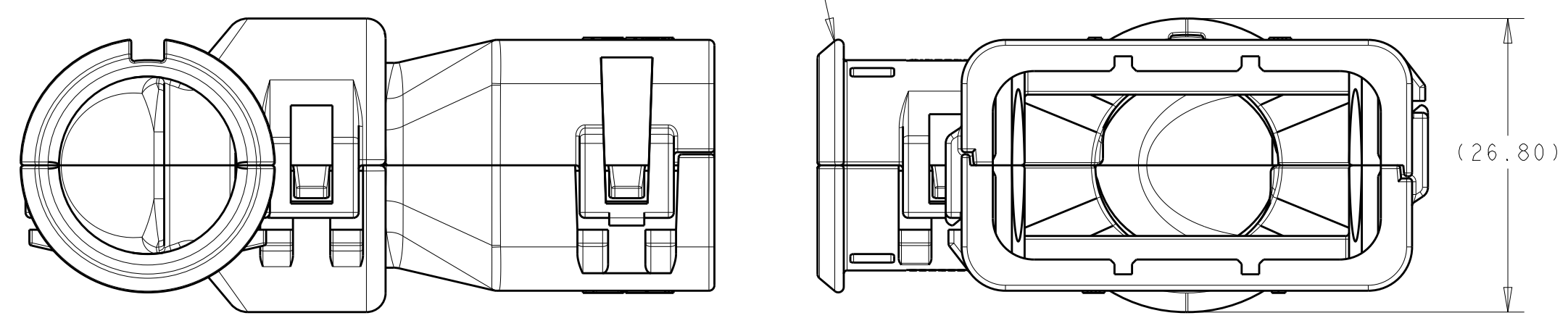


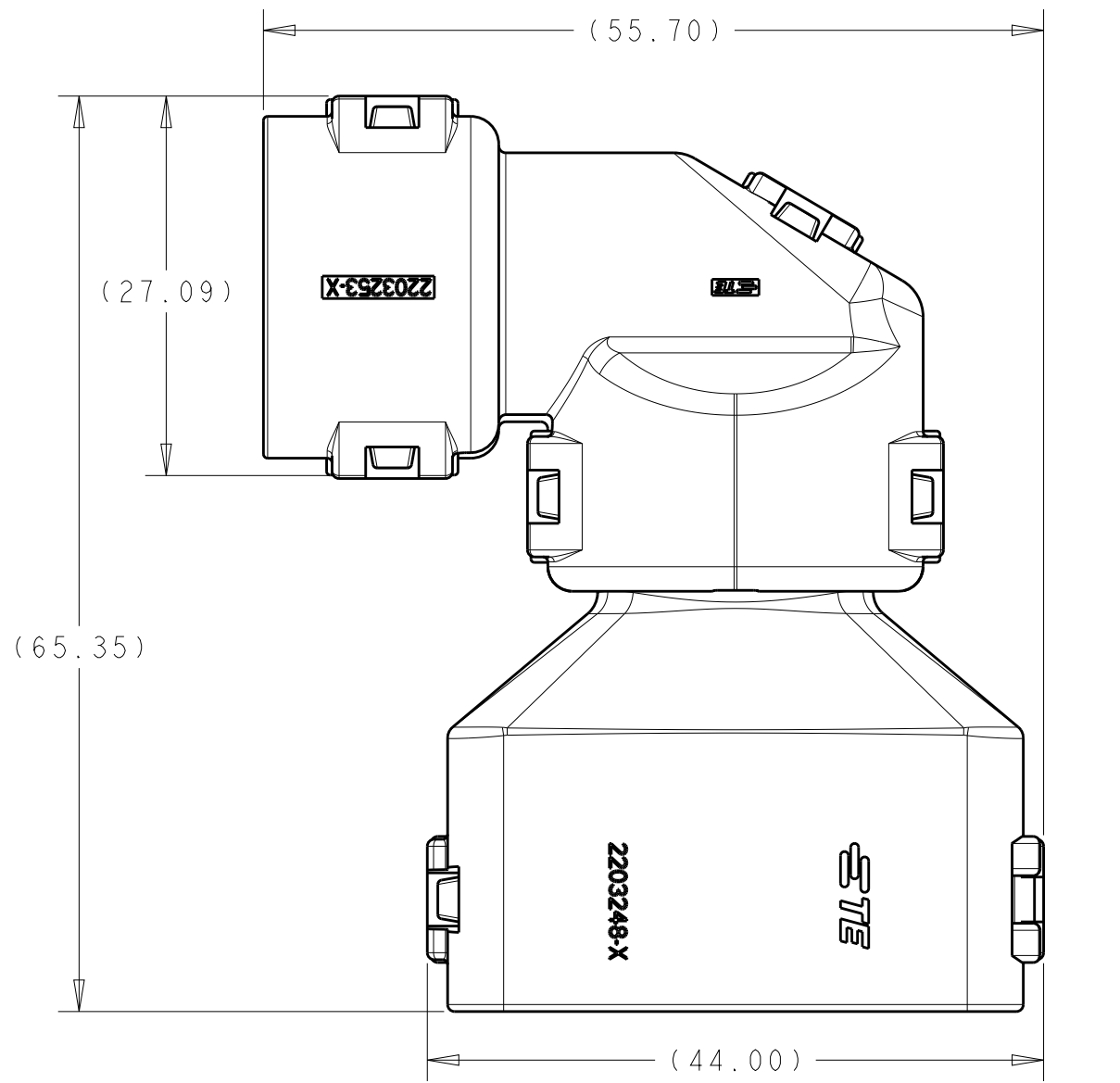
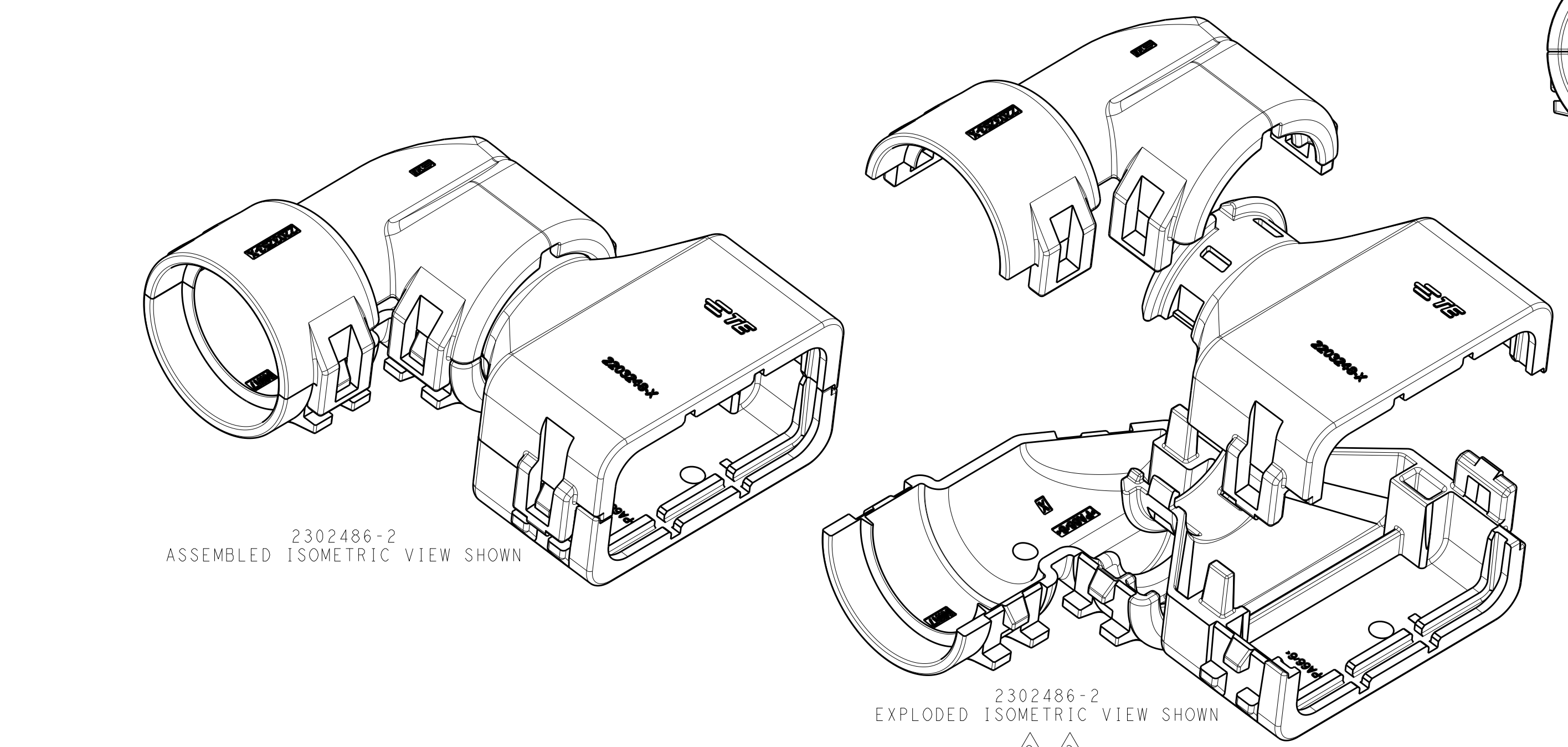
REVISIONS					
P.	LTN	DESCRIPTION	DATE	DMN	APVD
A		RELEASED PER ECO-16-008203	01JUN2016	JM	RB
A2		REV PER ECO-16-013256	08SEP2016	JM	RB



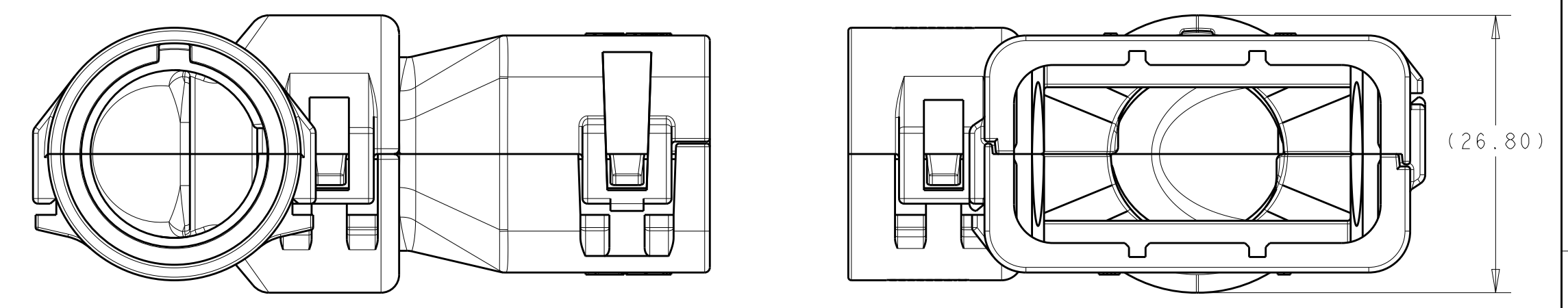
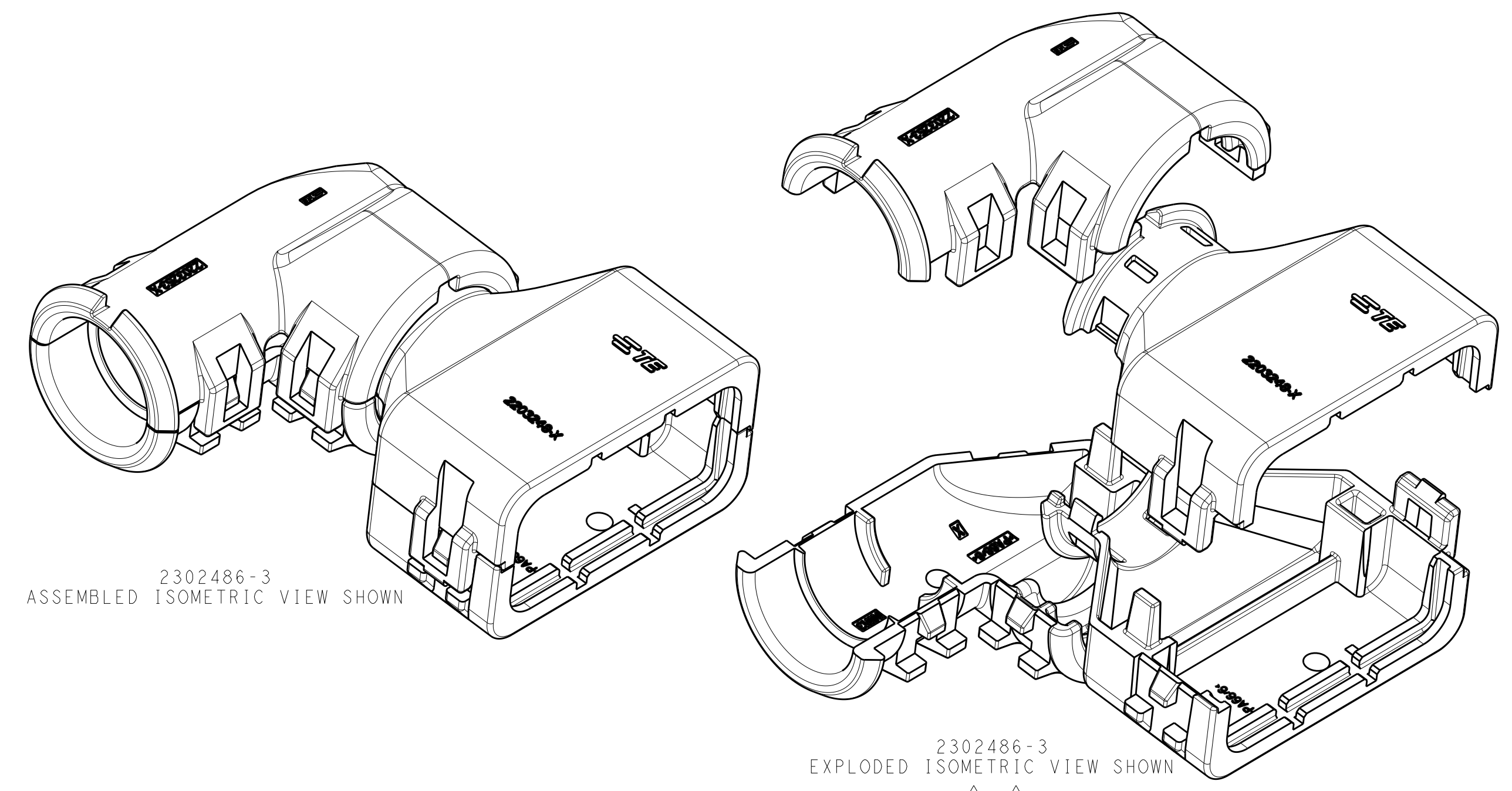
- 1 MATERIAL: NYLON MOLDING COMPOUND, BLACK, PA66/6.
- 2 BACKSHELL DESIGNED SUCH THAT TWO HALVES ATTACH TO ONE ANOTHER AND CLAMP AROUND THE CONNECTOR COVER.
- 3 ELBOW DESIGNED SUCH THAT TWO HALVES ATTACH TO ONE ANOTHER AND CLAMP AROUND THE BACKSHELL COLLAR.
- 4 DIMENSIONS TO BE MEASURED WHEN ELBOWS AND BACKSHELLS ASSEMBLED.
- 5 PRODUCT WEIGHTS:
2302486-1: 15.40g ASSEMBLED
2302486-2: 15.85g ASSEMBLED
2302486-3: 15.60g ASSEMBLED
- 6 4MM WIDE SLOTS FOR TIE WRAP TO SECURE HARNESS WIRES (-1 ONLY).
- 7 HEAT SHRINK TUBING FEATURE (-1 AND -3 ONLY).
- 8. INSTRUCTION SHEET: 408-151043.
- 9. CONDUIT PROFILE: NORMAL ONLY.



2302486-1
ASSEMBLED VIEW SHOWN
DIMENSIONS SHOWN TYPICAL FOR 2302486-1 AND -3



2302486-2
ASSEMBLED VIEW SHOWN
DIMENSIONS SHOWN FOR 2302486-2 ONLY



FITS ON CAP ASSY	CORREGATE NC	CORREGATE NW	PART NUMBER
NC16	NW13	2302486-3	
776438-X	NC20	NW17	2302486-2
776539-X	SMOOTH	SMOOTH	2302486-1

THIS DRAWING IS A CONTROLLED DOCUMENT.

DMN: J. MCNEAL 26APR2016	NAME: BACKSHELL AND ELBOW KIT, 12 POSN CAP ASSY, AMPSEAL 16
CHK: R. BALTER 26APR2016	SIZE: CAGE CODE DRAWING NO
APVD: R. BALTER 26APR2016	RESTRICTED TO
PRODUCT SPEC: 108-151043	A1 00779 C=2302486
APPLICATION SPEC:	SCALE: 2:1 SHEET 1 OF 1 REV A2
WEIGHT: 15.40g	CUSTOMER DRAWING