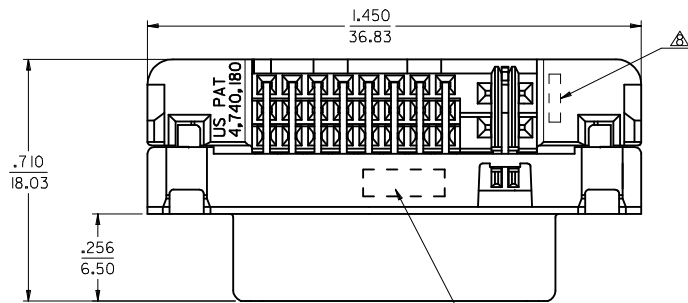
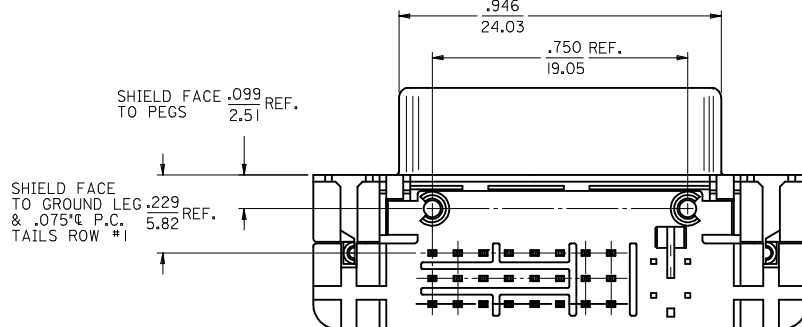
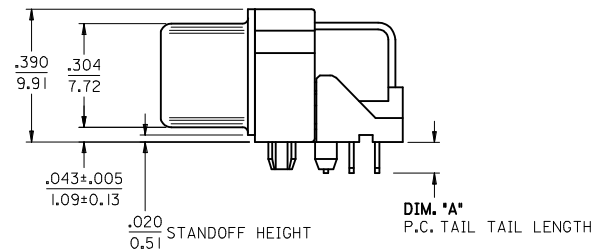
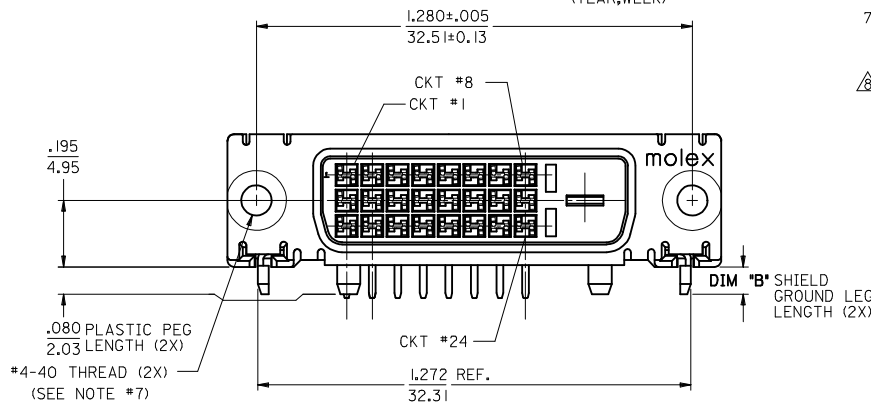


10 9 8 7 6 5 4 3 2 1



- NOTES:
- MATERIAL:
 - SHIELD: DEEP DRAW STEEL;
 - HOUSING: LCP, UL94V-0, NATURAL (WHITE);
 - TAIL ALIGNER: LCP, UL94V-0, NATURAL (WHITE);
 - CONTACT: COPPER ALLOY.
 - PLATING: SEE SHEET 2.
 - PRODUCT CONFORMS TO MOLEX PRODUCT SPECIFICATION NUMBER PS-74320-001. REFER TO THIS SPECIFICATION FOR SPACING ON A P.C.B. OF TWO OR MORE CONNECTORS WHEN USING A CABLE OR AN ADAPTER ASSEMBLY.
 - SEE SHEET 2 FOR RECOMMENDED PANEL CUT-OUT AND P.C.B. LAYOUT.
 - PARTS WILL BE PACKAGED IN TRAYS PER PK-74320-010.
 - PRODUCT CONFORMS TO DDWG DVI SPECIFICATION. REFER TO THIS SPECIFICATION FOR CONNECTOR MATING DIMENSIONS.
 - RECOMMENDED MOUNTING HARDWARE IS MOLEX P/N 71781-0001 OR 82007-0300 OR 88780-6066. REFER TO PRODUCT SPECIFICATION NUMBER PS-74320-001 FOR THIS APPLICATION TORQUE REQUIREMENT FOR ASSMBLING MOUNTING HARDWARE.
- ⚠ CAVITY ID AND MANUFACTURING PLANT CODE.



PART NUMBER	PLATING OPTION	DIM A	DIM B
74320-4000	1	0.092/2.34	0.080±0.020
74320-4001	1	0.050/1.27	2.03±0.51
74320-4003	1	0.123/3.12	0.110/2.79
74320-4004	2	0.092/2.34	0.080±0.020
74320-4005	2	0.050/1.27	2.03±0.51
74320-4016	2	0.110/2.79	0.110/2.79
74320-4007	2	0.123/3.12	0.110/2.79

REVISED
 EC NO: SH2015-0200
 DRWN: XQZHANG
 CHKD: XQZHANG
 APPR: AYIN

DATE: 2014/12/10
 DATE: 2014/12/10
 DATE: 2015/02/09

QUALITY SYMBOLS
 $F_A = 0$
 $F_C = 0$
 $F_P = 0$

GENERAL TOLERANCES (UNLESS SPECIFIED)

	mm	INCH
4 PLACES	± ---	± ---
3 PLACES	± ---	± 0.010
2 PLACES	± 0.25	± 0.010
1 PLACE	± 0.25	± 0.010
0 PLACE	± ---	± ---

ANGULAR ±0.5°
 DRAFT WHERE APPLICABLE MUST REMAIN WITHIN DIMENSIONS

DIMENSION STYLE
 IN/MM

DRAWN BY: XQZHANG
 DATE: 2014/12/10

CHECKED BY: XQZHANG
 DATE: 2014/12/10

APPROVED BY: AYIN
 DATE: 2015/02/09

MATERIAL NO.
 SEE TABLE

SIZE: A3

SCALE: 1:1
 DESIGN UNITS: INCH
 THIRD ANGLE PROJECTION

TITLE: DVI - DIGITAL RIGHT ANGLE RECEPTACLE CONNECTOR

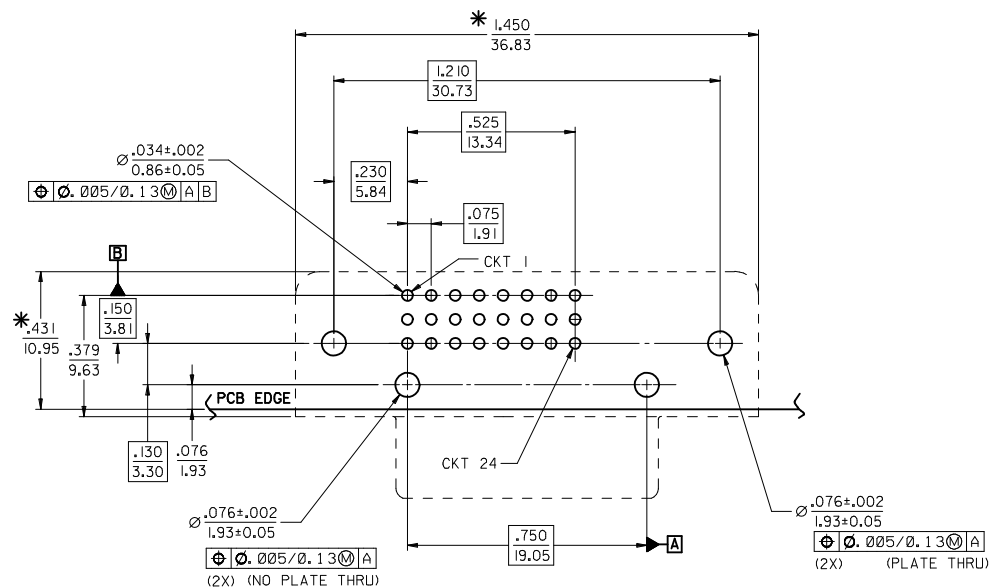
molex

DOCUMENT NO.: SD-74320-003
 SHEET NO.: 1 OF 2

THIS DRAWING CONTAINS INFORMATION THAT IS PROPRIETARY TO MOLEX INCORPORATED AND SHOULD NOT BE USED WITHOUT WRITTEN PERMISSION

9 8 7 6 5 4 3 2 1

10 9 8 7 6 5 4 3 2 1



RECOMMENDED PCB LAYOUT

*THESE DIMENSIONS REPRESENT CONNECTOR OVERLAY ON PCB.

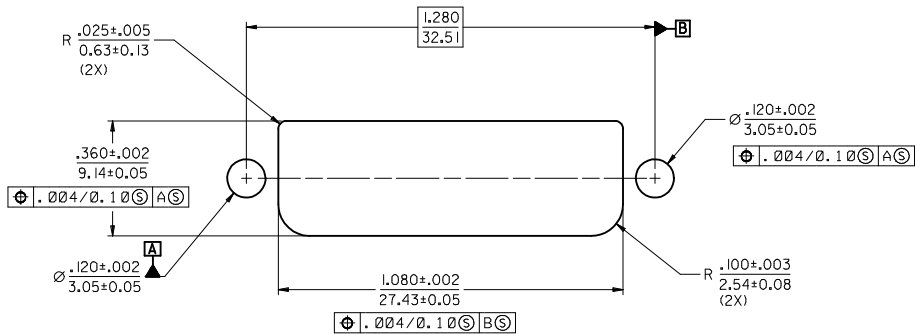
PLATING OPTIONS:

PLATING OPTION #1:

OUTER SHIELD -- 150u"/(3.75um) MIN. BRIGHT TIN OVER
 50u"/(1.27um) MIN. NICKEL OVER COPPER FLASH.
 .075"/(1.91mm) CONTACTS -- 30u"/(0.75um) MIN. SELECT GOLD AND
 100u"/(2.50um) MIN. SELECT PURE TIN
 OVER 50u"/(1.27um) MIN. NICKEL OVERALL.

PLATING OPTION #2:

OUTER SHIELD -- 150u"/(3.75um) MIN. BRIGHT TIN OVER
 50u"/(1.27um) MIN. NICKEL OVER COPPER FLASH.
 .075"/(1.91mm) CONTACTS -- SELECT GOLD FLASH AND
 100u"/(2.50um) MIN. SELECT PURE TIN
 OVER 50u"/(1.27um) MIN. NICKEL OVERALL.



RECOMMENDED PANEL CUT-OUT
 PANEL THICKNESS: .030" - .040"

SEE SHEET 1
 IEC NO: SH2015-0200 2014/12/10
 DRWN:XQZHANG 2014/12/10
 CH'KD:XQZHANG 2014/12/10
 APPR:AYIN 2015/02/09

QUALITY SYMBOLS	DESCRIPTION
$F_A=0$	
$F_C=0$	
$F_P=0$	

GENERAL TOLERANCES (UNLESS SPECIFIED)	
	mm INCH
4 PLACES	± --- ± ---
3 PLACES	± --- ± 0.010
2 PLACES	± 0.25 ± 0.010
1 PLACE	± 0.25 ± 0.010
0 PLACE	± --- ± ---
ANGULAR ± 0.5°	
DRAFT WHERE APPLICABLE MUST REMAIN WITHIN DIMENSIONS	

DIMENSION STYLE		SCALE	DESIGN UNITS	THIRD ANGLE PROJECTION
IN/MM		1:1	INCH	
DRAWN BY	DATE	TITLE		
XQZHANG	2014/12/10	DVI - DIGITAL RIGHT ANGLE RECEPTACLE CONNECTOR		
CHECKED BY	DATE			
XQZHANG	2014/12/10	molex		
APPROVED BY	DATE			
AYIN	2015/02/09	MATERIAL NO.	DOCUMENT NO.	SHEET NO.
SEE SHEET 1			SD-74320-003	2 OF 2

THIS DRAWING CONTAINS INFORMATION THAT IS PROPRIETARY TO MOLEX INCORPORATED AND SHOULD NOT BE USED WITHOUT WRITTEN PERMISSION

9 8 7 6 5 4 3 2 1