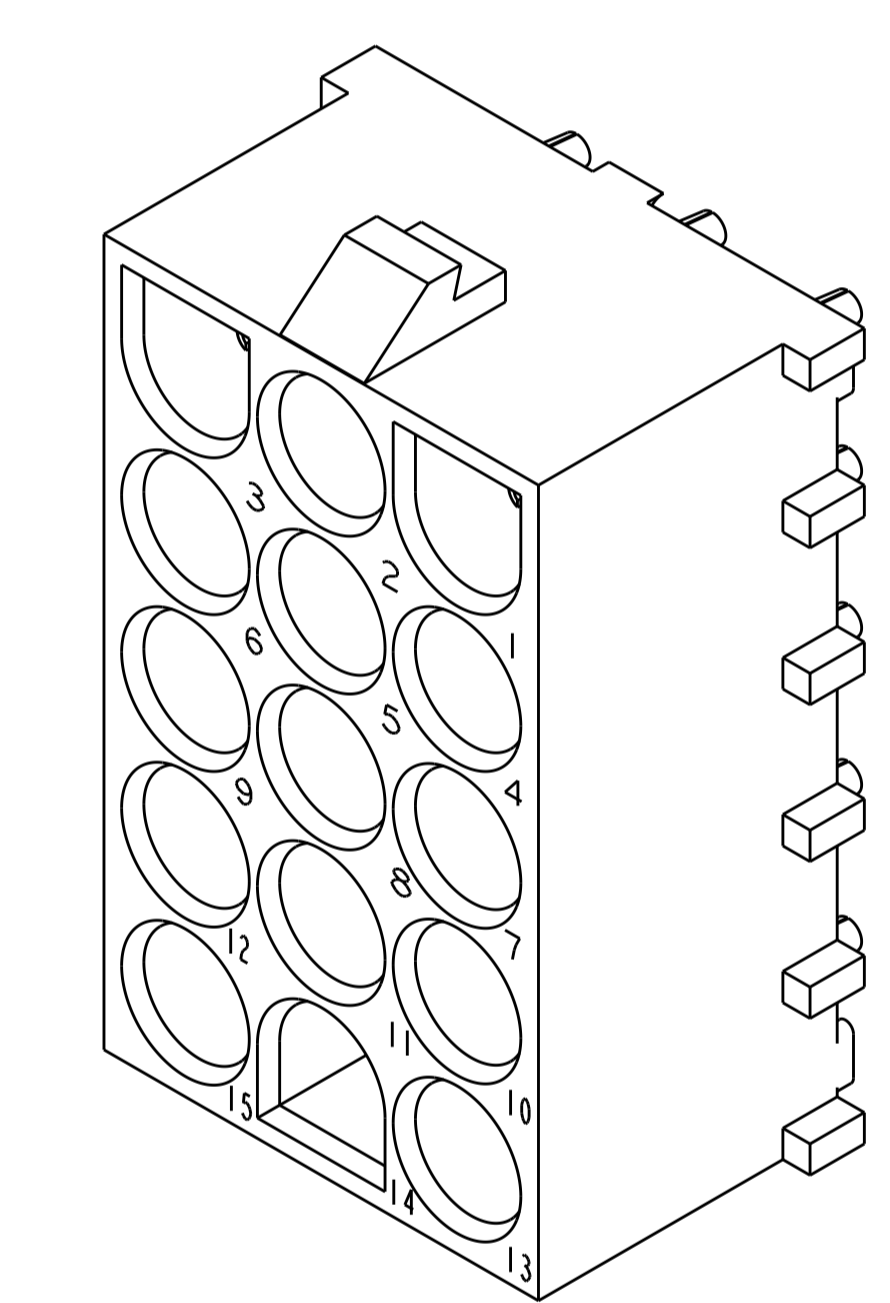
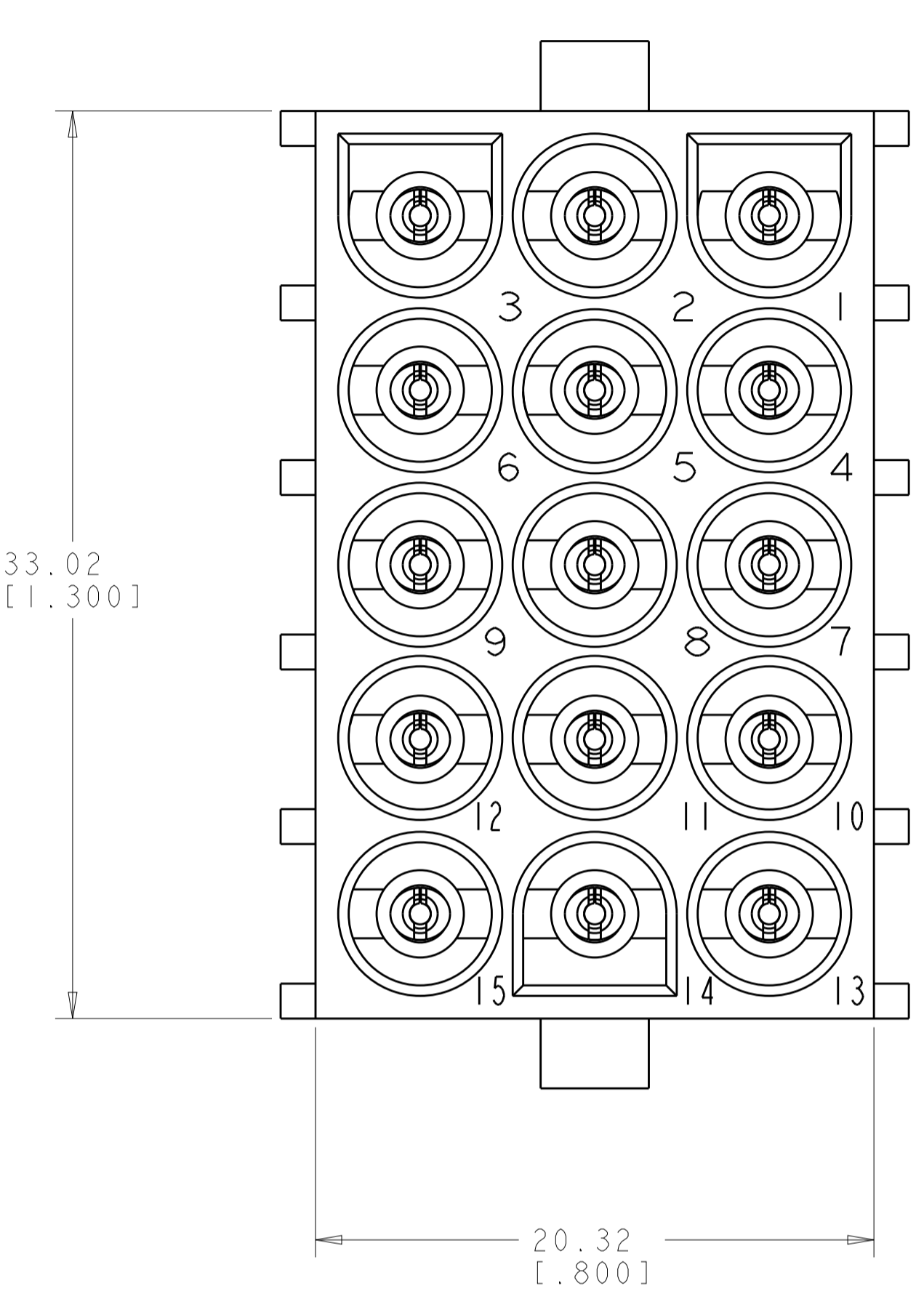
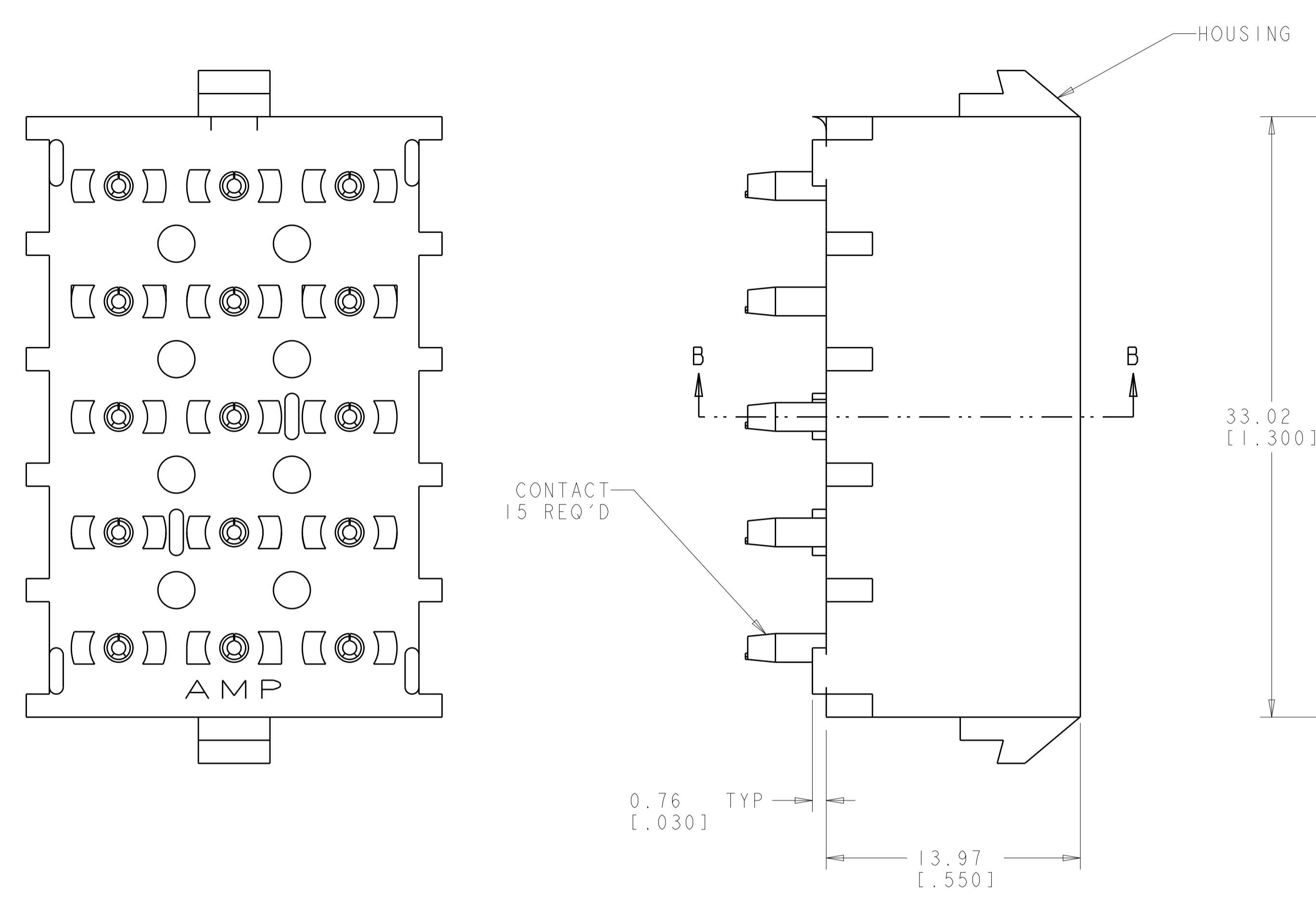
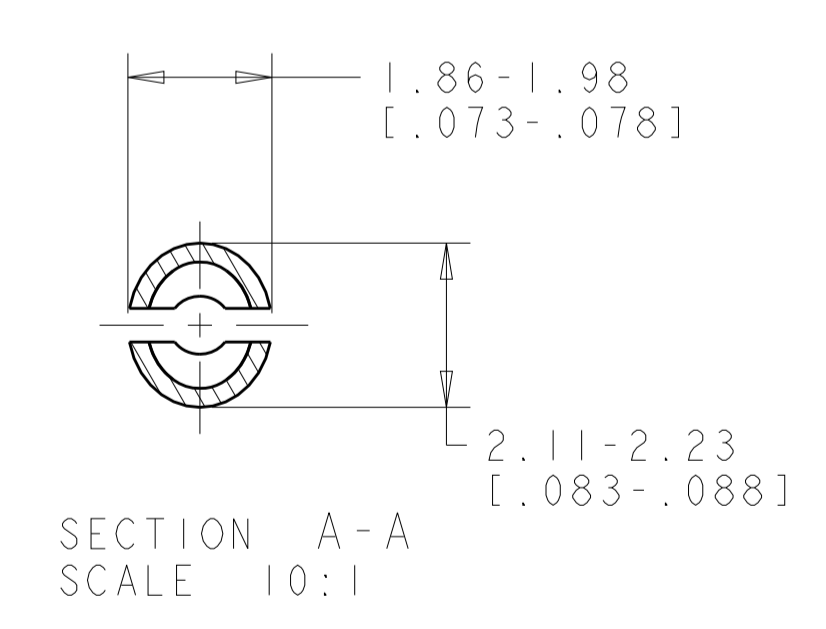
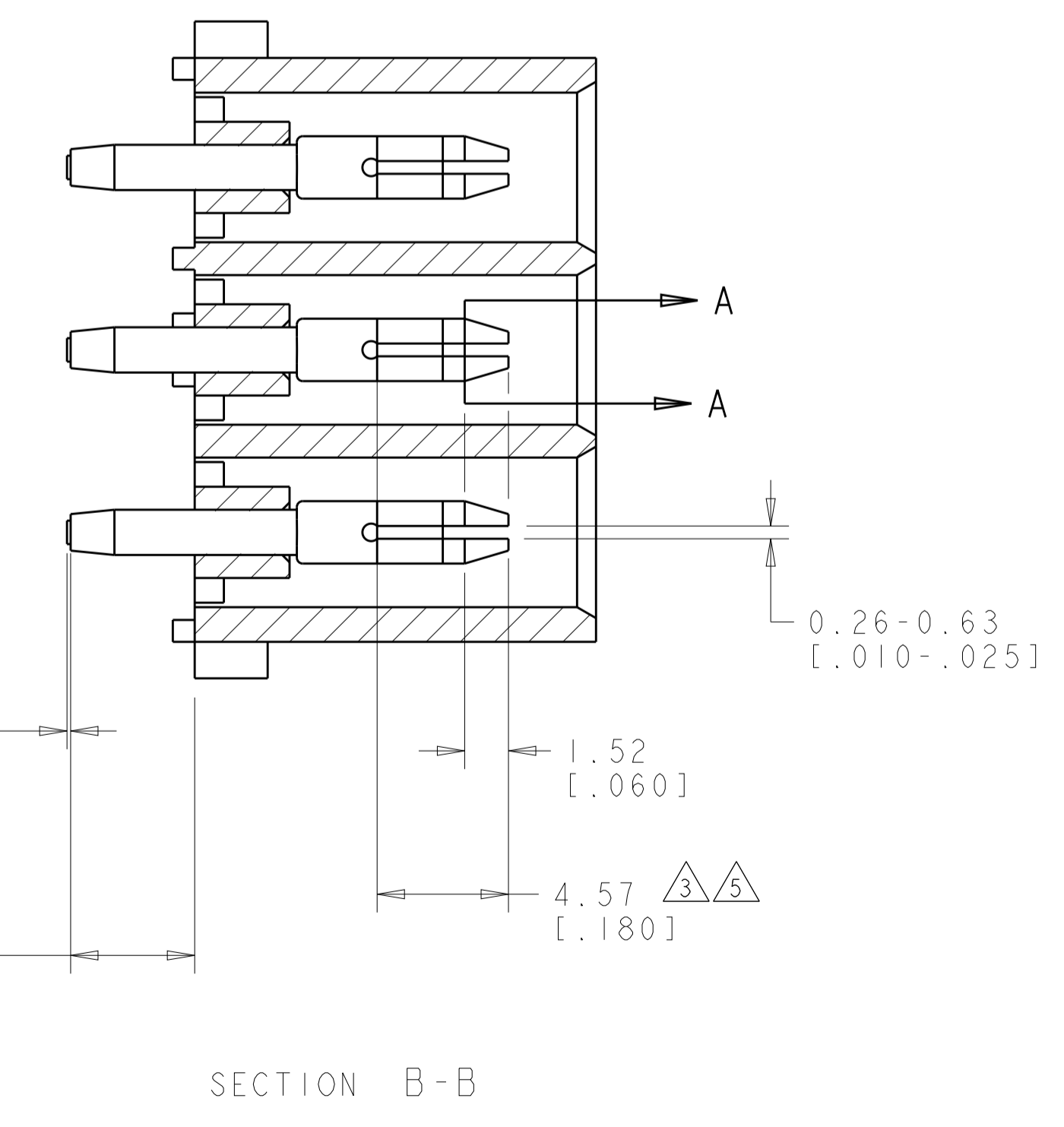
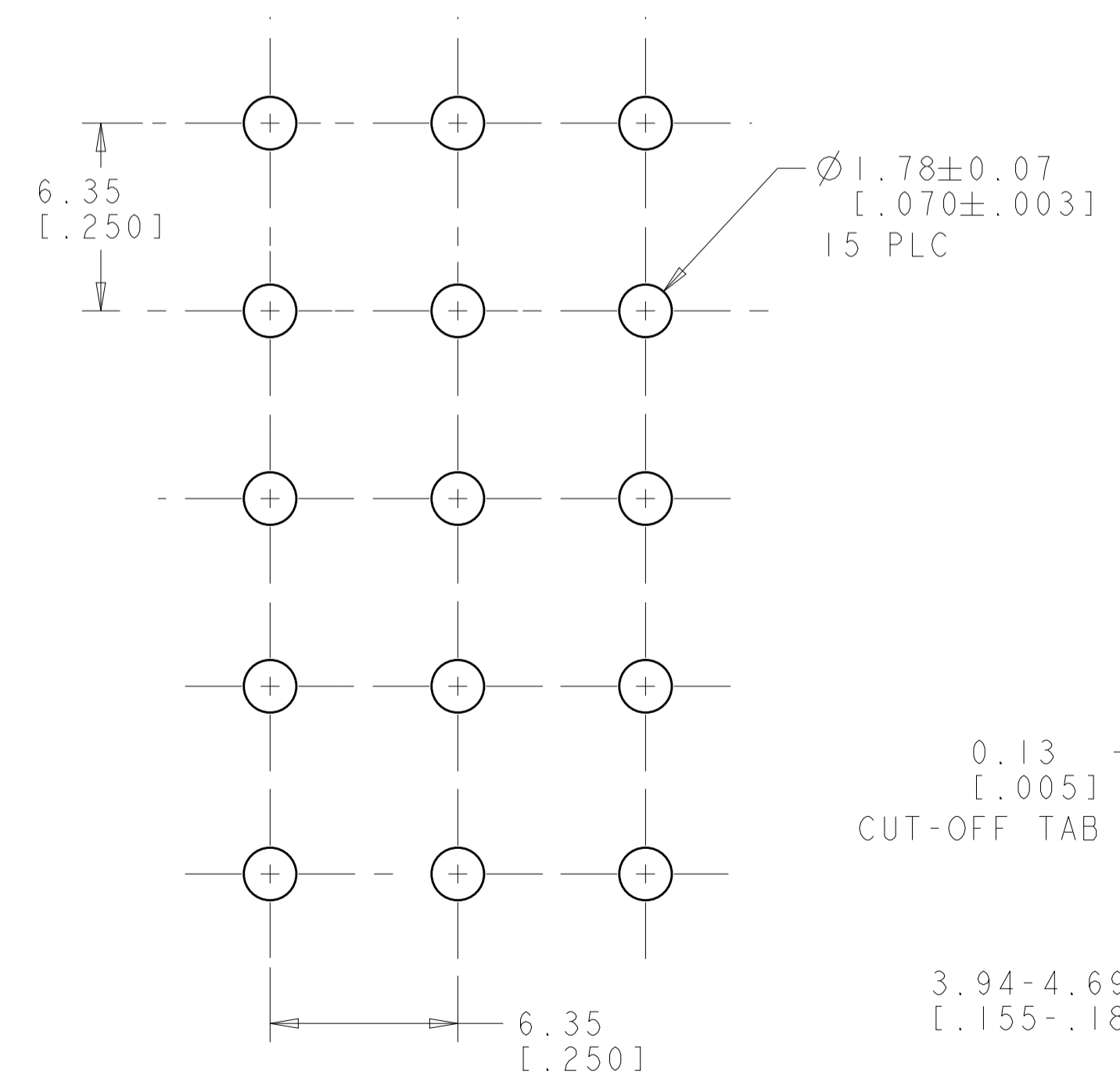


LOC	DIST	REV	DATE	BY	CHKD	APVD
CM	00	Y2	24JAN2013	KH	TM	

- MATES WITH HOUSING 480710.
- PARTS COMPLY TO AMP SOLDERABILITY SPECIFICATION 109-11-3.
- CONTACT IS PLATED OVERALL WITH 0.00127 [.000050] NICKEL, THEN 0.00076 [.000030] GOLD OVER CONTACT LENGTH INDICATED AND TIN LEAD ON SOLDER TAIL END.
- CIRCUIT IDENTIFICATION CHARACTERS ARE ADJACENT TO THE INDICATED CAVITIES, BUT LOCATION AND ORIENTATION MAY DIFFER FROM PRINT.
- CONTACT IS PLATED OVERALL WITH 0.00127 [.000050] NICKEL, THEN 0.00076 [.000030] GOLD OVER CONTACT LENGTH INDICATED AND MATTE TIN ON SOLDER TAIL END.
- DIMENSIONS IN BRACKETS ARE IN INCHES.
- SUPERSEDED BY 350434-4

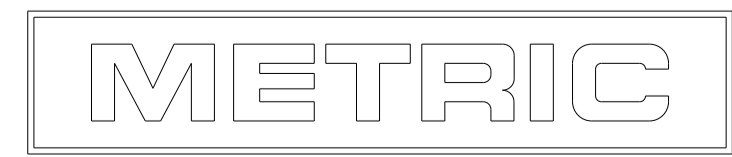


3 DIMENSIONAL MODEL
SCALE 4:1



PIN CONTACT MATERIAL AND FINISH	HOUSING MATERIAL AND COLOR	PART NUMBER
PHOSPOR BRONZE, GOLD	NYLON, UL94V-2, NATURAL	350434-4
PHOSPOR BRONZE, GOLD	NYLON, UL94V-2, NATURAL	350434-2
PHOSPOR BRONZE, PRE-TIN	NYLON, UL94V-2, NATURAL	350434-1

RECOMMENDED MOUNTING HOLE PATTERN FOR 1.57 [.062] THICK P.C. BOARD HOLE THAT CORRESPONDS TO REMOVED CONTACT CAN BE OMITTED



THIS DRAWING IS A CONTROLLED DOCUMENT.		DWN: K. WHITAKER 04MAY2005		TE Connectivity	
DIMENSIONS: mm [INCHES]		CHK: S. RIDGILL 04MAY2005		NAME: PIN HEADER ASSEMBLY, 15 CIRCUIT, UNIVERSAL MATE-N-LOK(TM)	
TOLERANCES UNLESS OTHERWISE SPECIFIED:		APVD: S. RIDGILL 04MAY2005		SIZE: A1	
0 PLC ± .013 [.005]		PRODUCT SPEC		CAGE CODE: 350434	
1 PLC ± .013 [.005]		APPLICATION SPEC		RESTRICTED TO	
2 PLC ± .013 [.005]		WEIGHT		SCALE: 1:1	
3 PLC ± .013 [.005]		FINISH: SEE TABLE		SHEET 1 OF 1	
4 PLC ± .013 [.005]		CUSTOMER DRAWING		REV: Y2	
ANGLES: SEE TABLE		SCALE: 1:1		SHEET 1 OF 1	