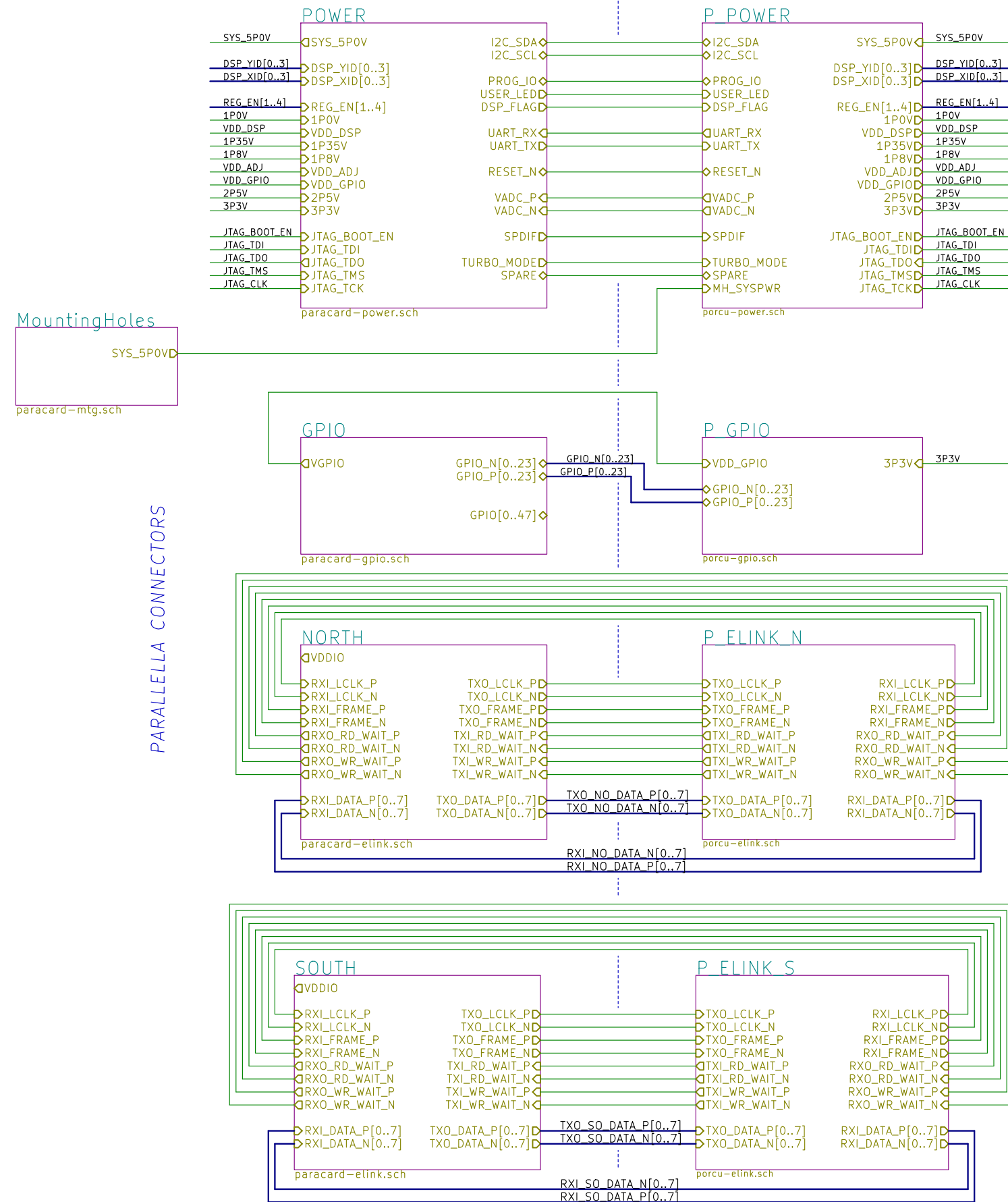
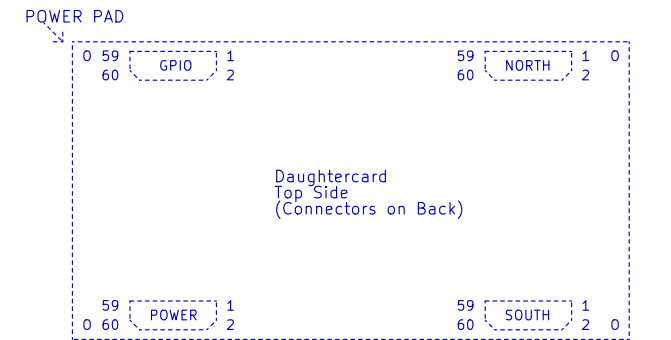
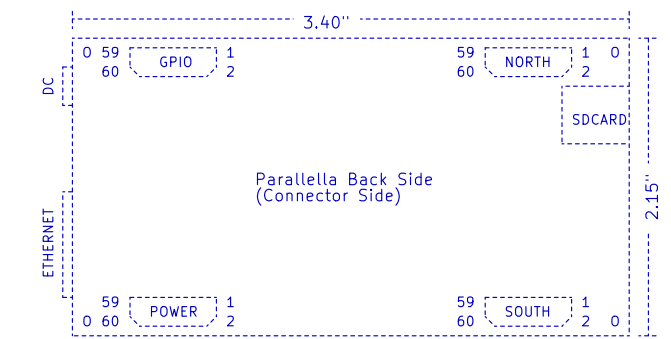


"Porcupine" Breakout Daughtercard for Adapteva Parallella-1.



PARALLELLA CONNECTORS

BREAKOUT CONNECTORS



This work is licensed under Creative Commons Attribution-Share Alike 3.0 Unprotected License. To view a copy of this license, visit <http://creativecommons.org/licenses/by-sa/3.0/> or send a letter to Creative Commons, 171 Second Street, Suite 300, San Francisco, California, 94105, USA.

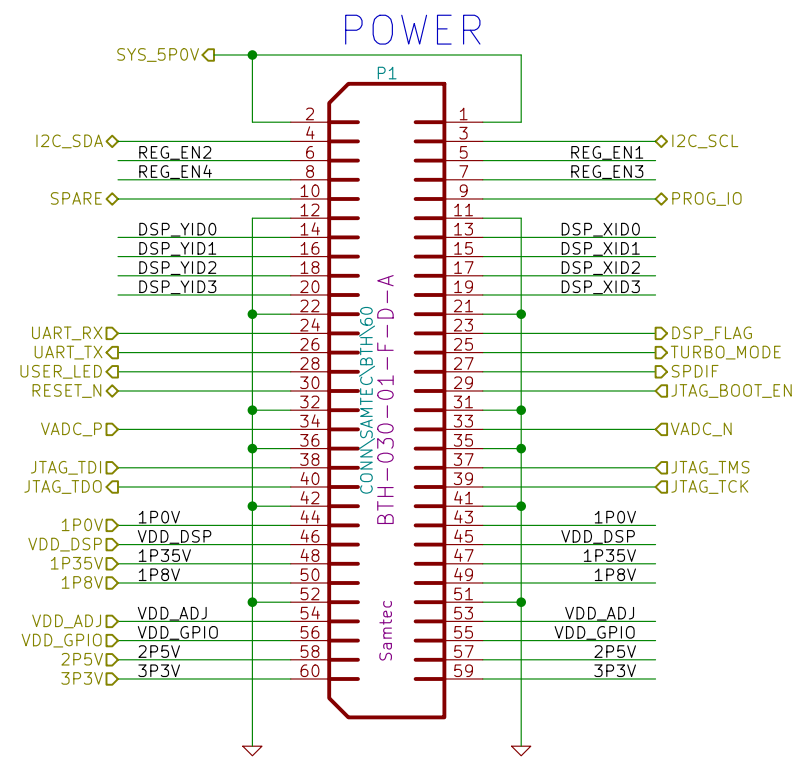
This schematic is *NOT SUPPORTED* and DOES NOT constitute a reference design. Only *community* support is allowed via resources at forums.parallella.org. THERE IS NO WARRANTY FOR THIS DESIGN, TO THE EXTENT PERMITTED BY APPLICABLE LAW. EXCEPT WHEN OTHERWISE STATED IN WRITING THE COPYRIGHT HOLDERS AND/OR OTHER PARTIES PROVIDE THE DESIGN *AS IS* WITHOUT WARRANTY OF ANY KIND, EITHER EXPRESSED OR IMPLIED, INCLUDING, BUT NOT LIMITED TO, THE IMPLIED WARRANTIES OF MERCHANTABILITY AND FITNESS FOR A PARTICULAR PURPOSE. THE ENTIRE RISK AS TO THE QUALITY OF PERFORMANCE OF THE DESIGN IS WITH YOU. SHOULD THE DESIGN PROVE DEFECTIVE, YOU ASSUME THE COST OF ALL NECESSARY SERVICING, REPAIR OR CORRECTION.



Porcupine Top Level
Adapteva, Inc., 1666 Massachusetts Ave., Lexington, MA, 02420
 Sheet: /
 File: porcupine.sch

Title: Parallella Breakout Daughtercard

Size: B	Date: 19 Jun 2014	Rev: *
KiCad E.D.A.	eeschema (2014-02-06 BZR 4665)-product	Id: 1/10

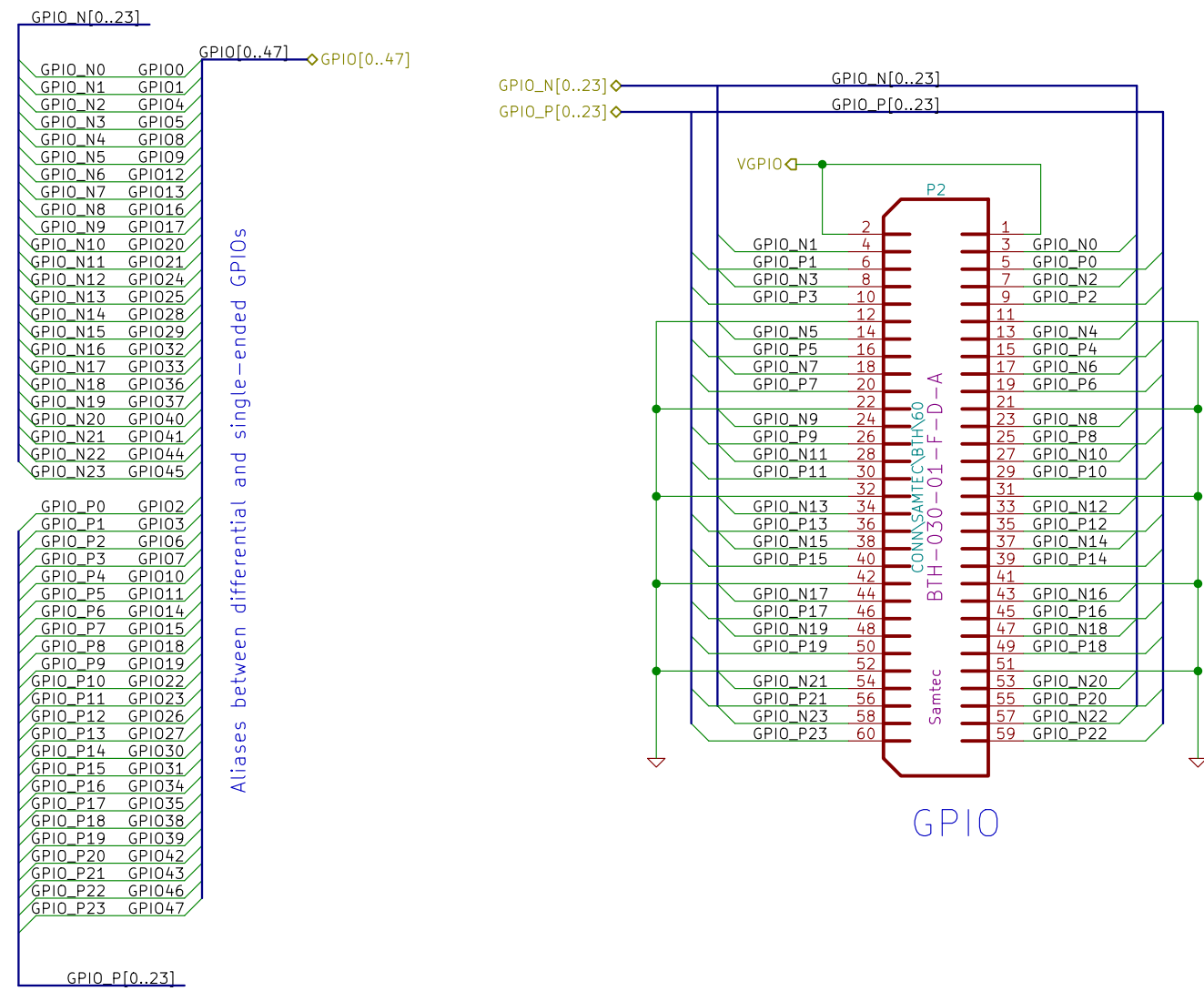


REG_EN[1..4] > REG_EN[1..4]
 DSP_YID[0..3] > DSP_YID[0..3]
 DSP_XID[0..3] > DSP_XID[0..3]



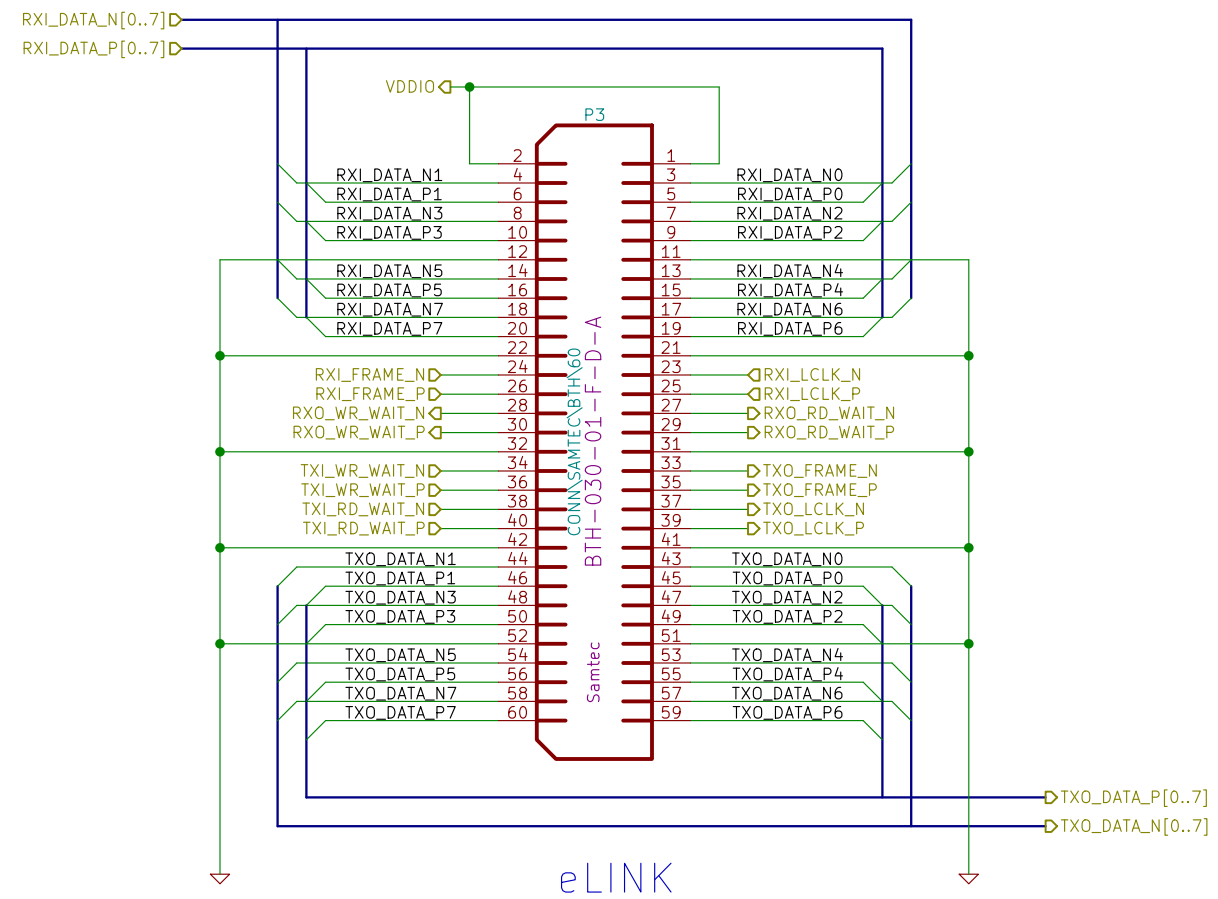
Parallella Power Connector
Adapteva, Inc., 1666 Massachusetts Ave., Lexington, MA, 02420
 Sheet: /POWER/
 File: paracard-power.sch

Title: Parallella Breakout Daughtercard		
Size: B	Date: 19 Jun 2014	Rev: *
KiCad E.D.A. eeschema (2014-02-06 BZR 4665)-product		Id: 2/10



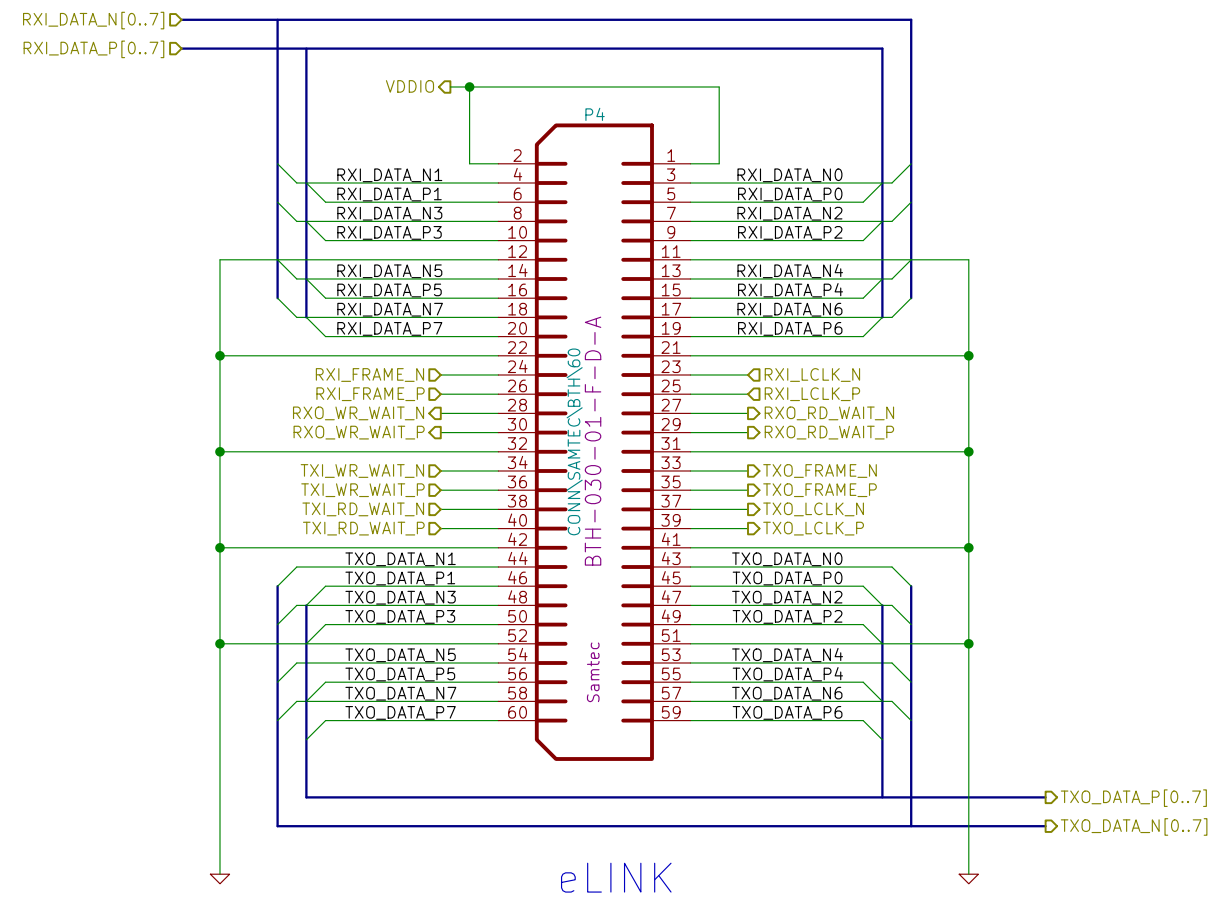
Aliases between differential and single-ended GPIOs





Parallella eLink Connector
Adapteva, Inc., 1666 Massachusetts Ave., Lexington, MA, 02420
 Sheet: /NORTH/
 File: paracard-elink.sch

Title: Parallella Breakout Daughtercard		
Size: B	Date: 19 Jun 2014	Rev: *
KiCad E.D.A. eeschema (2014-02-06 BZR 4665)-product		Id: 4/10



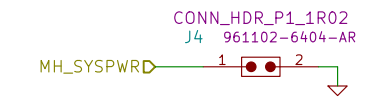
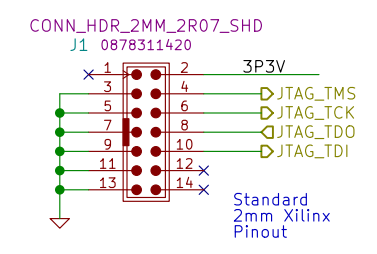
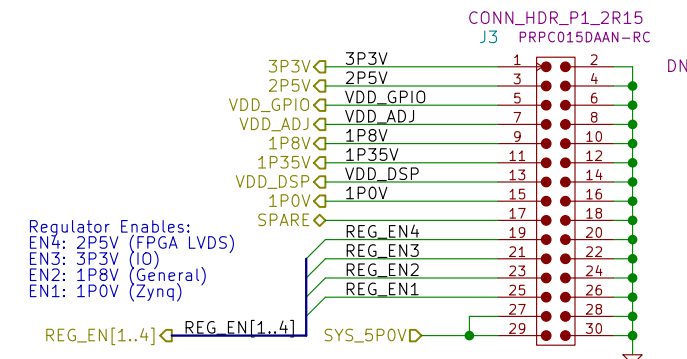
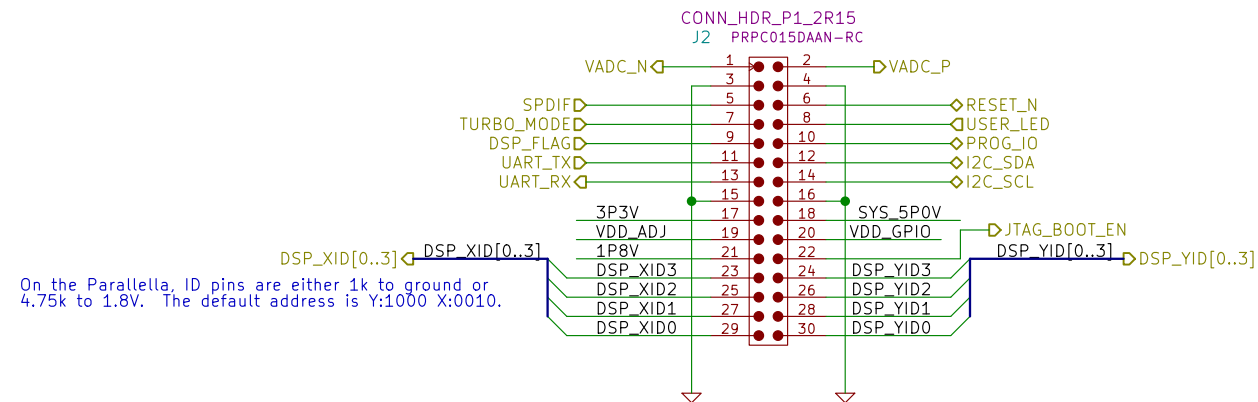
Parallella eLink Connector
Adapteva, Inc., 1666 Massachusetts Ave., Lexington, MA, 02420
 Sheet: /SOUTH/
 File: paracard-elink.sch

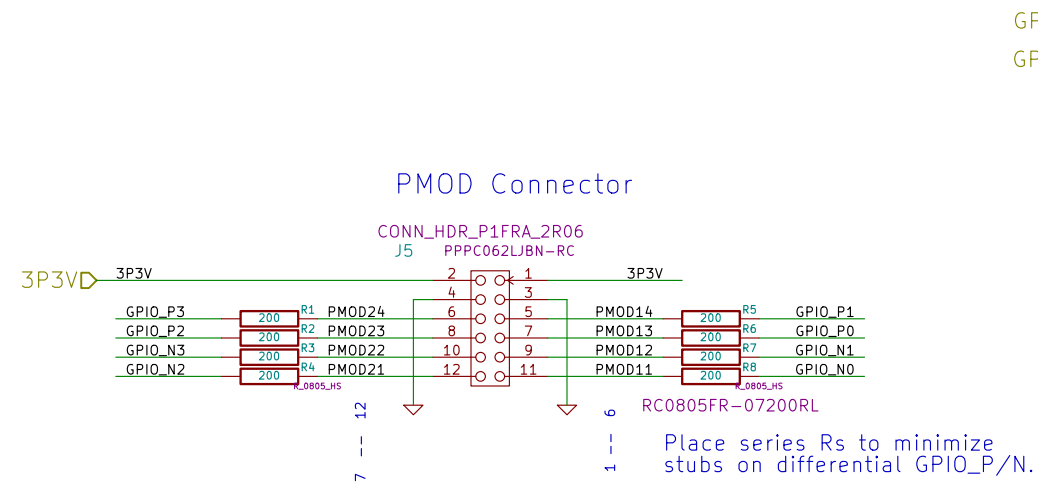
Title: Parallella Breakout Daughtercard		
Size: B	Date: 19 Jun 2014	Rev: *
KiCad E.D.A. eeschema (2014-02-06 BZR 4665)-product		Id: 5/10



Mounting Holes
Adapteva, Inc., 1666 Massachusetts Ave., Lexington, MA, 02420
Sheet: /MountingHoles/
File: paracard-mtg.sch

Title: Parallella Breakout Daughtercard		
Size: B	Date: 19 Jun 2014	Rev: *
KiCad E.D.A. eeschema (2014-02-06 BZR 4665)-product		Id: 6/10

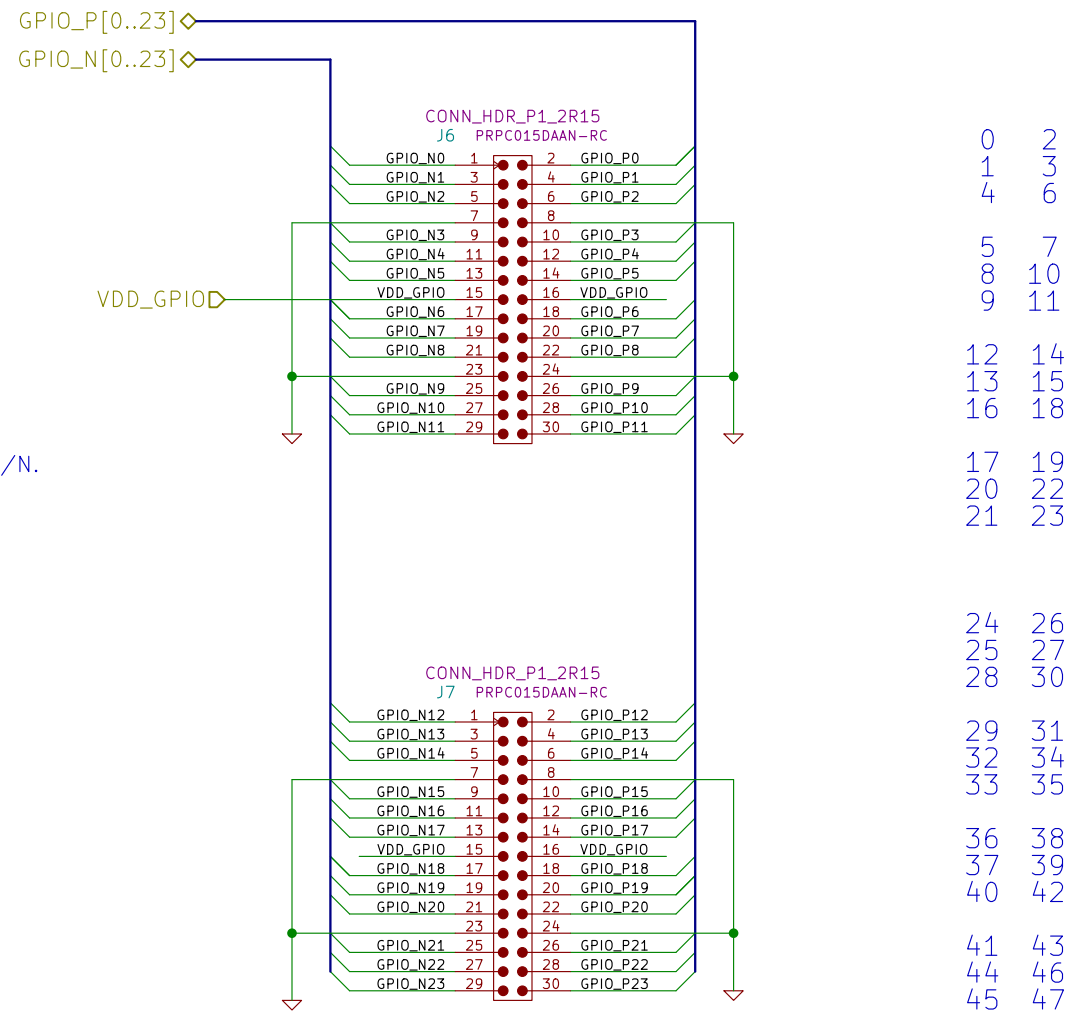




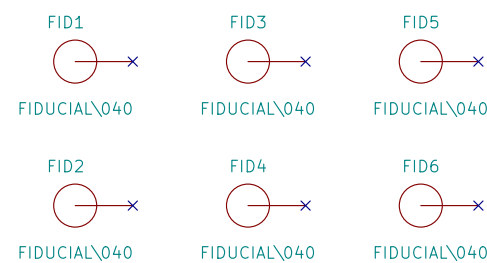
NOTE: Pin numbering for PMODs is non-standard. The numbering looking into the host (female) connector:

STD	1	3	5	7	9	11
PMOD	6	5	4	3	2	1
PMOD	12	11	10	9	8	7
STD	2	4	6	8	10	12

NOTE:
GPIO assignments are made to facilitate differential signaling (e.g. twisted-pair). For single-ended GPIOs, the assignments are as follows:



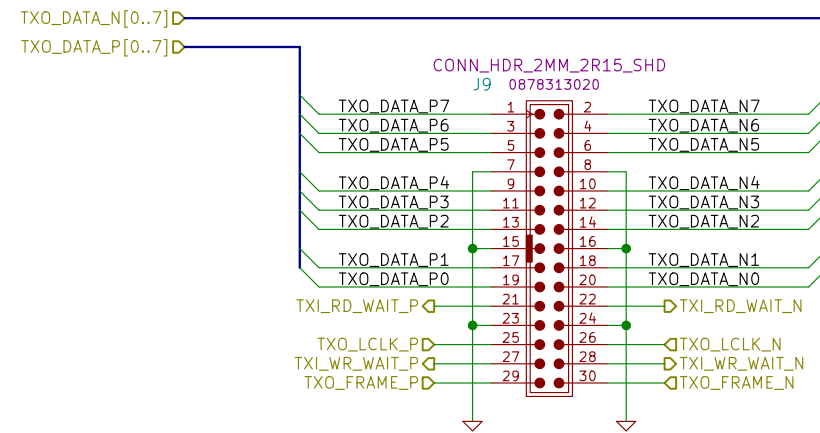
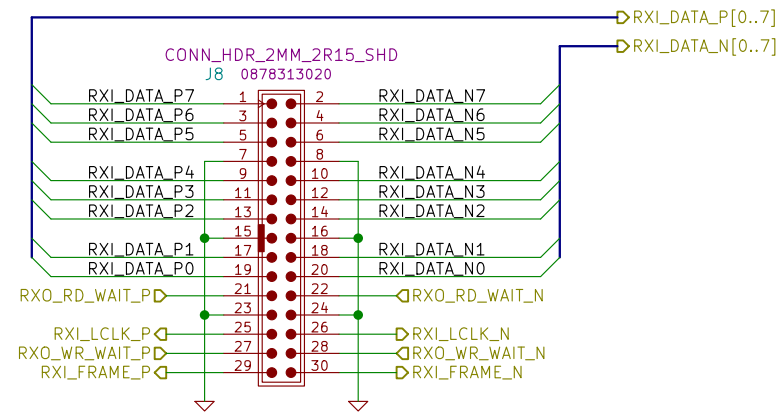
Global Fiducial Markers Top / Bottom



GPIO Connectors
Adapteva, Inc., 1666 Massachusetts Ave., Lexington, MA, 02420
 Sheet: /P_GPIO/
 File: porcu-gpio.sch

Title: Parallella Breakout Daughtercard		
Size: B	Date: 19 Jun 2014	Rev: *
KiCad E.D.A. eeschema (2014-02-06 BZR 4665)-product		Id: 8/10

Use Molex 0875683093
as IDT mating connector.



Elink Connectors
Adapteva, Inc., 1666 Massachusetts Ave., Lexington, MA, 02420
 Sheet: /P_ELINK_N/
 File: porcu-mlink.sch

Title: Parallella Breakout Daughtercard		
Size: B	Date: 19 Jun 2014	Rev: *
KiCad E.D.A. eeschema (2014-02-06 BZR 4665)-product		Id: 9/10

