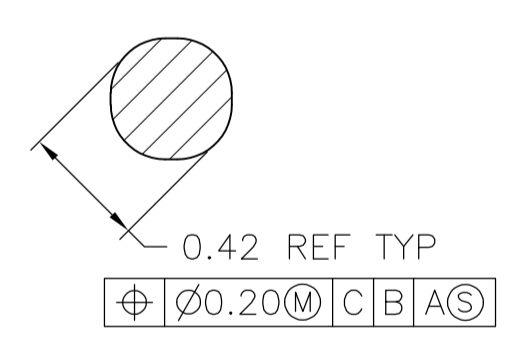
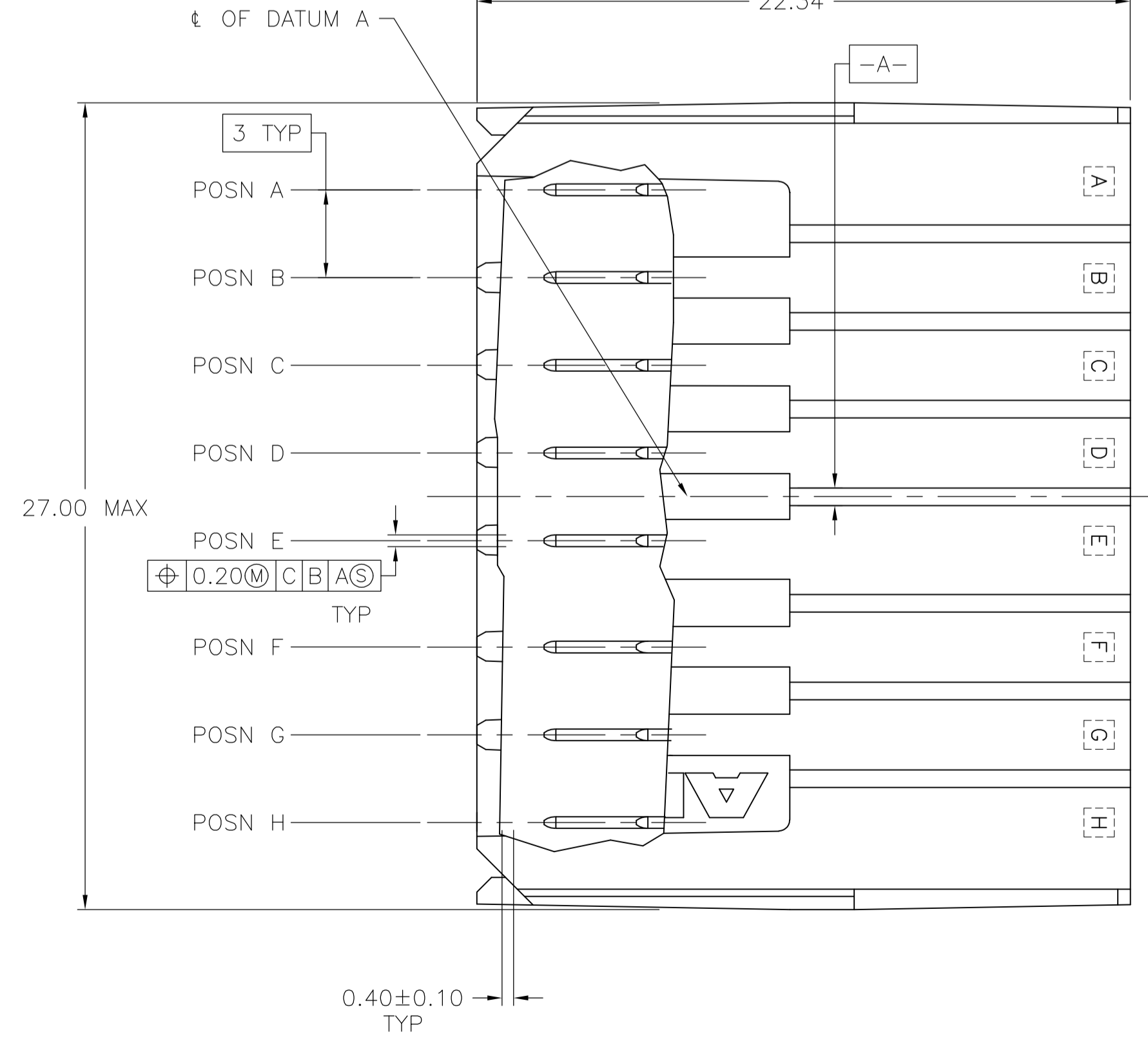
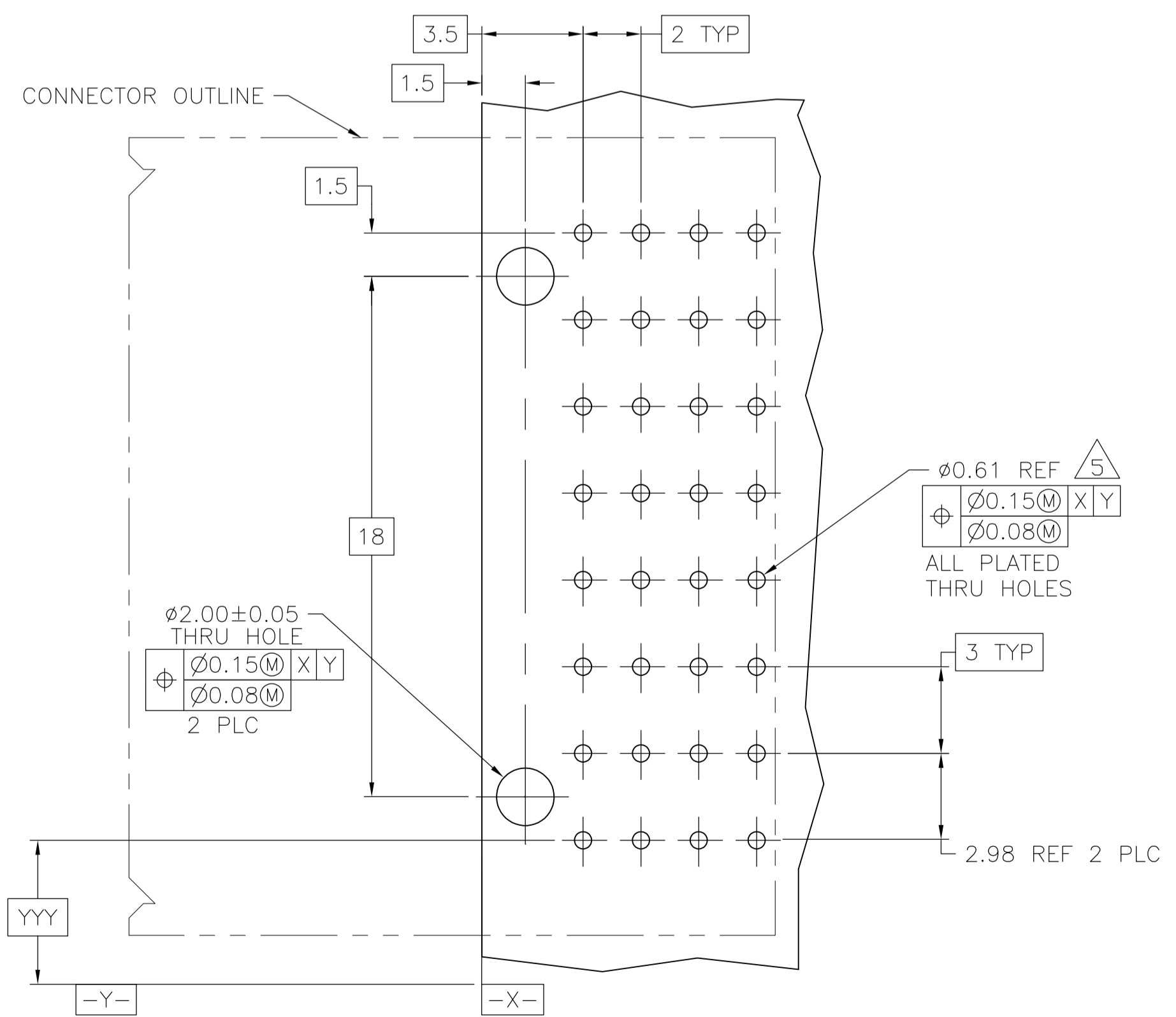
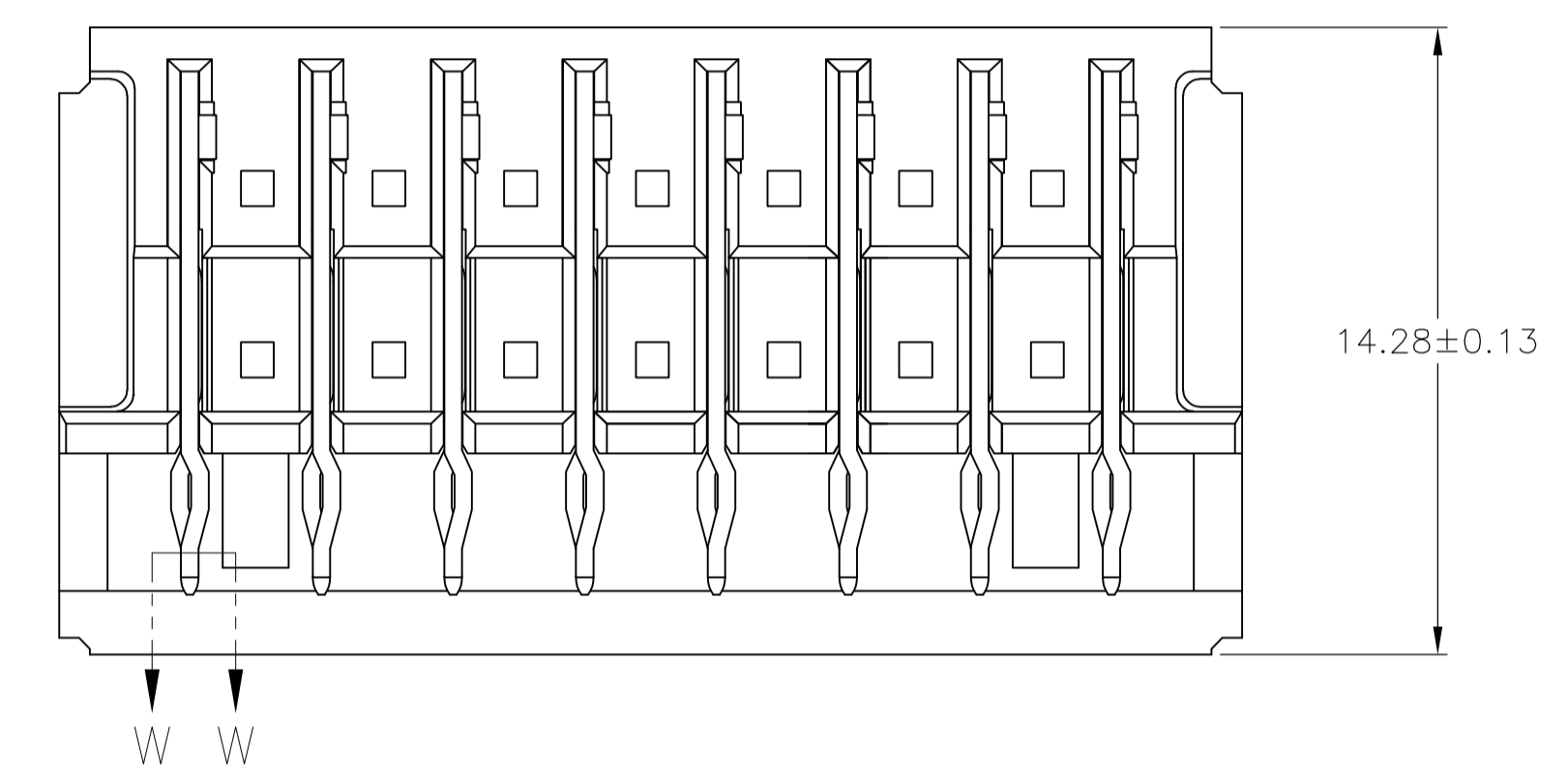
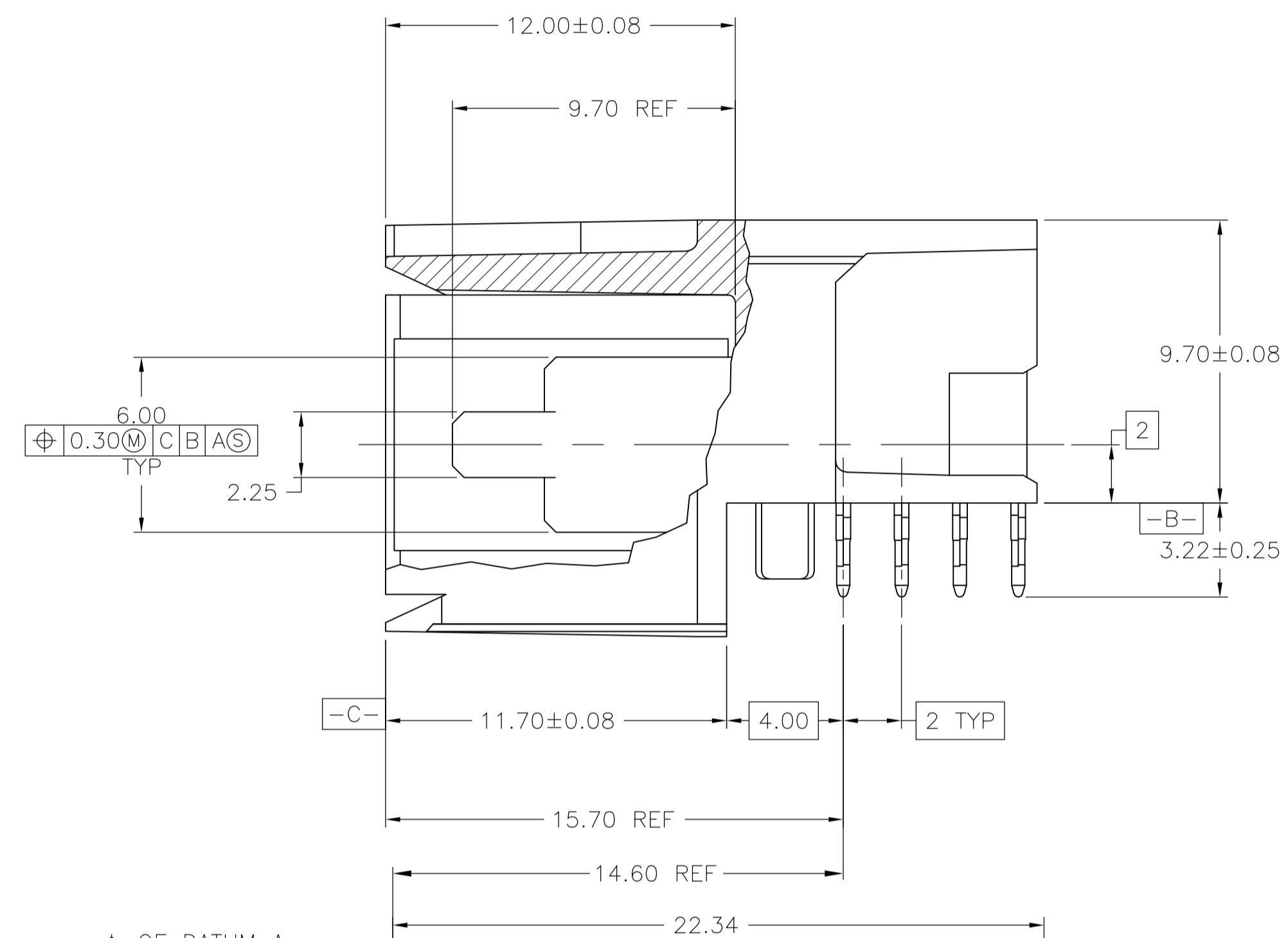
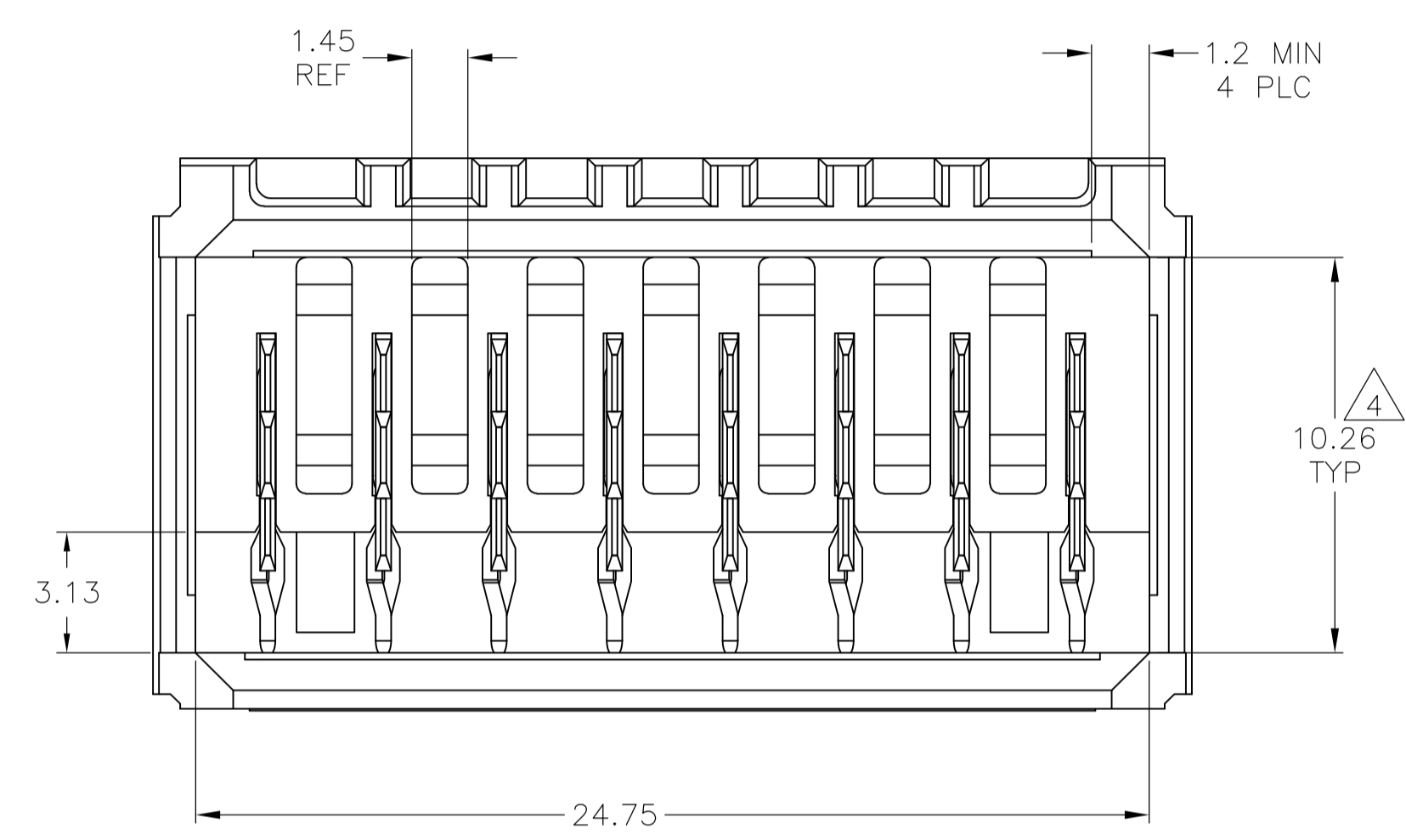


- 1 MATERIAL: HOUSING: POLYESTER, GRAY. UL 94V-0. CONTACT: HIGH CURRENT COPPER ALLOY.
- 2 FINISH: CONTACT MATING AREA: 0.08μm MIN GOLD OVER 0.76μm PALLADIUM-NICKEL ACTION PIN AREA: 0.5μm MIN MATTE TIN PLATE, ALL OVER 1.27μm MIN NICKEL UNDERPLATE.
- 3 FINISH: CONTACT LUBRICATION WITH BELLCORE APPROVED LUBRICANT. TECHNICAL REFERENCE: GR-1217-CORE, ISSUE 1, NOVEMBER 1995.
- 4 10.26±0.13 DIMENSION APPLIES IN THIS AREA.
- 5 REFERENCE APPLICATION SPEC 114-1103 FOR RECOMMENDED PLATED THRU HOLE DIAMETER AND PLATING THICKNESSES.
- 6. CURRENT RATING 16A/CONTACT PER PRODUCT SPEC 108-1651.



SECTION W-W
SCALE 40:1

RECOMMENDED PCB HOLE LAYOUT

A,B,C,D,E,F,G,H	-	8	1645554-5
POSITIONS LOADED WITH 10.90 CONTACTS	POSITIONS LOADED WITH 9.30 CONTACTS	NO OF LOADED POSITIONS	PART NUMBER
THIS DRAWING IS A CONTROLLED DOCUMENT. DIMENSIONS: mm TOLERANCES UNLESS OTHERWISE SPECIFIED: 0 PLC ± - 1 PLC ± - 2 PLC ± 0.13 3 PLC ± - 4 PLC ± - ANGLES ± -		Tyco Electronics Corporation Harrisburg, PA 17105-3608 ASSEMBLY, RIGHT ANGLE HEADER, W/ RETENTION PEGS, UNIVERSAL POWER MODULE	
MATERIAL	FINISH	SIZE	RESTRICTED TO
1	2, 3	A1 00779	1645554
CUSTOMER DRAWING		SCALE 6:1	SHEET 1 OF 1 REV C