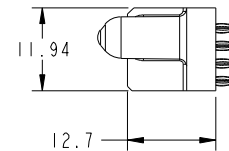
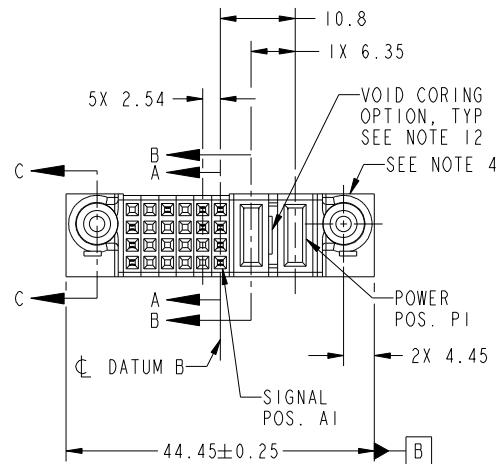


Tous droits strictement reserves. Reproduction ou communication a des tiers interdite sous quelque forme que ce soit sans autorisation écrite du propriétaire. Propriete de c FCI. Droits de reproduction FCI.



All rights strictly reserved. Reproduction or issue to third parties in any form whatever is not permitted without written authority from the proprietor. Property of FCI. Copyright FCI.

PRODUCT NO.	ROWS	SIGNAL					POWER		E1				
		E2	6	5	4	3	2	1		P2	P1		
51752-030-- NOTE: 3	D C B A		X	X	F	X	F	F	F	F	PF	PF	
			F	X	X	X	F	F	F	F			
			F	X	X	X	F	F	F	F			
			F	X	X	X	F	F	F	F			



CODE	DIM "M" MATING LENGTH	CONTACT TYPE
PF	[2.34]	POWER
F	[N/A]	SIGNAL
X	OMITTED	

mat'l code				SEE NOTES		tolerances unless otherwise specified		CUSTOMER		FCI	
ltr	ecn no.	dr	date	linear	0.X ± 0.5	projection		COPY		www.fciconnect.com	
A	DG09-0322	WD	10/21/09	angles	0.XX ± 0.25	MIM		title		2P + 24S	
				dr	0.XXX ± 0.1	scale		product family		PwrBlade	
				enr	0° ± 2°	1:1		size		code	
				chr				dwg no		213	
				appd				A		51752-030	
sheet index	revision sheet	A	A	A	A					sheet 1 of 4	
1	2	3	4								

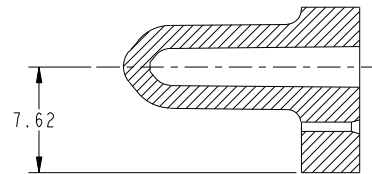
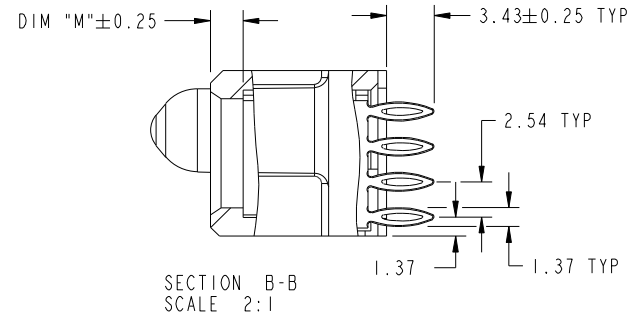
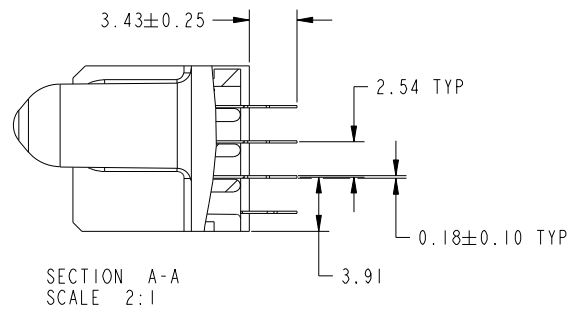
cage code 22526

Tous droits strictement reserves. Reproduction ou communication a des tiers interdite sous quelque forme que ce soit sans autorisation écrite du propriétaire. Propriete de c FCI. Droits de reproduction FCI.

All rights strictly reserved. Reproduction or issue to third parties in any form whatever is not permitted without written authority from the proprietor. Property of FCI. Copyright FCI.



PRODUCT NUMBER
51752-030--
NOTE: 3



mat'l code				tolerances unless otherwise specified		CUSTOMER		www.fciconnect.com			
ltr	ecn no.	dr	date	linear	0.X ±0.5	COPY		projection	title 2P + 24S VERTICAL PRESS-FIT RECEPT		
A					0.XX ±0.25	MIM				product family	code
					0.XXX ±0.1	1:1				PwrBlade	213
				angles	0° ±2°	scale		size	sheet		
		dr	Warren Du	10/12/09		1:1		A	51752-030		
		enr	Warren Du	10/12/09					2 of 4		
		chr	PM ZHENG	10/12/09							
		appd	JOSEPH HSIA	10/12/09							
sheet index	revision sheet										

Pro/E

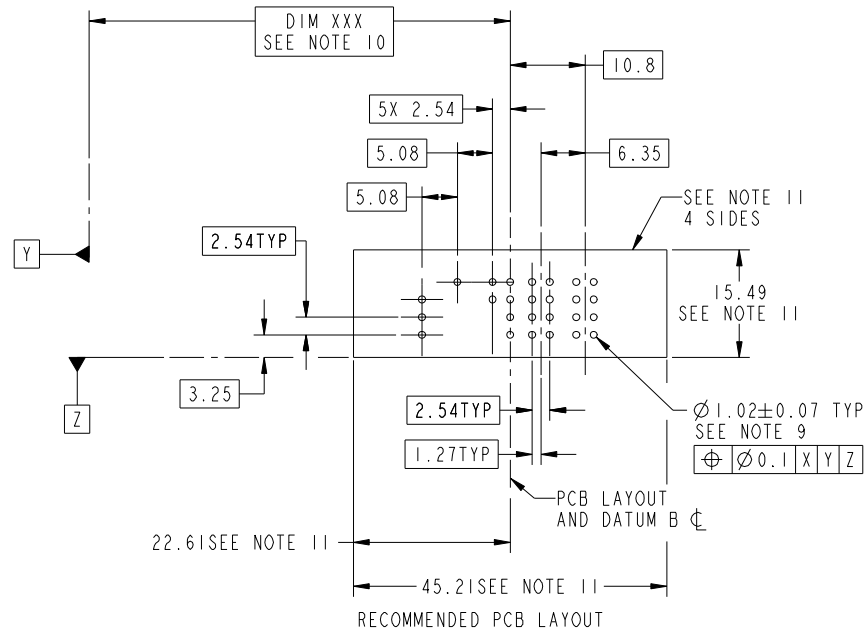
cage code 22526

Tous droits strictement reserves. Reproduction ou communication a des tiers interdite sous quelque forme que ce soit sans autorisation écrite du propriétaire. Propriete de c FCI. Droits de reproduction FCI.



All rights strictly reserved. Reproduction or issue to third parties in any form whatever is not permitted without written authority from the proprietor. Property of FCI. Copyright FCI.

PRODUCT NUMBER
51752-030--
NOTE: 3



mat'l code				tolerances unless otherwise specified		CUSTOMER		FCI	
ltr	ecr no.	dr	date	linear	0.X ± 0.5	COPY		www.fciconnect.com	
A				linear	0.XX ± 0.25	projection		title 2P + 24S	
				angles	0.XXX ± 0.1			VERTICAL PRESS-FIT RECEPT	
				angles	0° ± 2°			product family PwrBlade code 213	
		dr	Warren Du	10/12/09		scale		size dwg no 213	
		enr	Warren Du	10/12/09		1:1		sheet 3 of 4	
		chr	PM ZHENG	10/12/09				A 51752-030	
		appd	JOSEPH HSIA	10/12/09					
sheet index	revision sheet								

cage code 22526

Pro/E

Tous droits strictement reserves. Reproduction ou communication a des tiers interdite sous quelque forme que ce soit sans autorisation écrite du propriétaire. Propriete de c FCI. Droits de reproduction FCI.

All rights strictly reserved. Reproduction or issue to third parties in any form whatever is not permitted without written authority from the proprietor. Property of FCI. Copyright FCI.

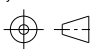
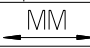
PRODUCT NUMBER
51752-030-
NOTE: 3

NOTES:

1. DIMENSIONS AND TOLERANCES ARE IN ACCORDANCE WITH ASME Y14.5M, 1994 UNLESS OTHERWISE SPECIFIED.

CONNECTOR NOTES:

- 2 HOUSING MATERIAL: UL 94 V-0 GLASS FILLED HIGH-TEMP THERMOPLASTIC
POWER CONTACT MATERIAL: COPPER ALLOY
SIGNAL PIN MATERIAL: COPPER ALLOY
 - 3. PLATING SPEC.
SEE NOTE 7 & 8 IN PIRNT 10064183 FOR PLATING SPEC OF 51752-030, 51752-030LF RESPECTIVELY.
 - 4 MANUFACTURER'S NAME, DATE CODE AND OPTIONAL P/N TO APPEAR ON THIS SURFACE. THE P/N CAN BE OMITTED IF THERE IS NOT ENOUGH SPACE ON THIS SURFACE.
 - 5. PRODUCT SPECIFICATION GS-12-149.
APPLICATION SPECIFICATION BUS-20-067.
 - 6. PACKAGED IN TRAYS.
- PCB NOTES:
- 7. ALL HOLE DIAMETERS ARE FINISHED HOLE SIZE.
 - 8 MOUNTING HOLES, WHERE APPLICABLE, ARE UNPLATED.
 - 9 $\varnothing 1.151 \pm 0.025$ DRILLED HOLES PLATED WITH 0.008 MIN SnPb OR Sn OVER 0.03 TO 0.08 Cu PLATING TO ACHIEVE $\varnothing 1.02 \pm 0.07$ HOLE.
 - 10 "DIM XXX" TO BE DETERMINED BY THE CUSTOMER.
 - 11 CONNECTOR KEEP-OUT ZONE.
 - 12. THE VOID CORING IN BETWEEN POWER MODULES, SIGNAL MODULES AND END MODULES ARE OPTIONAL AND THE SHAPE MAY BE DIFFERENT FOR OPTIMIZE THE MOLDING PROCESS. THE VOID CORING WILL NOT EFFECT TO PRODUCT FUNCTION.

mat'l code				tolerances unless otherwise specified		CUSTOMER		FCI		www.fciconnect.com	
ltr	ecn no.	dr	date	linear	0.X ± 0.5	COPY				title	
A					0.XX ± 0.25	projection				2P + 24S	
				angles	0.XXX ± 0.1					VERTICAL PRESS-FIT RECEPT	
				dr	0° ± 2°	scale		product family		code	
				enrg	Warren Du 10/12/09	1:1		PwrBlade		213	
				chr	Warren Du 10/12/09	A		size		sheet	
				appd	PM ZHENG 10/12/09			dwg no		4 of 4	
					JOSEPH HSIA 10/12/09			51752-030			
sheet index	revision sheet										

cage code 22526