



## 14 Gbps, FAST RISE TIME AND / NAND / OR / NOR GATE

### Typical Applications

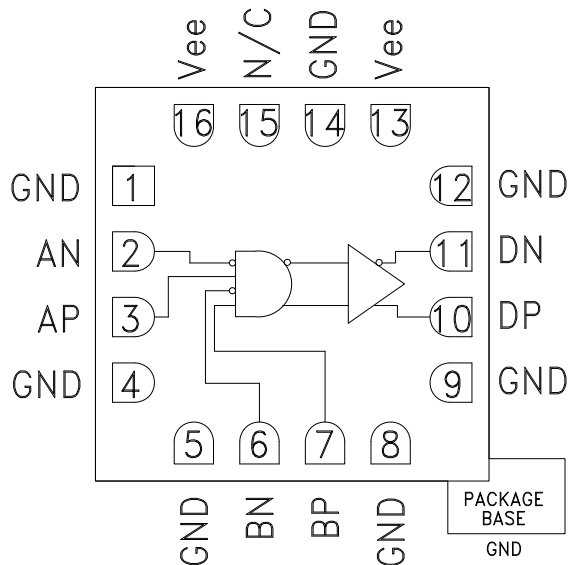
The HMC726LC3C is ideal for:

- 16 G Fiber Channel
- RF ATE Applications
- Broadband Test & Measurement
- Serial Data Transmission up to 14 Gbps
- Digital Logic Systems up to 14 GHz
- NRZ-to-RZ Conversion

### Features

- Supports High Data Rates: up to 14 Gbps
- Differential or Single-Ended Operation
- Fast Rise and Fall Times: 19 / 18 ps
- Low Power Consumption: 230 mW typ.
- Propagation Delay: 95 ps
- Single Supply: -3.3 V
- 16 Lead Ceramic 3x3 mm SMT Package: 9mm<sup>2</sup>

### Functional Diagram



### General Description

The HMC726LC3C is an AND/NAND/OR/NOR function designed to support data transmission rates of up to 14 Gbps, and clock frequencies as high as 14 GHz. The HMC726LC3C may be easily configured to provide any of the following logic functions: AND, NAND, OR and NOR.

All differential inputs to the HMC726LC3C are CML and terminated on-chip with 50 Ohms to the positive supply, GND, and may be DC or AC coupled. The differential CML outputs are source terminated to 50 Ohms and may also be AC or DC coupled. Outputs can be connected directly to a 50 Ohm ground-terminated system or drive devices with CML logic input. The HMC726LC3C operates from a single -3.3 V supply and is available in ROHS-compliant 3x3 mm SMT package.

### Electrical Specifications, $T_A = +25^\circ\text{C}$ , $V_{ee} = -3.3\text{ V}$

| Parameter                | Conditions                 | Min. | Typ.    | Max  | Units |
|--------------------------|----------------------------|------|---------|------|-------|
| Power Supply Voltage     |                            | -3.6 | -3.3    | -3.0 | V     |
| Power Supply Current     |                            |      | 70      |      | mA    |
| Maximum Data Rate        |                            |      | 14      |      | Gbps  |
| Maximum Clock Rate       |                            |      | 14      |      | GHz   |
| Input Voltage Range      |                            | -1.5 |         | 0.5  | V     |
| Input Differential Range |                            | 0.1  |         | 2.0  | Vp-p  |
| Input Return Loss        | Frequency <14 GHz          |      | 10      |      | dB    |
| Output Amplitude         | Single-Ended, peak-to-peak |      | 550     |      | mVp-p |
|                          | Differential, peak-to-peak |      | 1100    |      | mVp-p |
| Output High Voltage      |                            |      | -10     |      | mV    |
| Output Low Voltage       |                            |      | -560    |      | mV    |
| Output Rise / Fall Time  | Differential, 20% - 80%    |      | 19 / 18 |      | ps    |

Information furnished by Analog Devices is believed to be accurate and reliable. However, no responsibility is assumed by Analog Devices for its use, nor for any infringements of patents or other rights of third parties that may result from its use. Specifications subject to change without notice. No license is granted by implication or otherwise under any patent or patent rights of Analog Devices. Trademarks and registered trademarks are the property of their respective owners.

For price, delivery, and to place orders: Analog Devices, Inc., One Technology Way, P.O. Box 9106, Norwood, MA 02062-9106 Phone: 781-329-4700 • Order online at [www.analog.com](http://www.analog.com) Application Support: Phone: 1-800-ANALOG-D

# HMC726\* PRODUCT PAGE QUICK LINKS

Last Content Update: 02/23/2017

---

## COMPARABLE PARTS

View a parametric search of comparable parts.

## EVALUATION KITS

- HMC726LC3C Evaluation Board

## DOCUMENTATION

### Data Sheet

- HMC726 Data Sheet

## REFERENCE MATERIALS

### Quality Documentation

- Package/Assembly Qualification Test Report: LC3, LC3B, LC3C (QTR: 2014-00376 REV: 01)
- Semiconductor Qualification Test Report: BiCMOS-C (QTR: 2013-00241)

## DESIGN RESOURCES

- HMC726 Material Declaration
- PCN-PDN Information
- Quality And Reliability
- Symbols and Footprints

## DISCUSSIONS

View all HMC726 EngineerZone Discussions.

## SAMPLE AND BUY

Visit the product page to see pricing options.

## TECHNICAL SUPPORT

Submit a technical question or find your regional support number.

## DOCUMENT FEEDBACK

Submit feedback for this data sheet.

---



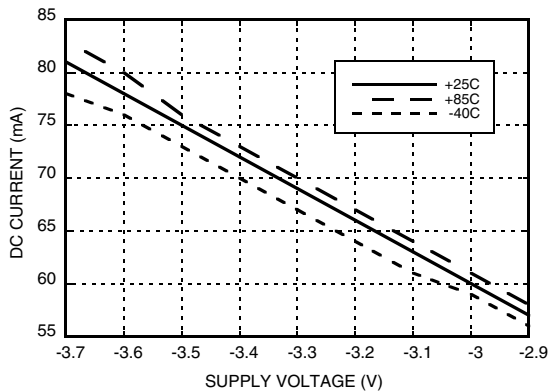
## 14 Gbps, FAST RISE TIME AND / NAND / OR / NOR GATE

### Electrical Specifications (continued)

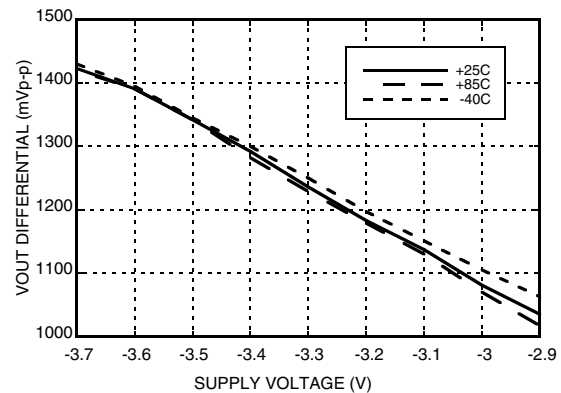
| Parameter                | Conditions                                      | Min. | Typ. | Max. | Units   |
|--------------------------|---|------|------|------|---------|
| Output Return Loss       | Frequency <14 GHz                               |      | 10   |      | dB      |
| Small Signal Gain        |   |      | 27   |      | dB      |
| Random Jitter Jr         | rms   |      |      | 0.2  | ps rms  |
| Deterministic Jitter, Jd | peak-to-peak, 2 <sup>15</sup> -1 PRBS input [1] |      | 2    |      | ps, p-p |
| Propagation Delay, td    |   |      | 95   |      | ps      |

[1] Deterministic jitter calculated by simultaneously measuring the jitter of a 300 mV, 13 GHz, 2<sup>15</sup>-1 PRBS input, and a single-ended output

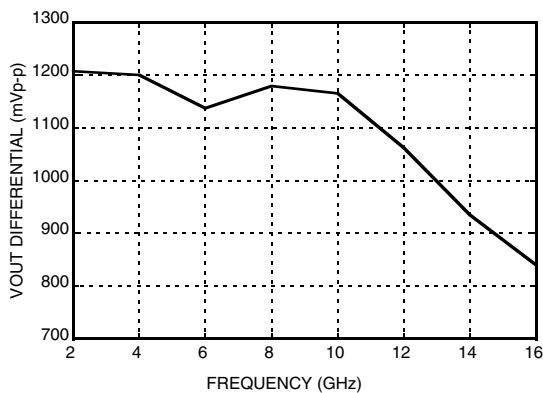
#### DC Current vs. Supply Voltage [1]



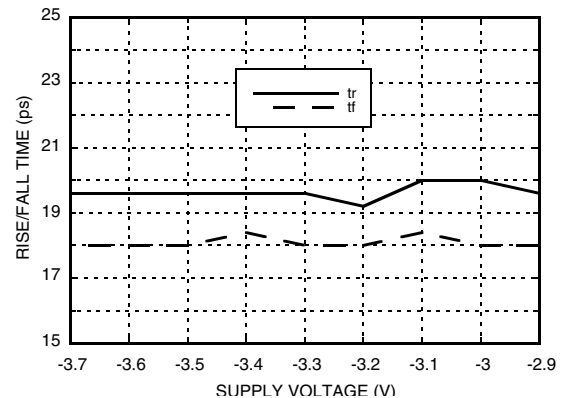
#### Output Differential Voltage vs. Supply Voltage [2]



#### Output Differential Voltage vs. Frequency [3]



#### Rise / Fall Time vs. Supply [1]



[1] Data rate = 13 Gbps

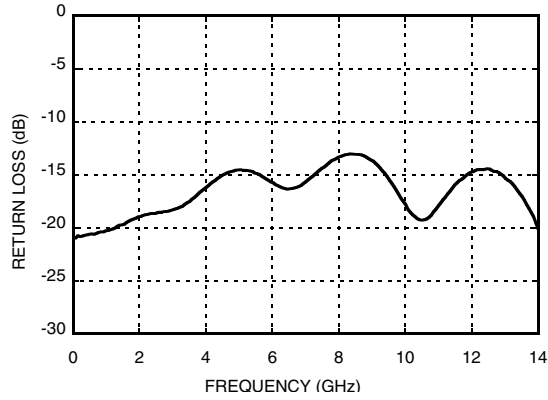
[2] Frequency = 10 GHz

[3] Vee = -3.3 V

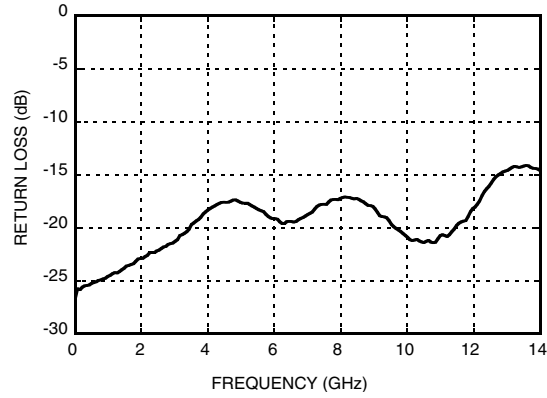


**14 Gbps, FAST RISE TIME  
AND / NAND / OR / NOR GATE**

**Output Return Loss vs. Frequency**



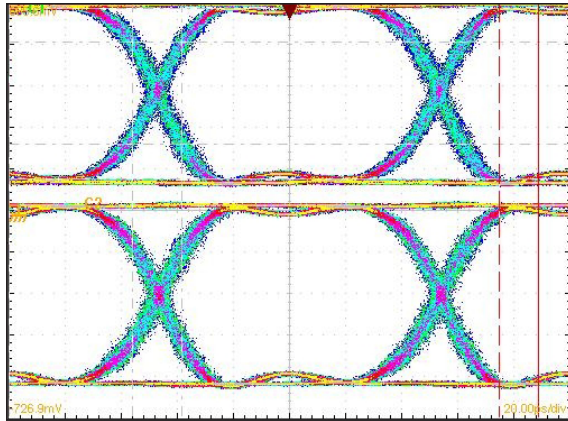
**Input Return Loss vs. Frequency**





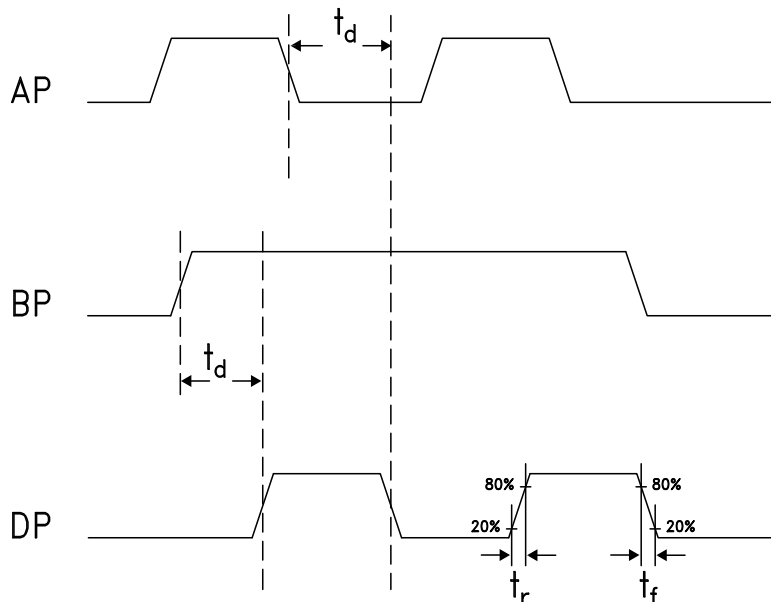
## 14 Gbps, FAST RISE TIME AND / NAND / OR / NOR GATE

### Eye Diagram



[1] Test Conditions:  
 Pattern generated with an Agilent N4903A Serial BERT.  
 Eye Diagram presented on a Tektronix CSA 8000.  
 Device input = 10 Gbps PN code,  $V_{in}$  = 300 mVp-p differential.

### Timing Diagram



### Truth Table

| Input |   | Outputs |
|-------|---|---------|
| A     | B | D       |
| L     | L | L       |
| L     | H | L       |
| H     | L | L       |
| H     | H | H       |

Notes:  
 A = AP - AN  
 B = BP - BN  
 D = DP - DN

H - Positive voltage level  
 L - Negative voltage level



## 14 Gbps, FAST RISE TIME AND / NAND / OR / NOR GATE

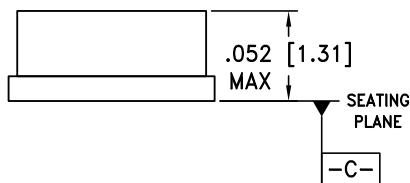
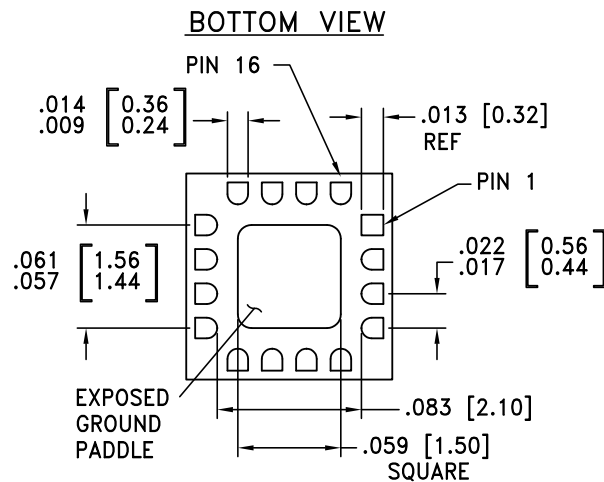
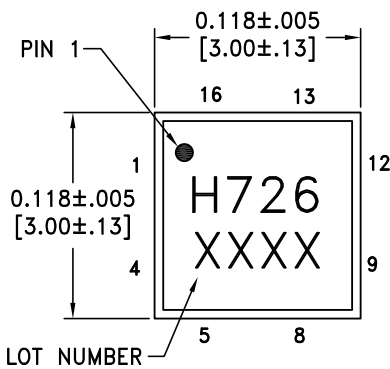
### Absolute Maximum Ratings

|  |                   |
|--|-------------------|
| Power Supply Voltage (Vee)   | -3.75 V to +0.5 V |
| Input Signals  | -2 V to +0.5 V    |
| Output Signals   | -1.5 V to +1 V    |
| Continuous Pdiss (T = 85 °C)<br>(derate 17 mW/°C above 85 °C)                      | 0.68 W            |
| Thermal Resistance (R <sub>th j-p</sub> ) Worst<br>case junction to package paddle | 59 °C/W           |
| Maximum Junction Temperature   | 125 °C            |
| Storage Temperature  | -65 °C to +150 °C |
| Operating Temperature  | -40 °C to +85 °C  |
| ESD Sensitivity (HBM)  | Class 1C          |



ELECTROSTATIC SENSITIVE DEVICE  
OBSERVE HANDLING PRECAUTIONS

### Outline Drawing



NOTES:

1. PACKAGE BODY MATERIAL: ALUMINA
2. LEAD AND GROUND PADDLE PLATING:  
30-80 MICROINCHES GOLD OVER 50 MICROINCHES MINIMUM NICKEL.
3. DIMENSIONS ARE IN INCHES [MILLIMETERS].
4. LEAD SPACING TOLERANCE IS NON-CUMULATIVE.
5. PACKAGE WARP SHALL NOT EXCEED 0.05 mm DATUM -C-
6. ALL GROUND LEADS MUST BE SOLDERED TO PCB RF GROUND.
7. PADDLE MUST BE SOLDERED TO GND.

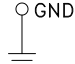
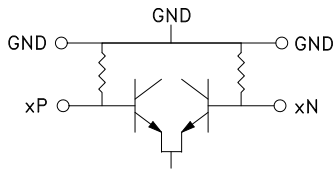
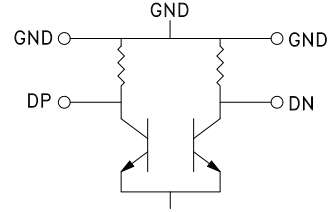
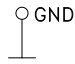
### Package Information

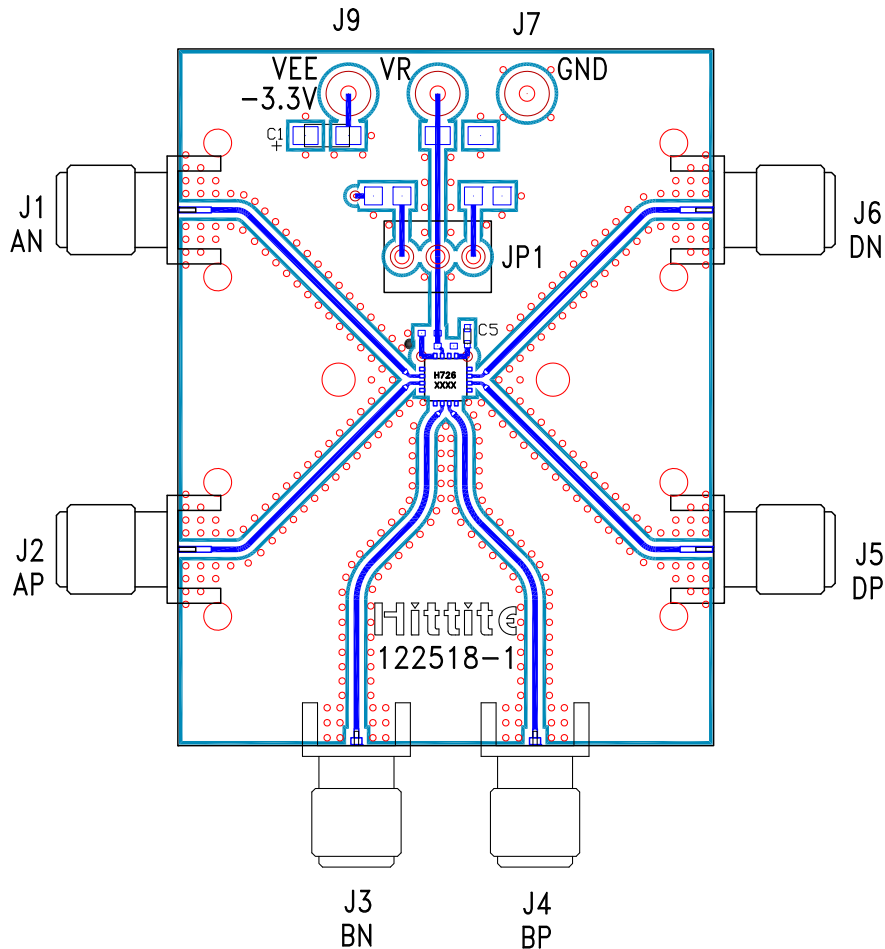
| Part Number | Package Body Material | Lead Finish      | MSL Rating          | Package Marking <sup>[2]</sup> |
|-------------|-----------------------|------------------|---------------------|--------------------------------|
| HMC726LC3C  | Alumina, White        | Gold over Nickel | MSL3 <sup>[1]</sup> | H726<br>XXXX                   |

[1] Max peak reflow temperature of 260 °C

[2] 4-Digit lot number XXXX


**14 Gbps, FAST RISE TIME  
AND / NAND / OR / NOR GATE**
**Pin Descriptions**

| Pin Number          | Function         | Description  | Interface Schematic  |
|---------------------|------------------|--|--|
| 1, 4, 5, 8, 9, 12   | GND              | Signal Grounds   |   |
| 2, 3<br>6, 7        | AN, AP<br>BN, BP | Differential Data Inputs, Current Mode Logic (CML) referenced to positive supply.                |   |
| 10, 11              | DP, DN           | Differential Data Outputs, Current Mode Logic (CML) referenced to positive supply.               |   |
| 13, 16              | Vee              | Negative Supply  |  |
| 14,<br>Package Base | GND              | Supply Ground  |  |
| 15                  | N/C              | No Connection required. This pin may be connected to RF/DC ground without affecting performance. |  |


**14 Gbps, FAST RISE TIME  
AND / NAND / OR / NOR GATE**
**Evaluation PCB**

**List of Materials for Evaluation PCB 122520 [1]**

| Item    | Description   |
|---------|---|
| J1 - J6 | PCB Mount SMA RF Connectors                           |
| J7, J9  | DC Pin  |
| C1      | 4.7 $\mu$ F Capacitor, Tantalum                       |
| C5      | 100 pF Capacitor, 0402 Pkg.                           |
| U1      | HMC726LC3C<br>High Speed Logic, AND / NAND / OR / NOR |
| PCB [2] | 122518 Evaluation Board                               |

[1] Reference this number when ordering complete evaluation PCB

[2] Circuit Board Material: Arlon 25FR or Rogers 4350

The circuit board used in the application should use RF circuit design techniques. Signal lines should have 50 Ohm impedance while the package ground leads should be connected directly to the ground plane similar to that shown. The exposed package base should be connected to GND. A sufficient number of via holes should be used to connect the top and bottom ground planes. The evaluation circuit board shown is available from Hittite upon request.





**14 Gbps, FAST RISE TIME  
AND / NAND / OR / NOR GATE**

**Application Circuit**

