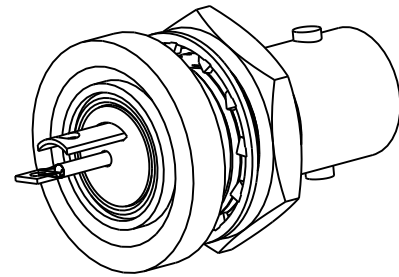


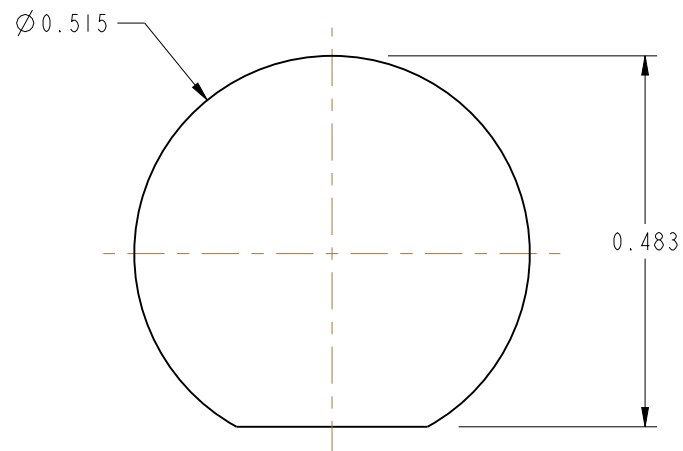
NOTES:

1. MATERIALS AND FINISHES:  
 BODY - BRASS, SILVER PLATING  
 GLASS SEAL - GLASS & NICKEL ALLOY, GOLD PLATING  
 INSULATORS - PTFE  
 RETAINING RINGS - BRASS, SILVER PLATING  
 GASKET - SILICONE  
 HEX NUT - BRASS  
 LOCK WASHER - BRASS, SILVER PLATING
2. ELECTRICAL:  
 A. IMPEDANCE: NONCONSTANT
3. MECHANICAL:  
 A. DURABILITY: 500 CYCLES MIN.  
 B. TEMPERATURE RANGE: +65° C TO -165° C
4. PACKAGING:  
 A. QUANTITY: SINGLE PACK  
 B. MARKING: BAG TO BE MARKED  
 "AMPHENOLRF, 31-2677-1, AND DATE CODE"

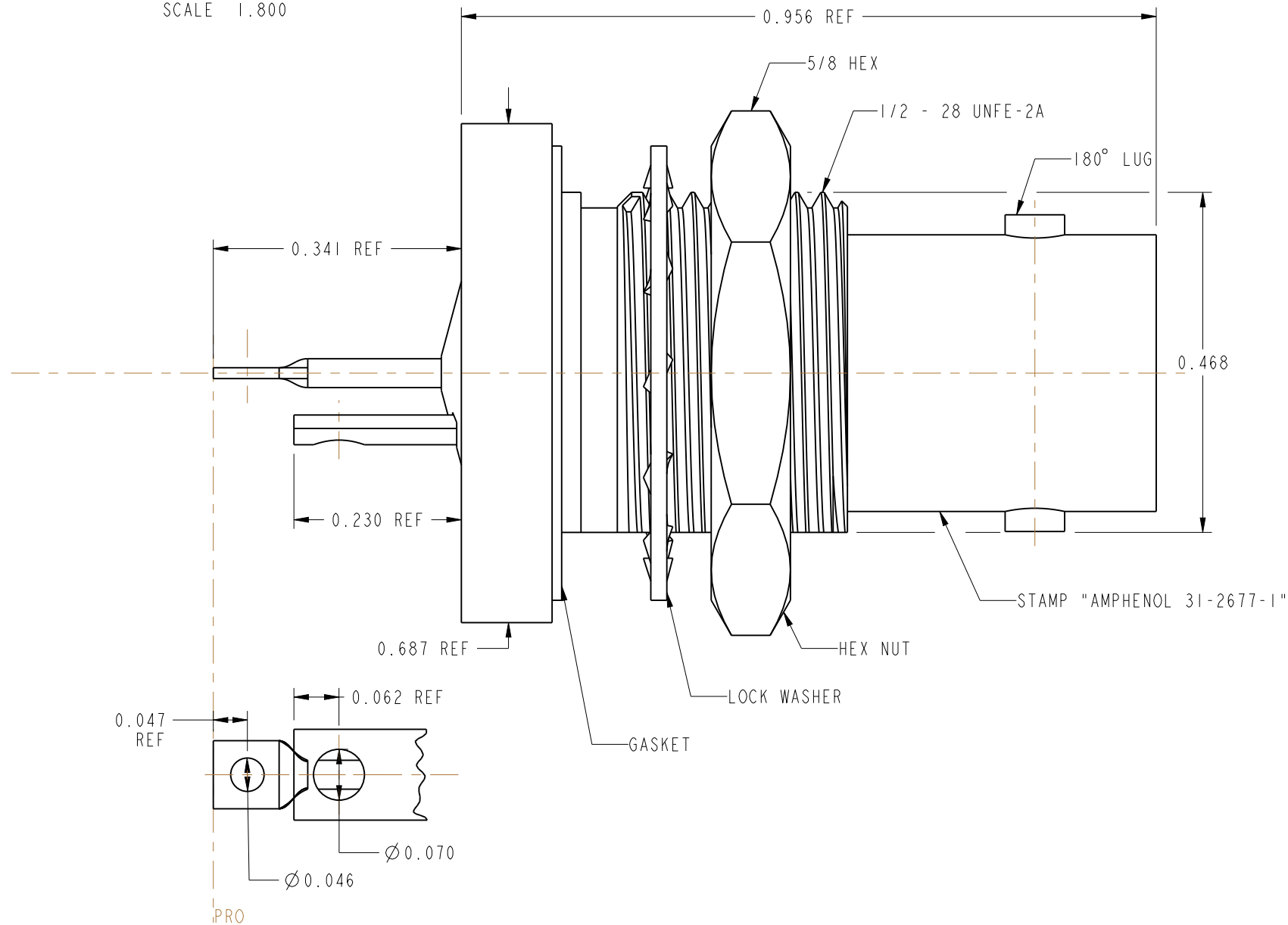


SCALE 1.800

| 31-2677-1         |     | REVISIONS   |         |       |        |
|-------------------|-----|---|---------|-------|--------|
| DRAWING NO.       | REV | DESCRIPTION   | DATE    | ECO   | APPR   |
| THIRD ANGLE PROJ. | F   | SEE SHEET 1   | 8/29/86 | 33340 | PJ     |
|                   | G   | SEE SHEET 1   | 2/7/93  | 38794 | RAV/DR |
|                   | H   | REDRAWN IN PRO-E AND<br>ADDED NOTE USE LEAD FREE SOLDER | 9/10/10 | 48222 | KR     |
|                   | J   | INTERNAL DOCUMENT CHANGE                                | 6/28/13 | 49608 | RLB    |



**RECOMMENDED  
HOLE MOUNTING DIMENSIONS**



**CUSTOMER OUTLINE DRAWING**  
 ALL OTHER SHEETS ARE FOR INTERNAL USE ONLY

|   |                       |                                       |                   |   |  |
|---|-----------------------|---------------------------------------|-------------------|---|--|
| UNLESS OTHERWISE SPECIFIED, DIMENSIONS ARE IN INCHES AND TOLERANCES ARE:<br>2 PLACE DECIMAL ±.015 (0,381 mm)<br>3 PLACE DECIMAL ±.005 (0,127 mm)<br>ANGLES ± 1°   | MATERIAL<br>SEE NOTES | DRAWN<br>R. KARTHIK                   | DATE<br>02-Aug-10 | TITLE<br>BNC TRIAX JACK<br>REVERSE POLARITY | Amphenol RF<br>Danbury, CT, USA<br>Tainan, Taiwan<br>Shenzhen, China<br>www.amphenolrf.com |
|   | REFERENCE             | ENGINEER<br>R. KARTHIK                | DATE<br>02-Aug-10 |   |  |
| NOTICE - These drawings, specifications, or other data (1) are, and remain the property of Amphenol Corp. (2) must be returned upon request; and (3) are confidential and not to be disclosed to any person other than those to whom they are given by Amphenol Corp. The furnishing of these drawings, specifications, or other data by Amphenol Corp., or to any other person to anyone for any purpose is not to be regarded by implication or otherwise in any manner licensing, granting rights or permitting such holder or any other person to manufacture, use or sell any product, process or design, patented or otherwise, that may in any way be related to or disclosed by said drawings, specifications, or other data. |                       | APPROVED<br>K. CAPOZZI                | DATE<br>8/24/10   | SCALE: 5.0:1                                | SHEET 2 OF 2   |
|   |                       | CAD FILE<br>Root Folder/BNC/31-2677-1 | CODE ID<br>74868  | DWG SIZE<br>B                               | DRAWING NO.<br>31-2677-1   |