



1.8V Low-Power Wide-Range Frequency Clock Driver

Recommended Application:

- DDR2 Memory Modules / Zero Delay Board Fan Out
- Provides complete DDR DIMM logic solution with ICSSTU32864/SSTUF32864/SSTUF32866/SSTUA32864/SSTUA32866/SSTUA32S868/SSTUA32S865/SSTUA32S869

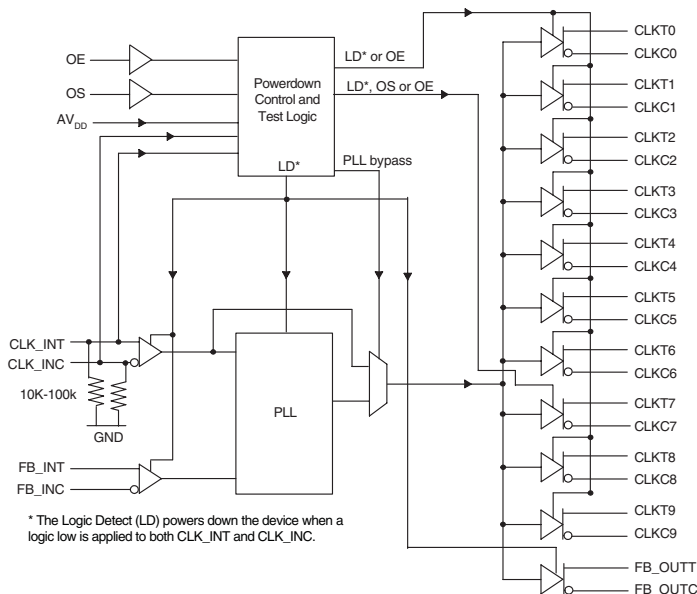
Product Description/Features:

- Low skew, low jitter PLL clock driver
- 1 to 10 differential clock distribution (SSTL_18)
- Feedback pins for input to output synchronization
- Spread Spectrum tolerant inputs
- Auto PD when input signal is at a certain logic state

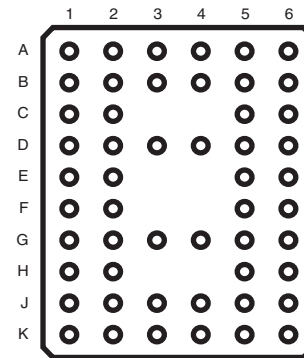
Switching Characteristics:

- Period jitter: 40ps (DDR2-400/533)
30ps (DDR2-667/800)
- Half-period jitter: 60ps (DDR2-400/533)
50ps (DDR2-667/800)
- OUTPUT - OUTPUT skew: 40ps (DDR2-400/533)
30ps (DDR2-667/800)
- CYCLE - CYCLE jitter 40ps

Block Diagram



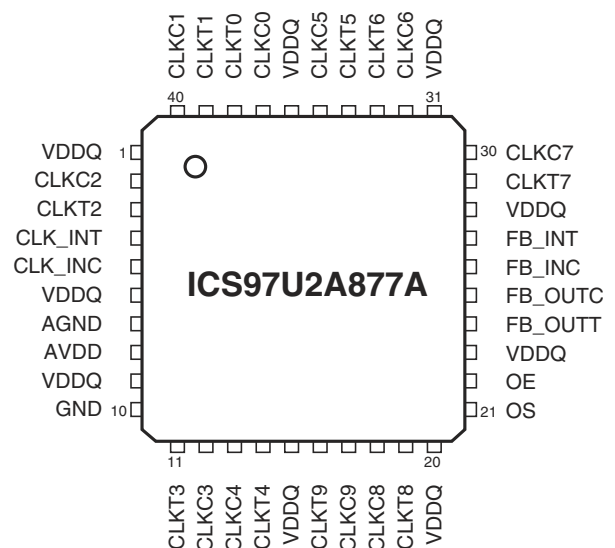
Pin Configuration



52-Ball BGA

Top View

| | 1 | 2 | 3 | 4 | 5 | 6 |
|---|---------|-------|-------|-------|-------|---------|
| A | CLKT1 | CLKT0 | CLKC0 | CLKC5 | CLKT5 | CLKT6 |
| B | CLKC1 | GND | GND | GND | GND | CLKC6 |
| C | CLKC2 | GND | NB | NB | GND | CLKC7 |
| D | CLKT2 | VDDQ | VDDQ | VDDQ | OS | CLKT7 |
| E | CLK_INT | VDDQ | NB | NB | VDDQ | FB_INT |
| F | CLK_INC | VDDQ | NB | NB | OE | FB_INC |
| G | AGND | VDDQ | VDDQ | VDDQ | VDDQ | FB_OUTC |
| H | AVDD | GND | NB | NB | GND | FB_OUTT |
| J | CLKT3 | GND | GND | GND | GND | CLKT8 |
| K | CLKC3 | CLKC4 | CLKT4 | CLKT9 | CLKC9 | CLKC8 |



40-Pin MLF

ICS97U2A877A

Advance Information



Pin Descriptions

| Terminal Name | Description | Electrical Characteristics |
|------------------|---|----------------------------|
| AGND | Analog Ground | Ground |
| AV _{DD} | Analog power | 1.8 V nominal |
| CLK_INT | Clock input with a (10K-100K Ohm) pulldown resistor | Differential input |
| CLK_INC | Complementary clock input with a (10K-100K Ohm) pulldown resistor | Differential input |
| FB_INT | Feedback clock input | Differential input |
| FB_INC | Complementary feedback clock input | Differential input |
| FB_OUTT | Feedback clock output | Differential output |
| FB_OUTC | Complementary feedback clock output | Differential output |
| OE | Output Enable (Asynchronous) | LVC MOS input |
| OS | Output Select (tied to GND or V _{DDQ}) | LVC MOS input |
| GND | Ground | Ground |
| V _{DDQ} | Logic and output power | 1.8V nominal |
| CLKT[0:9] | Clock outputs | Differential outputs |
| CLKC[0:9] | Complementary clock outputs | Differential outputs |
| NB | No ball | |

The PLL clock buffer, **ICS97U2A877A**, is designed for a V_{DDQ} of 1.8 V, a AV_{DD} of 1.8 V and differential data input and output levels. Package options include a plastic 52-ball VFBGA and a 40-pin MLF.

ICS97U2A877A is a zero delay buffer that distributes a differential clock input pair (CLK_INT, CLK_INC) to ten differential pair of clock outputs (CLKT[0:9], CLKC[0:9]) and one differential pair feedback clock outputs (FB_OUTT, FBOUTC). The clock outputs are controlled by the input clocks (CLK_INT, CLK_INC), the feedback clocks (FB_INT, FB_INC), the LVC MOS program pins (OE, OS) and the Analog Power input (AVDD). When OE is low, the outputs (except FB_OUTT/FB_OUTC) are disabled while the internal PLL continues to maintain its locked-in frequency. OS (Output Select) is a program pin that must be tied to GND or V_{DDQ}. When OS is high, OE will function as described above. When OS is low, OE has no effect on CLK7/CLKC7 (they are free running in addition to FB_OUTT/FB_OUTC). When AV_{DD} is grounded, the PLL is turned off and bypassed for test purposes.

When both clock signals (CLK_INT, CLK_INC) are logic low, the device will enter a low power mode. An input logic detection circuit on the differential inputs, independent from the input buffers, will detect the logic low level and perform a low power state where all outputs, the feedback and the PLL are OFF. When the inputs transition from both being logic low to being differential signals, the PLL will be turned back on, the inputs and outputs will be enabled and the PLL will obtain phase lock between the feedback clock pair (FB_INT, FB_INC) and the input clock pair (CLK_INT, CLK_INC) within the specified stabilization time t_{STAB}.

The PLL in **ICS97U2A877A** clock driver uses the input clocks (CLK_INT, CLK_INC) and the feedback clocks (FB_INT, FB_INC) to provide high-performance, low-skew, low-jitter output differential clocks (CLKT[0:9], CLKC[0:9]). **ICS97U2A877A** is also able to track Spread Spectrum Clocking (SSC) for reduced EMI.

ICS97U2A877A is characterized for operation from 0°C to 70°C.



ICS97U2A877A

Advance Information

Function Table

| Inputs | | | | | Outputs | | | | PLL |
|-----------|----|----|---------|---------|---------------------------|---------------------------|---------|---------|--------------|
| AVDD | OE | OS | CLK_INT | CLK_INT | CLKT | CLKC | FB_OUTT | FB_OUTC | |
| GND | H | X | L | H | L | H | L | H | Bypassed/Off |
| GND | H | X | H | L | H | L | H | L | Bypassed/Off |
| GND | L | H | L | H | *L(Z) | *L(Z) | L | H | Bypassed/Off |
| GND | L | L | H | L | *L(Z), CLKT7 active | *L(Z), CLKC7 active | H | L | Bypassed/Off |
| 1.8V(nom) | L | H | L | H | *L(Z) | *L(Z) | L | H | On |
| 1.8V(nom) | L | L | H | L | *L(Z), CLKT7 active | *L(Z), CLKC7 active | H | L | On |
| 1.8V(nom) | H | X | L | H | L | H | L | H | On |
| 1.8V(nom) | H | X | H | L | H | L | H | L | On |
| 1.8V(nom) | X | X | L | L | *L(Z) | *L(Z) | *L(Z) | *L(Z) | Off |
| 1.8V(nom) | X | X | H | H | Reserved | | | | |

*L(Z) means the outputs are disabled to a low stated meeting the I_{ODL} limit.

ICS97U2A877A

Advance Information



Absolute Maximum Ratings

| | |
|-------------------------------|---------------------------------------|
| Supply Voltage (VDDQ & AVDD) | -0.5V to 2.5V |
| Logic Inputs | GND - 0.5V to V _{DDQ} + 0.5V |
| Ambient Operating Temperature | 0°C to +70°C |
| Storage Temperature | -65°C to +150°C |

Stresses above those listed under *Absolute Maximum Ratings* may cause permanent damage to the device. These ratings are stress specifications only and functional operation of the device at these or any other conditions above those listed in the operational sections of the specifications is not implied. Exposure to absolute maximum rating conditions for extended periods may affect product reliability.

Electrical Characteristics - Input/Supply/Common Output Parameters

TA = 0 - 70°C; Supply Voltage AVDDQ, VDDQ = 1.8 V +/- 0.1V (unless otherwise stated)

| PARAMETER | SYMBOL | CONDITIONS | MIN | TYP | MAX | UNITS |
|--|--------------------|---|------------------------|------|------|-------|
| Input High Current (CLK_INT, CLK_INC) | I _{IH} | V _I = V _{DDQ} or GND | | | ±250 | µA |
| Input Low Current (OE, OS, FB_INT, FB_INC) | I _{IL} | V _I = V _{DDQ} or GND | | | ±10 | µA |
| Output Disabled Low Current | I _{ODL} | OE = L, V _{ODL} = 100mV | 100 | | | µA |
| Operating Supply Current | I _{DD1.8} | C _L = 0pf @ 410MHz | | | 300 | mA |
| | I _{DDL} | C _L = 0pf | | | 500 | µA |
| Input Clamp Voltage | V _{IK} | V _{DDQ} = 1.7V I _{in} = -18mA | | | -1.2 | V |
| High-level output voltage | V _{OH} | I _{OH} = -100 µA | V _{DDQ} - 0.2 | | | V |
| | | I _{OH} = -18 mA | 1.1 | 1.45 | | V |
| Low-level output voltage | V _{OL} | I _{OL} = 100 µA | | 0.25 | 0.10 | V |
| | | I _{OL} = 18 mA | | | 0.6 | V |
| Input Capacitance ¹ | C _{IN} | V _I = GND or V _{DDQ} | 2 | | 3 | pF |
| Output Capacitance ¹ | C _{OUT} | V _{OUT} = GND or V _{DDQ} | 2 | | 3 | pF |

¹Guaranteed by design, not 100% tested in production.



ICS97U2A877A

Advance Information

Recommended Operating Condition (see note1)

$T_A = -40^{\circ}\text{C} - 85^{\circ}\text{C}$; Supply Voltage AVDD, VDDQ = 1.8 V +/- 0.1V (unless otherwise stated)

| PARAMETER | SYMBOL | CONDITIONS | MIN | TYP | MAX | UNITS |
|--|--------------------|---------------------------------------|-----------------------|------------|-----------------------|--------------------|
| Supply Voltage | V_{DDQ}, A_{VDD} | | 1.7 | 1.8 | 1.9 | V |
| Low level input voltage | V_{IL} | CLK_INT, CLK_INC, FB_INC, FB_INT | | | $0.35 \times V_{DDQ}$ | V |
| | | OE, OS | | | $0.35 \times V_{DDQ}$ | V |
| High level input voltage | V_{IH} | CLK_INT, CLK_INC, FB_INC, FB_INT | $0.65 \times V_{DDQ}$ | | | V |
| | | OE, OS | $0.65 \times V_{DDQ}$ | | | V |
| DC input signal voltage (note 2) | V_{IN} | | -0.3 | | $V_{DDQ} + 0.3$ | V |
| Differential input signal voltage (note 3) | V_{ID} | DC - CLK_INT, CLK_INC, FB_INC, FB_INT | 0.3 | | $V_{DDQ} + 0.4$ | V |
| | | AC - CLK_INT, CLK_INC, FB_INC, FB_INT | 0.6 | | $V_{DDQ} + 0.4$ | V |
| Output differential cross-voltage (note 4) | V_{OX} | | $V_{DDQ}/2 - 0.10$ | | $V_{DDQ}/2 + 0.10$ | V |
| Input differential cross-voltage (note 4) | V_{IX} | | $V_{DDQ}/2 - 0.15$ | $V_{DD}/2$ | $V_{DDQ}/2 + 0.15$ | V |
| High level output current | I_{OH} | | | | -18 | mA |
| Low level output current | I_{OL} | | | | 18 | mA |
| Operating free-air temperature | T_A | | -40 | | 85 | $^{\circ}\text{C}$ |

Notes:

1. Unused inputs must be held high or low to prevent them from floating.
2. DC input signal voltage specifies the allowable DC execution of differential input.
3. Differential inputs signal voltages specifies the differential voltage [VTR-VCP] required for switching, where VTR is the true input level and VCP is the complementary input level.
4. Differential cross-point voltage is expected to track variations of V_{DDQ} and is the voltage at which the differential signal must be crossing.

ICS97U2A877A

Advance Information



Timing Requirements

$T_A = 0 - 70^\circ\text{C}$ Supply Voltage AVDD, VDDQ = 1.8 V +/- 0.1V (unless otherwise stated)

| PARAMETER | SYMBOL | CONDITIONS | MIN | MAX | UNITS |
|-----------------------------|---------------------|------------------|-----|-----|-------|
| Max clock frequency | freq _{op} | 1.8V±0.1V @ 25°C | 95 | 410 | MHz |
| Application Frequency Range | freq _{App} | 1.8V±0.1V @ 25°C | 160 | 410 | MHz |
| Input clock duty cycle | d _{tin} | | 40 | 60 | % |
| CLK stabilization | T _{STAB} | | | 15 | µs |

NOTE: The PLL must be able to handle spread spectrum induced skew.

NOTE: Operating clock frequency indicates a range over which the PLL must be able to lock, but in which it is not required to meet the other timing parameters. (Used for low speed system debug.)

NOTE: Application clock frequency indicates a range over which the PLL must meet all timing parameters.

NOTE: Stabilization time is the time required for the integrated PLL circuit to obtain phase lock of its feedback signal to its reference signal, within the value specified by the Static Phase Offset ($t_{\Delta E}$), after power-up. During normal operation, the stabilization time is also the time required for the integrated PLL circuit to obtain phase lock of its feedback signal to its reference signal when CK and CK go to a logic low state, enter the power-down mode and later return to active operation. CK and CK may be left floating after they have been driven low for one complete clock cycle.



ICS97U2A877A

Advance Information

Switching Characteristics¹

T_A = 0 - 70°C Supply Voltage AVDD, VDDQ = 1.8 V +/- 0.1V (unless otherwise stated)

| PARAMETER | SYMBOL | CONDITION | (MHz) | MIN | TYP | MAX | UNITS | |
|--|-------------------------------|--------------------------|------------|------------|------|-------|-------|----|
| Output enable time | t _{en} | OE to any output | 160 to 410 | | 4.73 | 8 | ns | |
| Output disable time | t _{dis} | OE to any output | | | 5.82 | 8 | ns | |
| Period jitter | t _{jit(per)} | | 160 to 270 | -40 | | 40 | ps | |
| | | | 271 to 410 | -30 | | 30 | ps | |
| Half-period jitter | t _{jit(hper)} | | 160 to 270 | -60 | | 60 | ps | |
| | | | 271 to 410 | -50 | | 50 | ps | |
| Input slew rate | SLr1(i) | Input Clock | 160 to 410 | 1 | 2.5 | 4 | v/ns | |
| | | Output Enable (OE), (OS) | | 0.5 | | | v/ns | |
| Output clock slew rate | SLr1(o) | 1.5 | | 2.5 | 3 | v/ns | | |
| Cycle-to-cycle period jitter | t _{jit(cc+)} | | | 0 | | 40 | ps | |
| | t _{jit(cc-)} | | | 0 | | -40 | ps | |
| Dynamic Phase Offset | t _{(∅)dyn} | | | 160 to 270 | -50 | | 50 | ps |
| | | | | 271 to 410 | -20 | | 20 | ps |
| Static Phase Offset | t _{SPO} ² | | | 271 to 410 | -50 | 0 | 50 | ps |
| t _{jit(per)} + t _{(∅)dyn} + t _{skew(o)} | ∑(su) | | | | | | 80 | ps |
| t _{(∅)dyn} + t _{skew(o)} | ∑t(h) | | | | | | 60 | ps |
| Output to Output Skew | t _{skew} | | 160 to 270 | | | 40 | ps | |
| | | | 271 to 410 | | | 30 | ps | |
| SSC modulation frequency | | | | 30.00 | | 33 | kHz | |
| SSC clock input frequency deviation | | | | 0.00 | | -0.50 | % | |
| PLL Loop bandwidth (-3 dB from unity gain) | | | | 2.0 | | | MHz | |

Notes:

1. Switching characteristics guaranteed for application frequency range.
2. Static phase offset shifted by design.

ICS97U2A877A

Advance Information



Parameter Measurement Information

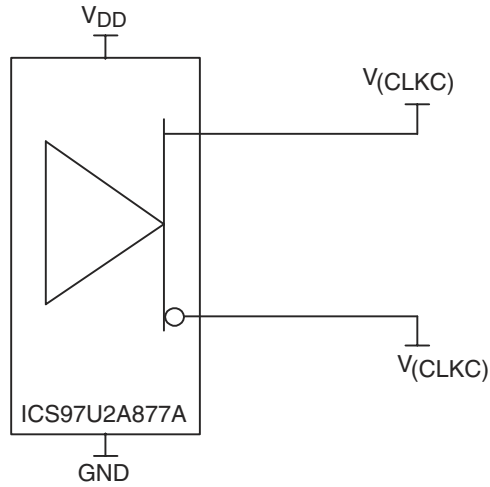


Figure 1. IBIS Model Output Load

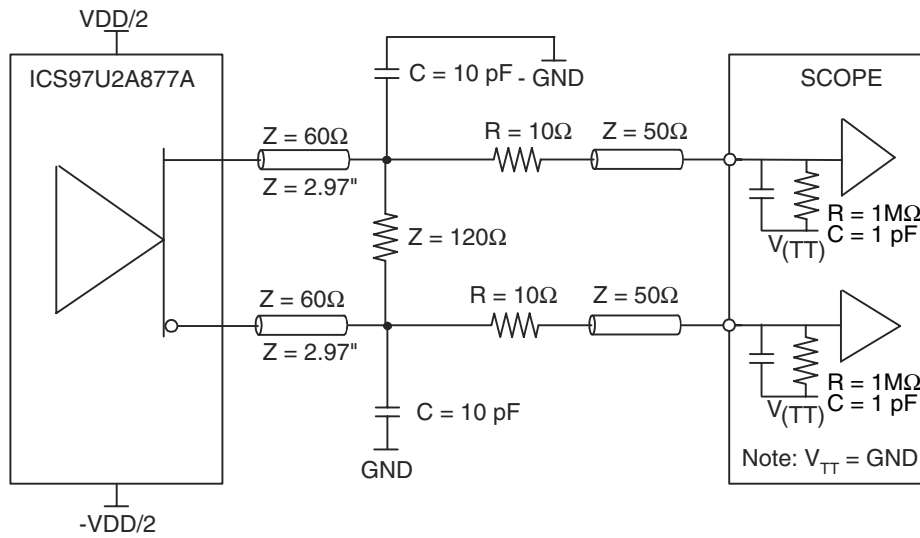


Figure 2. Output Load Test Circuit

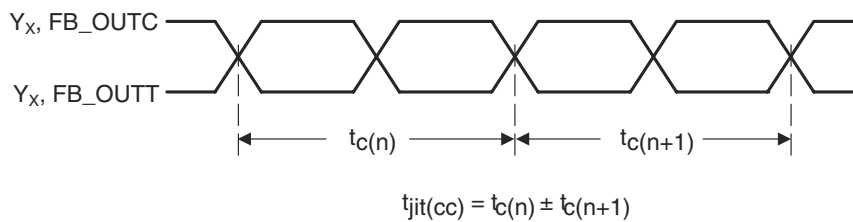


Figure 3. Cycle-to-Cycle Jitter



Parameter Measurement Information

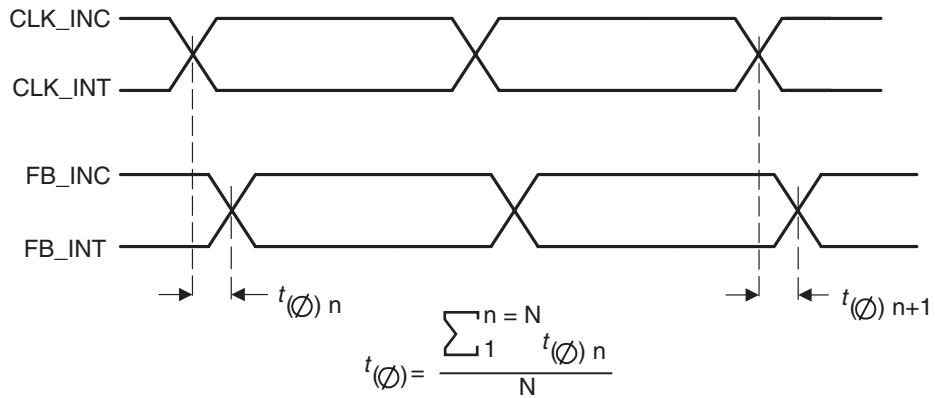


Figure 4. Static Phase Offset

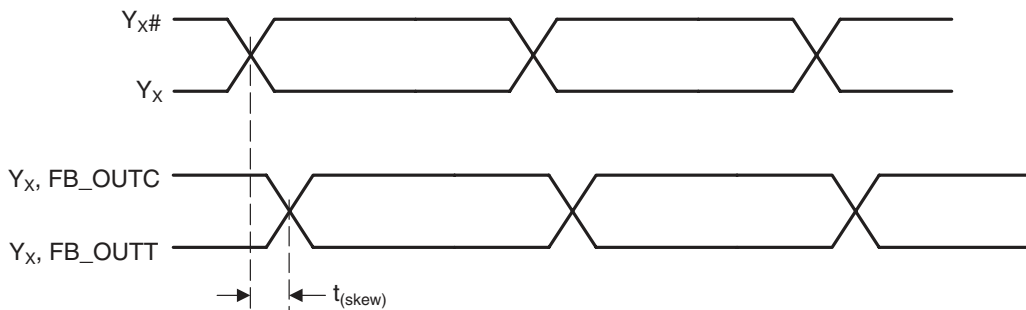


Figure 5. Output Skew

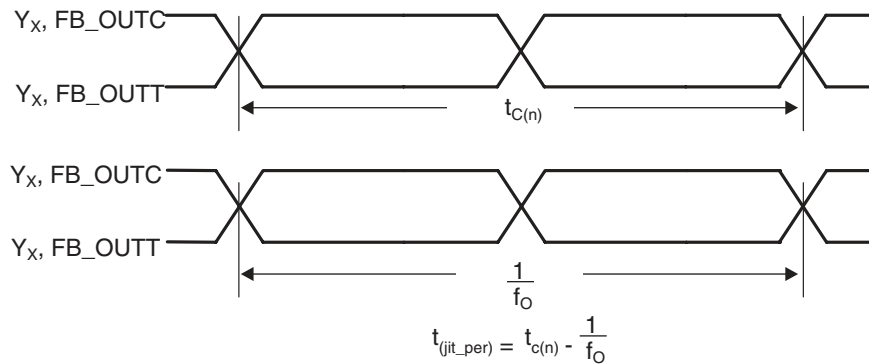


Figure 6. Period Jitter



Parameter Measurement Information

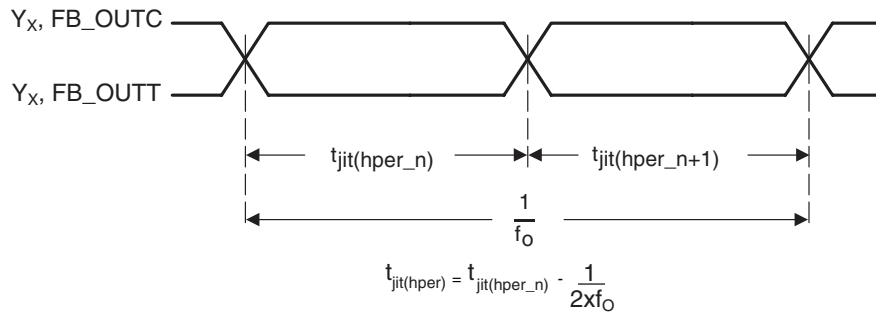


Figure 7. Half-Period Jitter

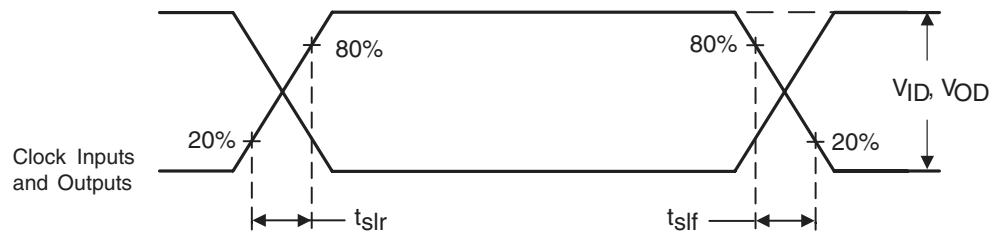


Figure 8. Input and Output Slew Rates

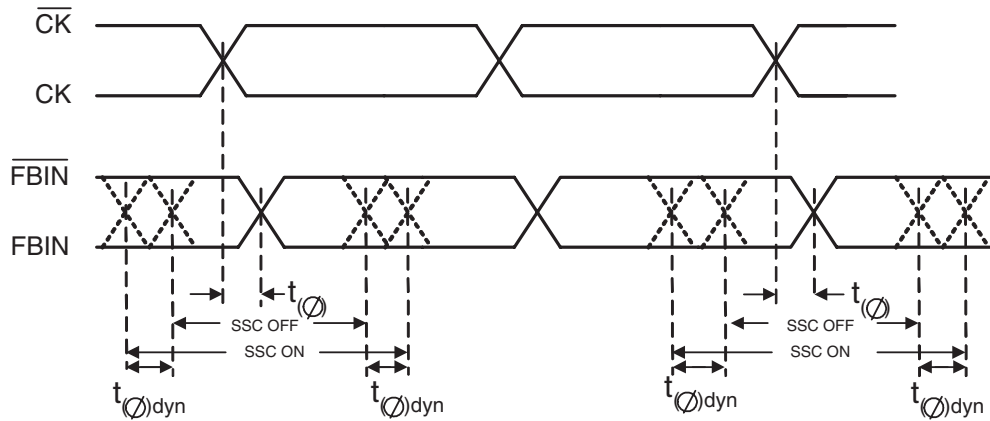


Figure 9. Dynamic Phase Offset

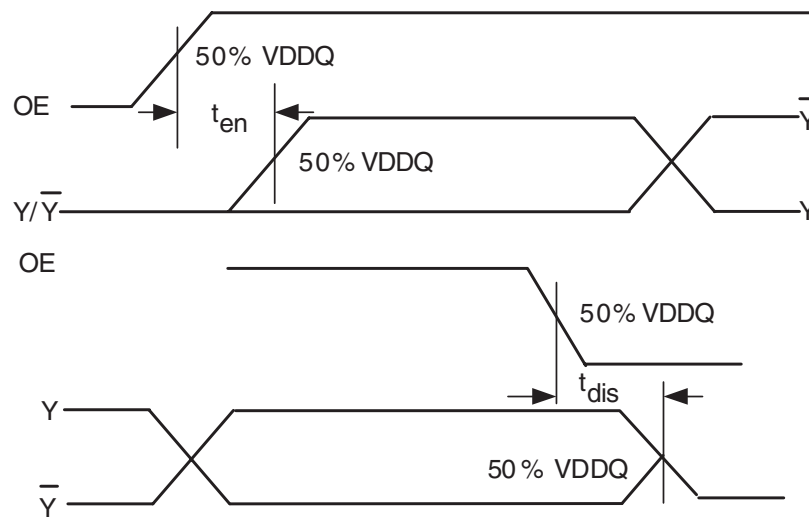


Figure 10. Time delay between OE and Clock Output (Y, \overline{Y})

ICS97U2A877A

Advance Information

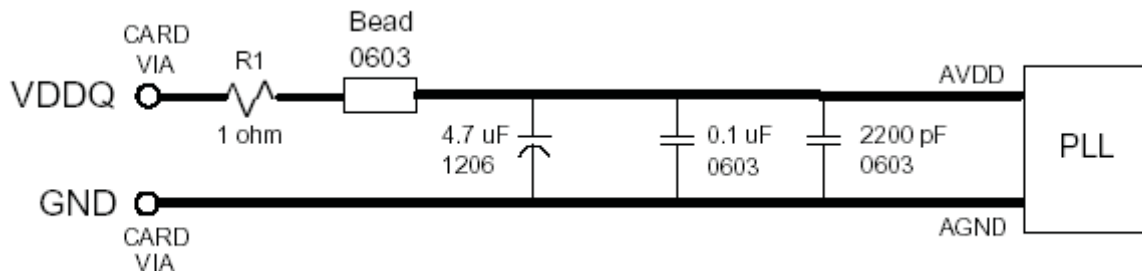
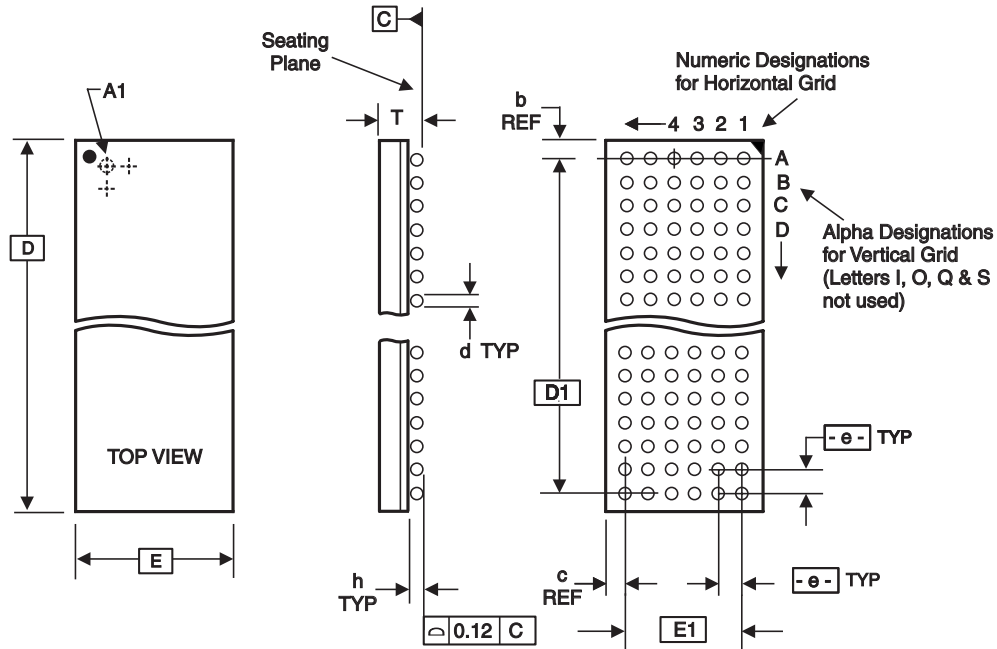


Figure 11. AV_{DD} Filtering

- Place the 2200pF capacitor close to the PLL.
- Use a wide trace for the PLL analog power & ground. Connect PLL & caps to AGND trace & connect trace to one GND via (farthest from PLL).
- Recommended bead: Fair-Rite P/N 2506036017Y0 or equivalent (0.8 Ohm DC max, 600 Ohms @ 100 MHz).



ICS97U2A877A Advance Information



ALL DIMENSIONS IN MILLIMETERS

| D | E | T Min/Max | e | BALL GRID | | Max. TOTAL | d Min/Max | h Min/Max | D1 | E1 | REF. DIMENSIONS | |
|----------|----------|--------------|----------|-----------|------|---------------|--------------|--------------|----------|----------|-----------------|-------|
| | | | | HORIZ | VERT | | | | | | b | c |
| 7.00 Bsc | 4.50 Bsc | 0.86/1.00 | 0.65 Bsc | 6 | 10 | 60 | 0.35/0.45 | 0.15/0.21 | 5.85 Bsc | 3.25 Bsc | 0.575 | 0.625 |

Note: Ball grid total indicates maximum ball count for package. Lesser quantity may be used.

* Source Ref.: JEDEC Publication 95, MO-205*, MO-225**

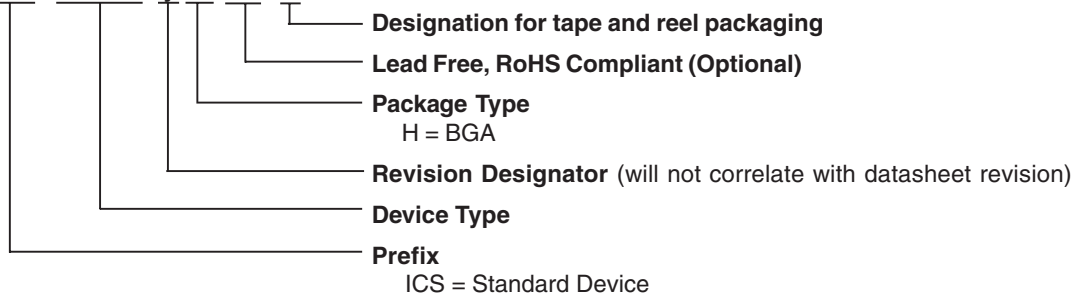
10-0055

Ordering Information

ICS97U2A877AH(LF)-T

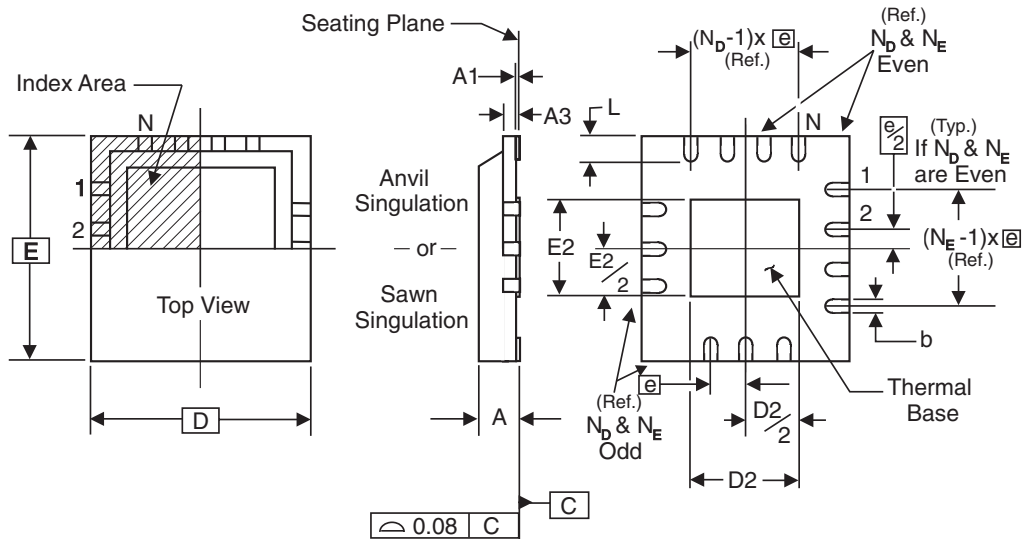
Example:

ICS XXXX y H LF- T



ICS97U2A877A

Advance Information



THERMALLY ENHANCED, VERY THIN, FINE PITCH QUAD FLAT / NO LEAD PLASTIC PACKAGE

ALL DIMENSIONS IN MILLIMETERS

| | | SYMBOL | MIN. | MAX. |
|----------------|-------------|--------|----------------|------|
| N | 40 | | | |
| N_D | 10 | A | 0.80 | 1.00 |
| N_E | 10 | A1 | 0 | 0.05 |
| D x E BASIC | 6.00 x 6.00 | A3 | 0.25 Reference | |
| D2 MIN. / MAX. | 2.75 / 3.05 | b | 0.18 | 0.30 |
| E2 MIN. / MAX. | 2.75 / 3.05 | e | 0.50 BASIC | |
| L MIN. / MAX. | 0.30 / 0.50 | | | |

Source Reference: MLF2™SI
10-0053

Ordering Information

ICS97U2A877AK(LF)-T

Example:

ICS XXXX y K LF- T

- Designation for tape and reel packaging
- Lead Free, RoHS Compliant (Optional)
- Package Type
K = MLF
- Revision Designator (will not correlate with datasheet revision)
- Device Type
- Prefix
ICS = Standard Device