

Fig.2(1:1)

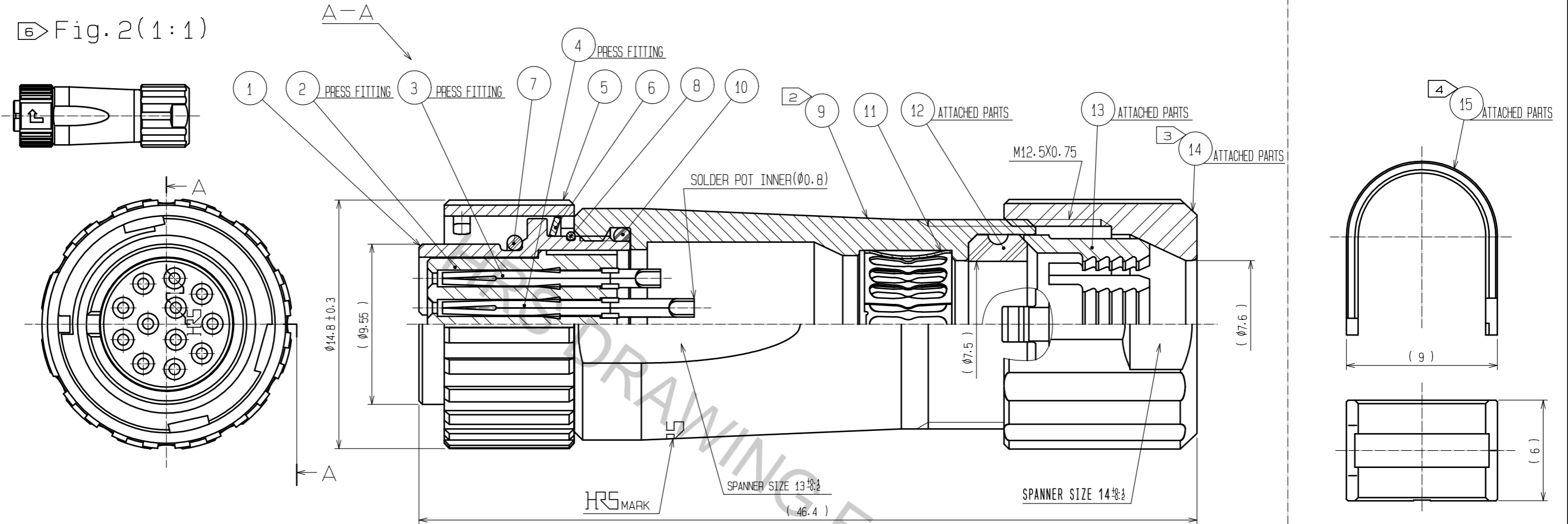
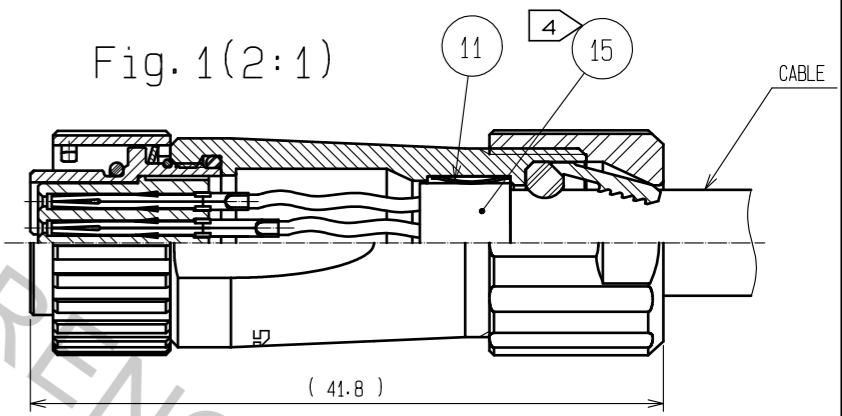


Fig.1(2:1)



- NOTES
- ① PLATING (REF. NO. ③, ④)
 CONTACT AREA : GOLD 0.2μm min
 OTHERS : GOLD AND NICKEL
 UNDER PLATING : NICKEL 2μm min
 - ② THE RECOMMENDED CLAMP TORQUE OF REF. NO. ⑨ TO BE 1 TO 1.5 N · m.
 THREAD LOCKER TO THE THREADED PORTION OF REF. NO. ① IS RECOMMENDED TO PREVENT REF.NO. ⑨ FROM LOOSING.
 RECOMMENDED THREAD LOCKER:LOCTITE 263, HENKEL JAPAN LTD.
 - ③ THE RECOMMENDED CLAMP TORQUE OF REF.NO. ⑭ TO BE 0.8 TO 1N · m.
 THREAD LOCKER AND LOCK PRIMER TO THE THREADED PORTION M12.5×0.75 OF REF. NO. ⑨ IS RECOMMENDED
 TO PREVENT REF.NO. ⑭ FROM LOOSING.
 RECOMMENDED THREAD LOCKER AND LOCK PRIMER : LOCTITE 263, LOCK PRIMER 7649, HENKEL JAPAN LTD.
 - ④ FASTEN REF. NO. ⑮ TO THE CABLE WITH THE CABLE CRIMPING TOOL,
 AND MAKE REF. NO. ⑮ CONTACT WITH REF. NO. ⑩ (REFER TO Fig.1).
 REFER TO THE TECHNICAL SPECIFICATION ETAD-C0099 FOR DETAILS.
 APPLICABLE CABLE CRIMPING TOOL : LF-TC-01 (CL150-0234-6)
 - 5 APPLICABLE CABLE ASSEMBLY FIXTURE : LF10BP-T01 (CL150-0235-9)
 CABLE ASSEMBLY FIXTURE IS USED AS A RECEPTACLE STAND OF EXTRACT AND THE PART NUMBER ① OF AN ASSEMBLY.
 - ⑥ Fig.2 SHOWS THE APPEARANCE AFTER ASSEMBLY.
 - 7 ROTATION EXAMPLES OF REF. NO. ⑤, ⑨ AND ⑭ TO ① ARE SHOWN.
 - 8 CABLE PULL FORCE, TWISTING STRENGTH, WATER TIGHTNESS AND OTHER CHARACTERISTICS MAY DIFFER DEPENDING ON CABLE
 SPECIFICATIONS AND STRUCTURE.
 PLEASE EVALUATE UNDER THE ACTUAL CONDITIONS PRIOR TO USE.

NO.	MATERIAL	FINISH, REMARKS	NO.	MATERIAL	FINISH, REMARKS
8	STAINLESS STEEL		15	BRASS	NICKEL PLATING
7	CHLOROPRENE RUBBER	(BLACK)	14	PPS	(NATURAL·BROWN) UL94V-0
6	STAINLESS STEEL		13	POLYAMIDE	(NATURAL·MILKY WHITE) UL94V-0
5	ZINC ALLOY	BLACK CHROME PLATING	12	CHLOROPRENE RUBBER	(BLACK)
4	PHOSPHOR BRONZE	①	11	PHOSPHOR BRONZE	NICKEL PLATING
3	PHOSPHOR BRONZE	①	10	CHLOROPRENE RUBBER	(BLACK)
2	PPS	(BLACK) UL94V-0	9	ZINC ALLOY	BLACK CHROME PLATING
1	ZINC ALLOY	BLACK CHROME PLATING			

UNITS	SCALE	COUNT	DESCRIPTION OF REVISIONS	DESIGNED	CHECKED	DATE
mm	4 : 1	△				
APPROVED : HY. KOBAYASHI			18.02.21	DRAWING NO. EDC-114242-33-00		
CHECKED : HY. KOBAYASHI			18.02.21	PART NO. LF10WBP-12S(33)		
DESIGNED : TY. SUZUKI			18.02.21	CODE NO. CL136-0007-8-33		
DRAWN : HM. SAITO			18.02.16			