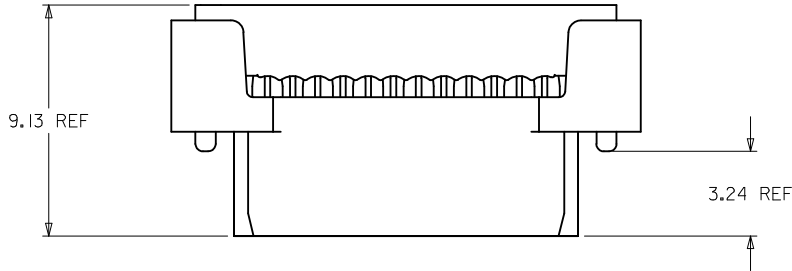


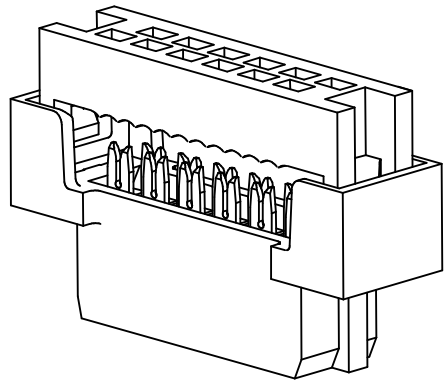
1. MATERIALS:
HOUSING - THERMOPLASTIC, UL94V-0 BLACK
TERMINAL - COPPER ALLOY
2. FINISHES
PLATING 3 - 15uin (0.38um) SELECTIVE GOLD IN CONTACT AREA
AND 75 uin (1.88um) TIN IN IDT AREA OVER
50uin (1.25um) NICKEL OVERALL
PLATING 4 - 30uin (0.76um) SELECTIVE GOLD IN CONTACT AREA
AND 75 uin (1.88um) TIN IN IDT AREA OVER
50uin (1.25um) NICKEL OVERALL
3. PRODUCT SPEC PS-87568-004 APPLIES
4. FOR ILLUSTRATION, CKT I2 IS SHOWN WITH MOLDIN VOID. TERMINALS FULLY LOADED. SEE TABLE FOR MOLDIN CONFIGURATION
5. PART MATES WITH ALL MILLIGRID HEADERS WITH MATING LENGTH BETWEEN 2.50mm AND 4.20mm
6. PART IS DESIGNED FOR 1.00mm PITCH FLAT CABLE, 7 STRANDS, AWG #28, UL2651 AND UL2678

OBS TIN/LEAD P/N EC NO: S2006-0732 DRWN:MLONG 2006/04/03 CHKD:NAGESHKN 2006/04/04 APPR:PTLIM 2006/04/06	QUALITY SYMBOLS ▽=0 ◻=0	GENERAL TOLERANCES (UNLESS SPECIFIED)		DIMENSION STYLE MM ONLY	SCALE NTS	DESIGN UNITS METRIC	THIRD ANGLE PROJECTION	
			mm	INCH	DRAWN BY JAMES	DATE 1998/06/23	TITLE MGRID 2MM DUAL ROW IDT WITH MOLDIN VOID	
		4 PLACES	± ---	± ---	CHECKED BY SQUEK	DATE 1998/07/15	MOLEX INCORPORATED	
		3 PLACES	± ---	± ---	APPROVED BY SKTOH	DATE 1998/07/16		
	2 PLACES	± 0.15	± ---	MATERIAL NO. SEE TABLE		DOCUMENT NO. SD-87568-005	SHEET NO. 1 OF 2	
	1 PLACE	± ---	± ---	DRAFT WHERE APPLICABLE MUST REMAIN WITHIN DIMENSIONS				
		ANGULAR ± 3 °		THIS DRAWING CONTAINS INFORMATION THAT IS PROPRIETARY TO MOLEX INCORPORATED AND SHOULD NOT BE USED WITHOUT WRITTEN PERMISSION				

ENGINEERING NUMBER	MOLDIN VOID POSITION	PLATING OPTION	CKT. SIZE	A	B	C	D	E
87568-7003	20	3	44	50.65	42.00	48.90	45.65	44.55
87568-7004		4						



CABLE LOADED ASSEMBLY
(12 CKT SHOWN FOR ILLUSTRATION ONLY)



ISO VIEW
(12 CKT SHOWN FOR ILLUSTRATION ONLY)

OBS TIN/LEAD P/N EC NO: S2006-0732 DRWN: MLONG CHKD: NAGESHKN APPR: PTLIM	2006/04/03 2006/04/04 2006/04/06	DESCRIPTION REV	QUALITY SYMBOLS	GENERAL TOLERANCES (UNLESS SPECIFIED) <table border="1"> <tr> <td></td> <td>mm</td> <td>INCH</td> </tr> <tr> <td>4 PLACES</td> <td>± ---</td> <td>± ---</td> </tr> <tr> <td>3 PLACES</td> <td>± ---</td> <td>± ---</td> </tr> <tr> <td>2 PLACES</td> <td>± 0.15</td> <td>± ---</td> </tr> <tr> <td>1 PLACE</td> <td>± ---</td> <td>± ---</td> </tr> <tr> <td colspan="3">ANGULAR ± 3 °</td> </tr> </table>		mm	INCH	4 PLACES	± ---	± ---	3 PLACES	± ---	± ---	2 PLACES	± 0.15	± ---	1 PLACE	± ---	± ---	ANGULAR ± 3 °			DIMENSION STYLE	SCALE	DESIGN UNITS	THIRD ANGLE PROJECTION
					mm	INCH																				
			4 PLACES		± ---	± ---																				
			3 PLACES		± ---	± ---																				
2 PLACES	± 0.15	± ---																								
1 PLACE	± ---	± ---																								
ANGULAR ± 3 °																										
	MM ONLY	NTS	METRIC																							
DRAWN BY	DATE	TITLE																								
JAMES	1998/06/23	MGRID 2MM DUAL ROW IDT WITH MOLDIN VOID																								
CHECKED BY	DATE	MOLEX INCORPORATED																								
SQUEK	1998/07/15	MATERIAL NO. DOCUMENT NO. SHEET NO.																								
APPROVED BY	DATE	SD-87568-005 2 OF 2																								
SKTOH	1998/07/16	SEE TABLE																								
DRAFT WHERE APPLICABLE MUST REMAIN WITHIN DIMENSIONS				THIS DRAWING CONTAINS INFORMATION THAT IS PROPRIETARY TO MOLEX INCORPORATED AND SHOULD NOT BE USED WITHOUT WRITTEN PERMISSION																						